



EP20JLi Electric Pallet Jack

Parts Manual

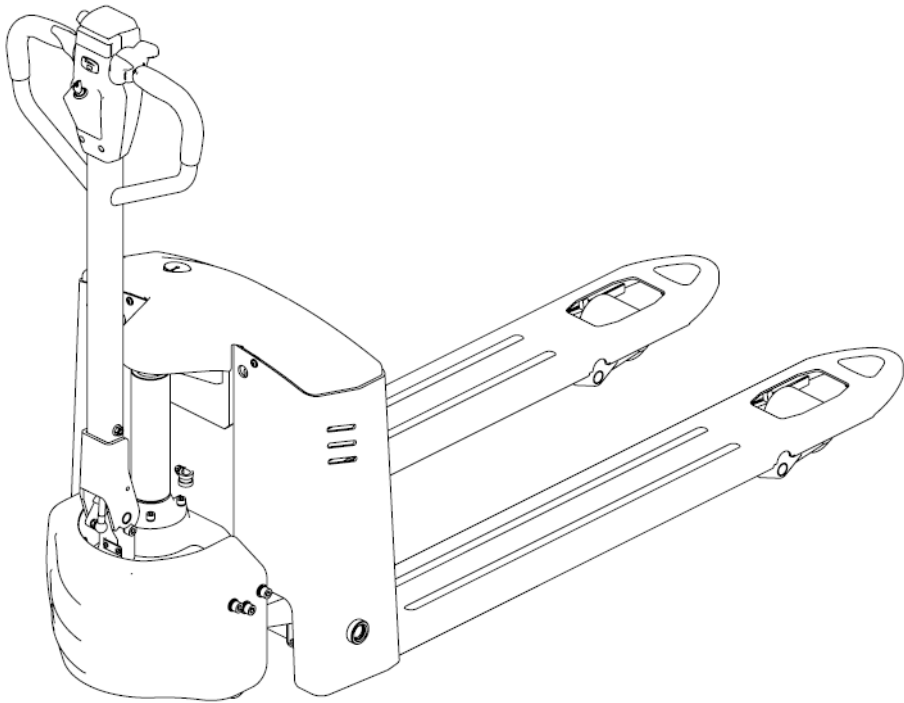
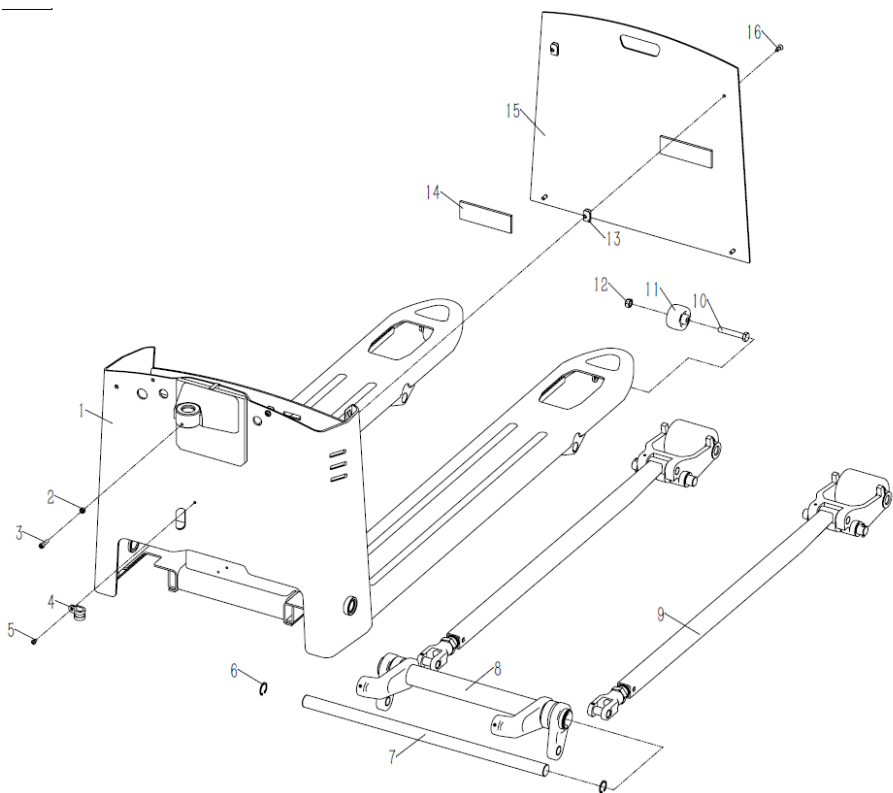


Table of Content

1. Body System	
1.1 Frame System	1
1.2 Connecting Rod Assembly	2
1.3 Cover Assembly	3
2. Driving System	
2.1 Driving System.....	4
2.2 Driving System (Balance Wheel)	5
2.3 Driving Assembly	6
2.4 Balance Wheel Assembly	8
3. Operating System	
3.1 Handle Components	9
3.2 Handle Head Assembly.....	10
4. Hydraulic System	
4.1 Hydraulic System	11
4.2 Oil Cylinder Assembly	12
4.3 Power Unit	13
5. Electric System	
5.1 Electric Assembly.....	14
5.2 Cable Assembly	15
5.3 Wiring Harness Assembly	16

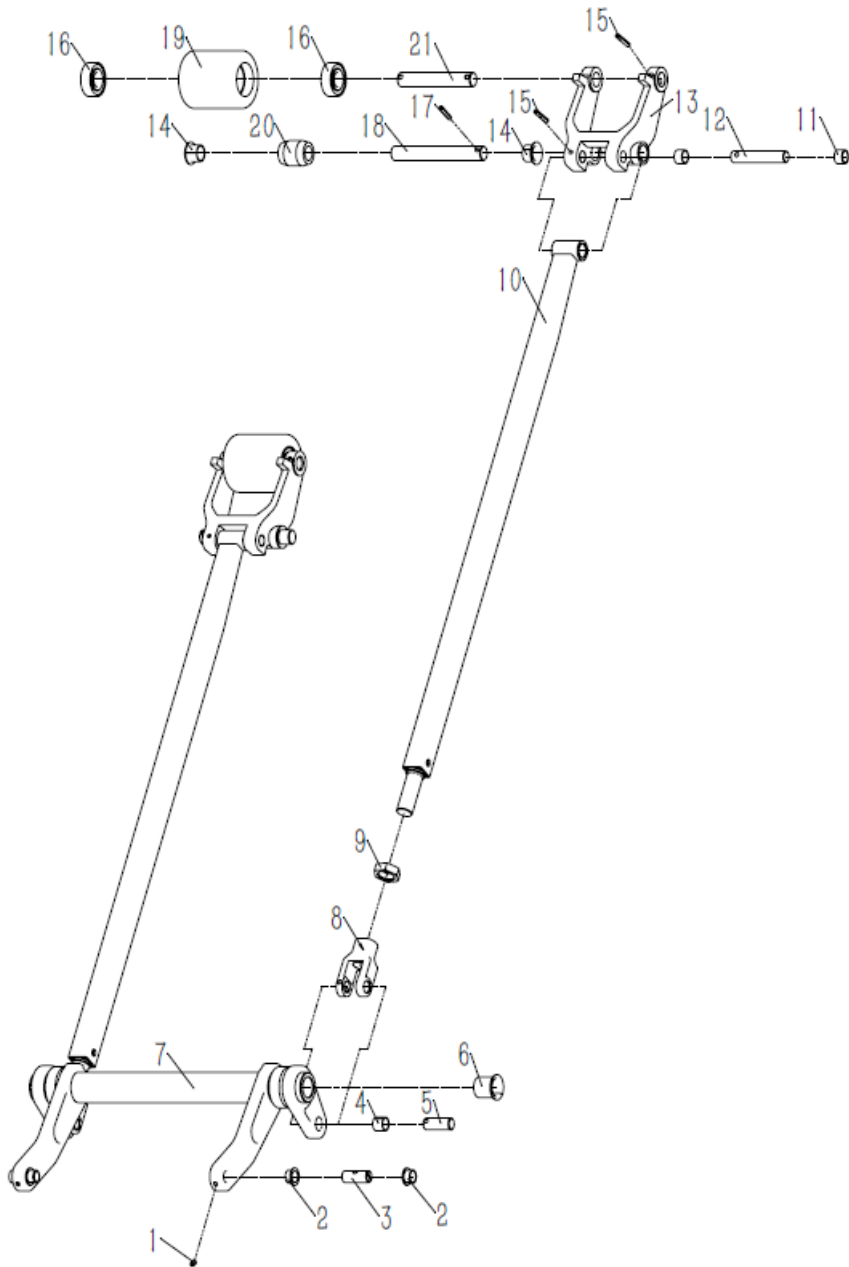
1. Body System
1.1 Frame System



Item	Part No	Description	Qty	Applied Date	Remark
1	33.053.0001	550 Frame	1		
1	33.053.0002	685 Frame	1		
2	03.0257	M6 Nut	1		
3	03.0149	M6x20 Screw	1		
4	03.04617	Φ16 R Hoop	1		
5	03.02260	M5x8 Screw	1		
6	03.0024	Φ25 Circle For Hole	2		
7	30.66.0002	550 Back Shaft	1		
7	40.11.035	685 Back Shaft	1		
8	82.451.0001	550 Ring Rod Assembly	1		
8	82.451.0002	685 Ring Rod Assembly	1		
9	82.14.003	Push Rod Assembly	1		
10	03.1088	M10x60 Bolt	2		
11	40.11.040	Roller	2		
12	03.0243	M10 Nut	2		
13	03.0587	M6 Nut	2		
14	30.46.0056	cushioning	2		
15	30.66.0003	Front Plate	1		
16	03.0227	M6x12 Screw	4		

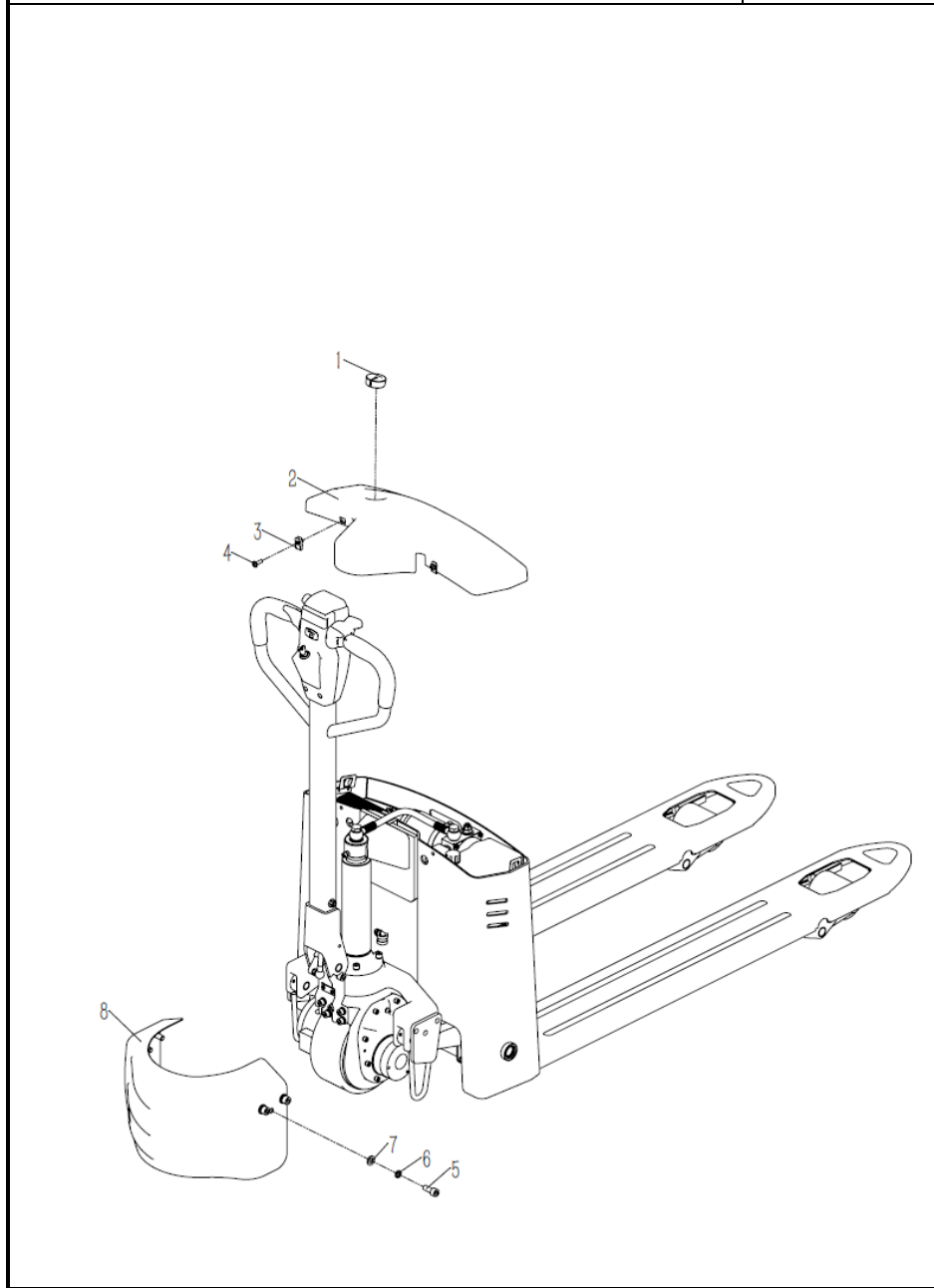


1.2 Connecting Rod Assembly



Item	Part No	Description	Qty	Applied Date	Remark
1	03.0270	M6×8 Screw	4		
2	03.0452	Φ24×Φ18×Φ16×10 Composite Set With Shoulder	4		
3	40.15.011		2		
4	03.0691	Φ16×Φ19×15 Composite Set	2		
5	40.14.052	Shaft	2		
6	03.04422	Φ35×Φ28×Φ25×27 Composite Set With Shoulder	2		
7	33.048.0005	550 Ring Rod	1		
7	33.048.0007	685 Ring Rod	1		
8	40.14.048	Push Rod Bracket	2		
9	03.0943	M22×1.5 Nut	2		
10	33.053.0004	Push Rod Welding	2		
11	03.0451	Φ16×Φ19×12 Composite Set	4		
12	40.11.038	Push Rod Shaft	2		
13	40.11.037	Wheel Bracket	2		
14	03.0453	Φ31×Φ23×Φ20×16.5 Composite Set With Shoulder	4		
15	03.0303	Φ5×35 Cylindrical Pin	4		
16	03.90.057	6204 Bearing	8		
17	03.0305	Φ5×30 Cylindrical Pin	4		
18	40.11.036	Shaft	2		
19	02.LZ.0143	Φ80×85 Small Roller	2		
20	40.11.041	Drop Out Roller	2		
21	30.01.3629	Pin Shaft	2		

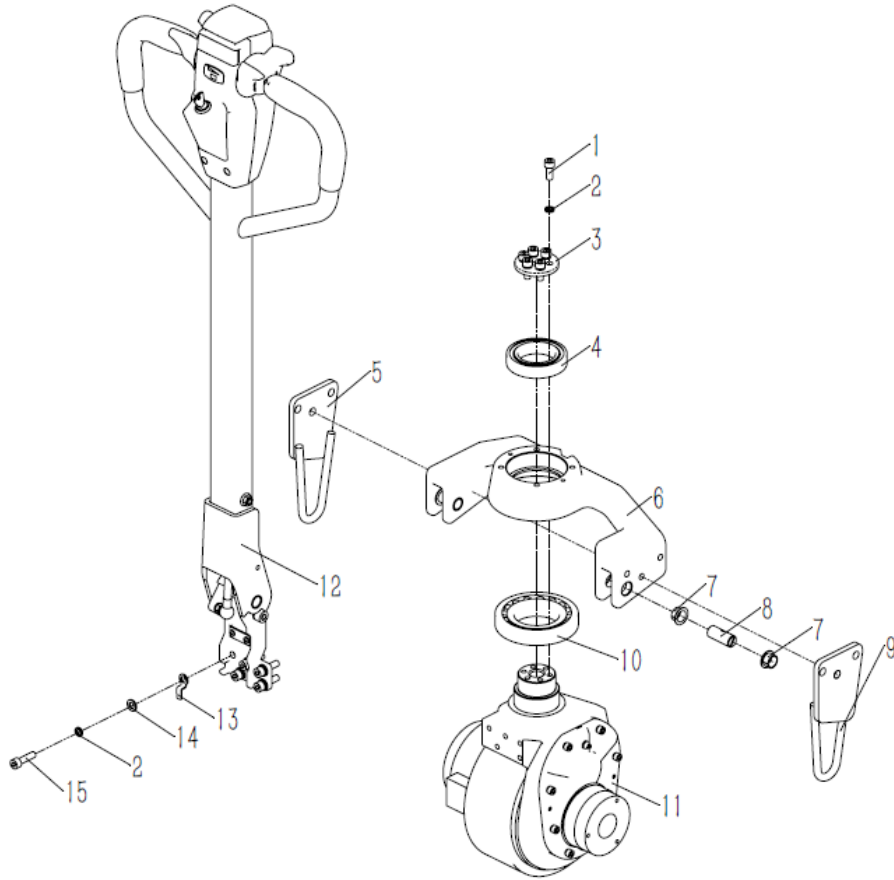
1.3 Cover Assembly



Item	Part No	Description	Qty	Applied Date	Remark
1	02.01.312415	Charger Seat	1		
2	02.FGJ.0005	Cover	1		
3	03.0587	M6 Nut	2		
4	03.0227	M6×12 Screw	2		
5	03.01191	M10×20 Screw	6		
6	03.0014	Φ10 Spring Washer	6		
7	03.0043	Φ10 Flat Washer	6		
8	40.15.056	Cover	1		
8	40.15.008	Cover (With Wheel)	1		

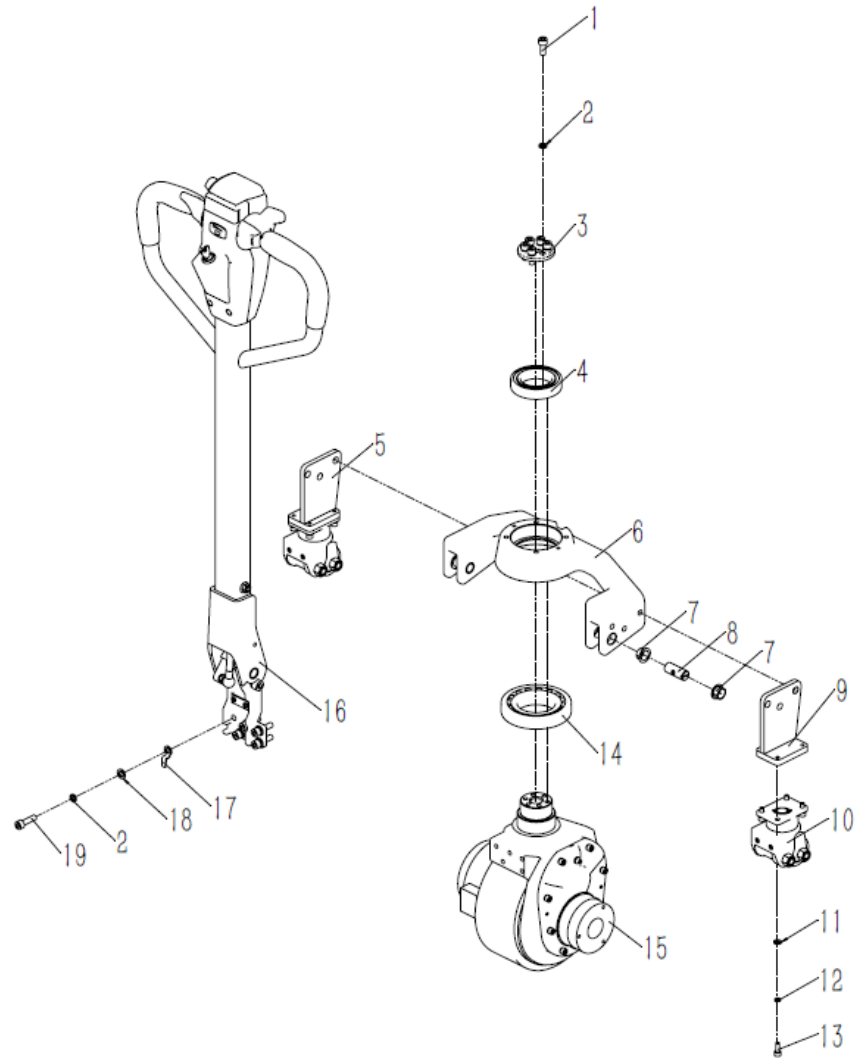


2. Driving System
2.1 01Driving System



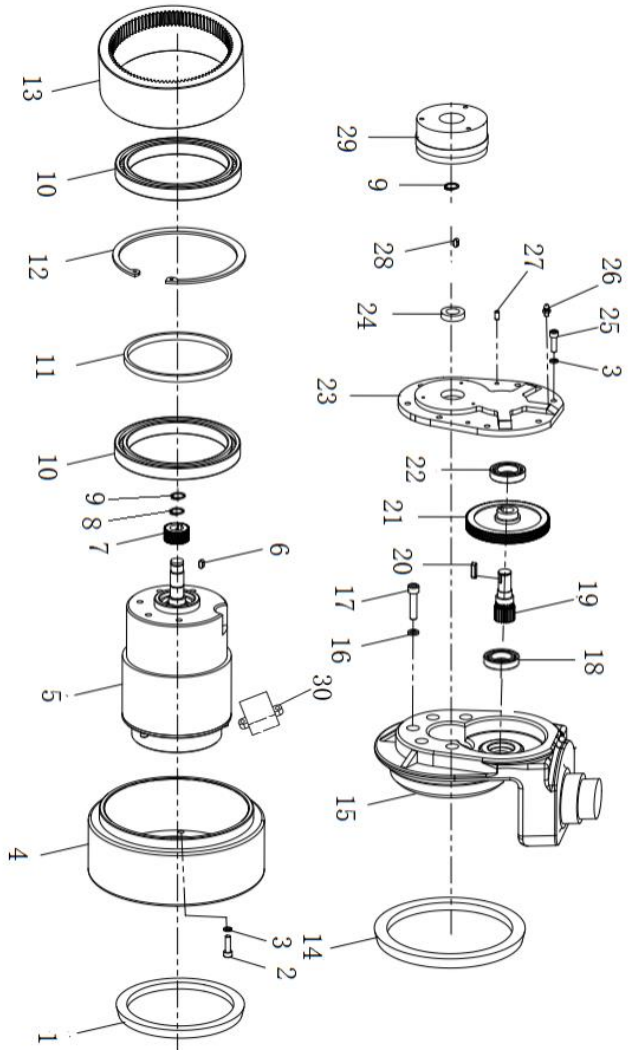
Item	Part No	Description	Qty	Applied Date	Remark
1	03.0154	M8×20 Screw	6		
2	03.0013	Φ8 Spring Washer	11		
3	40.15.009	Drive Clamping Plate	1		
4	03.90.018	6010 Bearing	1		
5	33.048.0001	Balance Frame Left	1		
6	40.15.001	Bearing Bridge	1		
7	03.0452	Φ24× Φ18×Φ16×10 Composite Set With Shoulder	4		
8	40.15.011	Pin	2		
9	33.048.0002	Balance Frame Right	1		
10	03.90.023	30212 Bearing	1		
11	02.QD.0290	48V/0.75KW Driving Assembly	1		
12	82.14.004	Handle Components	1		
13	40.15.052		1		
14	03.0050	Φ8 Flat Washer	5		
15	03.0157	M8×30 Screw	5		

2.2 01Driving System (Balance Wheel)



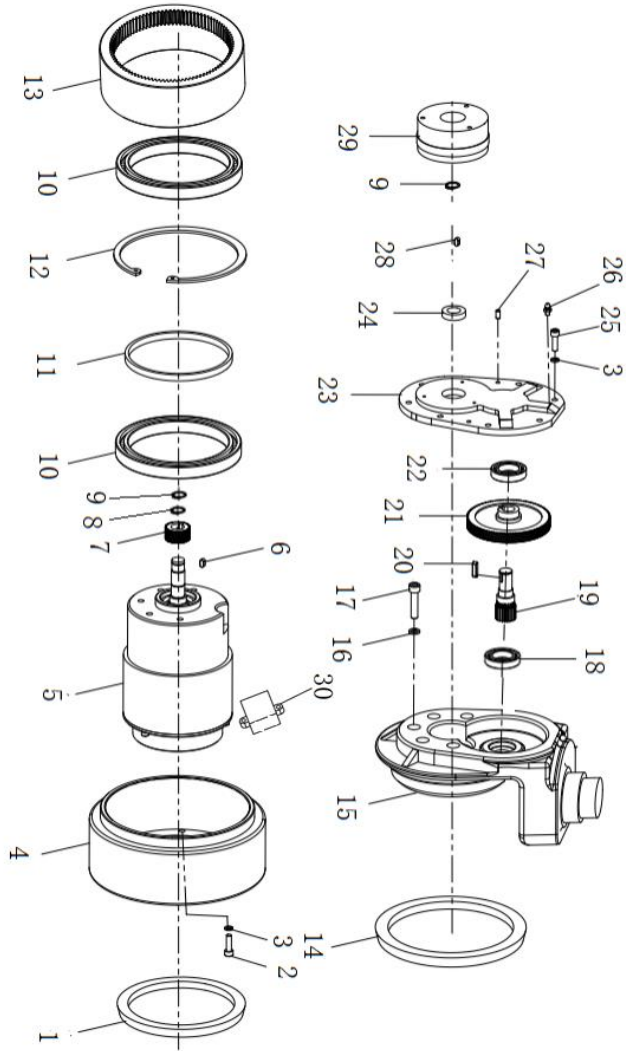
Item	Part No	Description	Qty	Applied Date	Remark
1	03.0154	M8x20 Screw	6		
2	03.0013	Φ8 Spring Washer	11		
3	30.46.0013	Drive Clamping Plate	1		
4	03.90.018	6010 Bearing	1		
5	33.048.0021	Balance Frame Left	1		
6	03.0452	Φ24x Φ18xΦ16x10 Composite Set With Shoulder	4		
7	40.15.011	Pin	2		
8	40.15.001	Bearing Bridge	1		
9	33.048.0022	Balance Frame Right	1		
10	81.005.002	Balance Wheel	2		
11	03.0049	Φ6 Flat Washer	4		
12	03.0011	Φ6 Spring Washer	4		
13	03.0147	M6x16 Screw	4		
14	03.90.023	30212 Bearing	1		
15	02.QD.0290	48V/0.75KW Driving Assembly	1		
16	82.14.004	Handle Components	1		
17	40.15.052		1		
18	03.0050	Φ8 Flat Washer	5		
19	03.0157	M8x30 Screw	5		

2.3 Driving Assembly



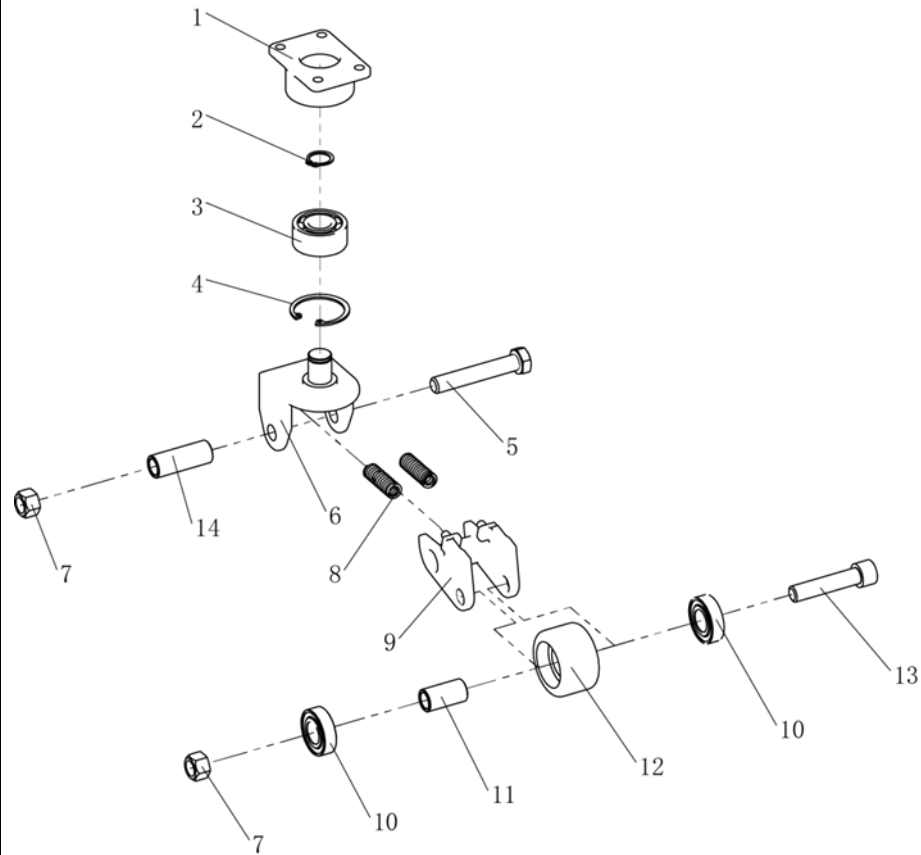
Item	Part No	Description	Qty	Applied Date	Remark
1	02.01.3703	Oil Seal	1		
2	03.0147	M6x16 Screw	8		
3	03.0011	Φ6 Spring Washer	16		
4	02.QDL.0272	Driving Wheel	1		
5	02.DJ.33636	Motor	1		
6	03.0716	Flat Key Pin	1		
7	02.01.00702	Driving Helical Gear	1		
8	03.0062	Φ16 Circlip For Shaft	1		
9	03.0061	Φ15 Circlip For Shaft	2		
10	02.01.006810	61824 Bearing	2		
11	02.01.9294	Spacer	1		
12	03.0709	Φ150 Circlip For Hole	1		
13	02.01.00687	Internal Gear	1		
14	02.01.3681	Big Oil Seal	1		
15	02.01.9267	Gearbox	1		
16	03.0012	Φ8 Spring Washer	5		
17	03.0157	M8x30 Screw	5		
18	03.90.074	16003 Bearing	1		
19	02.01.00701	Transmission Gear	1		
20	03.0717	Flat Key Pin	1		
21	02.01.00703	Passive Helical Gear	1		
22	03.90.075	61905 Bearing	1		
23	02.01.210707	Gearbox Cover	1		
24	03.0719	Oil Seal	1		
25	03.0149	M6x20 Screw	8		
26	03.0506	Grease Fitting	1		

2.3 Driving Assembly



Item	Part No	Description	Qty	Applied Date	Remark
27	03.04350	Φ5×20 Cylindrical Pin	2		
28	03.0975	Flat Key Pin	1		
29	02.01.3596	Brake Assembly	1		
30	02.01.0284	Terminal Box	1		

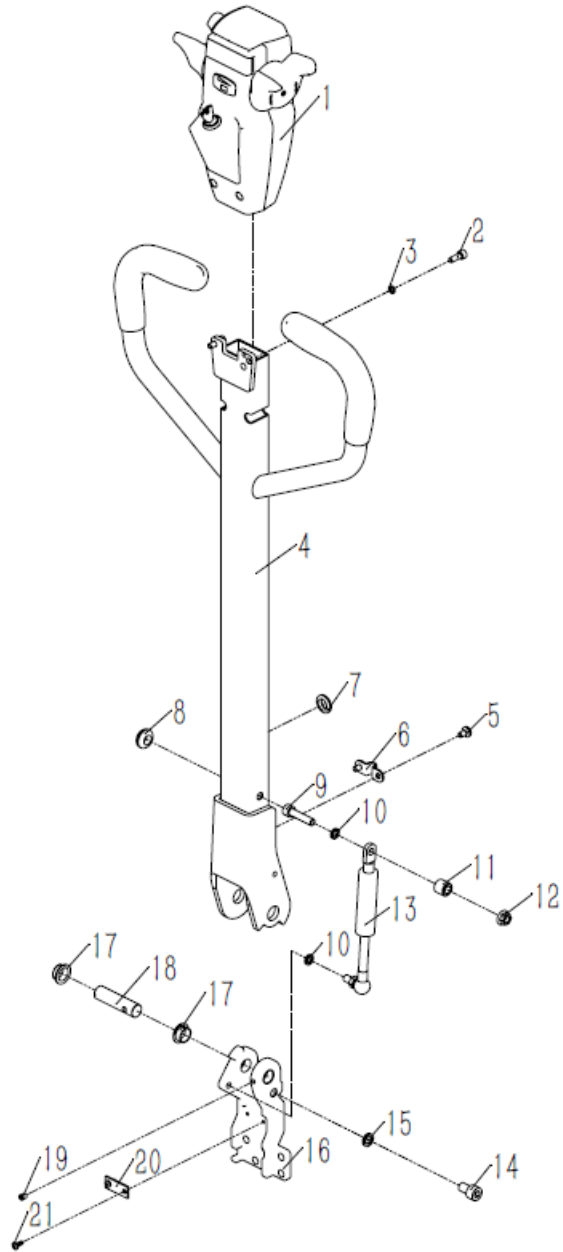
2.4 01Balance Wheel Assembly



Item	Part No	Description	Qty	Applied Date	Remark
1	40.11.044	Flange	1		
2	03.0063	Φ17 Circlip For Shaft	1		
3	03.90.0011	3203 Bearing	1		
4	03.0027	Φ40 Circlip For Hole	1		
5	03.0372	M12x70 Bolt	1		
6	40.11.049	Bracket	1		
7	03.0245	M12 Nut	2		
8	03.04790	Spring	2		
9	40.11.048	Wheel Frame	1		
10	03.90.042	6003 Bearing	2		
11	40.11.045	Shaft Sleeve	1		
12	02.01.3368	Balance Wheel	1		
13	03.01731	M12x55 Screw	1		
14	40.11.082	Wheel Frame Bushing	1		

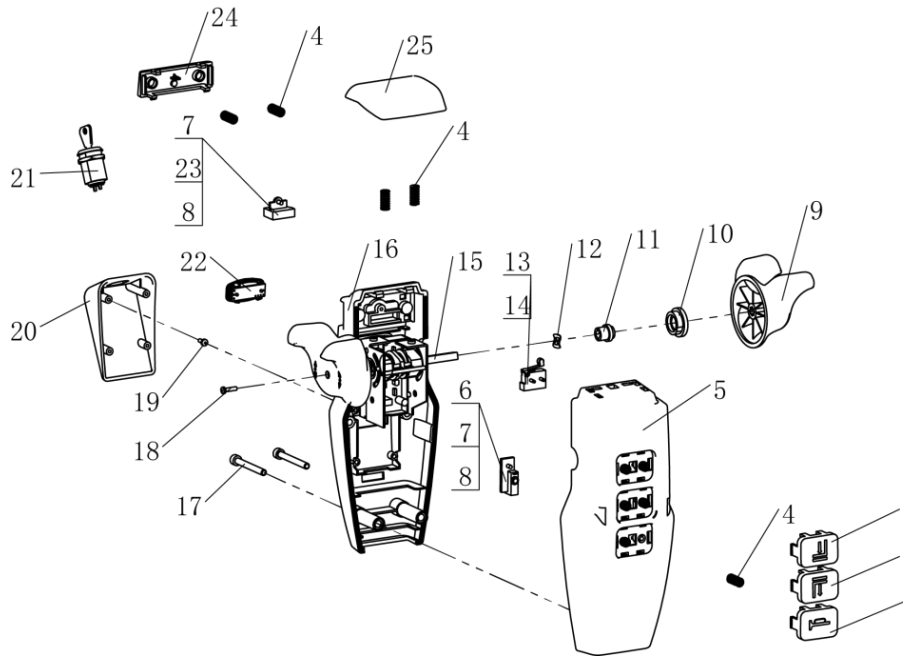
3. Operating System

3.1 Handle Assembly



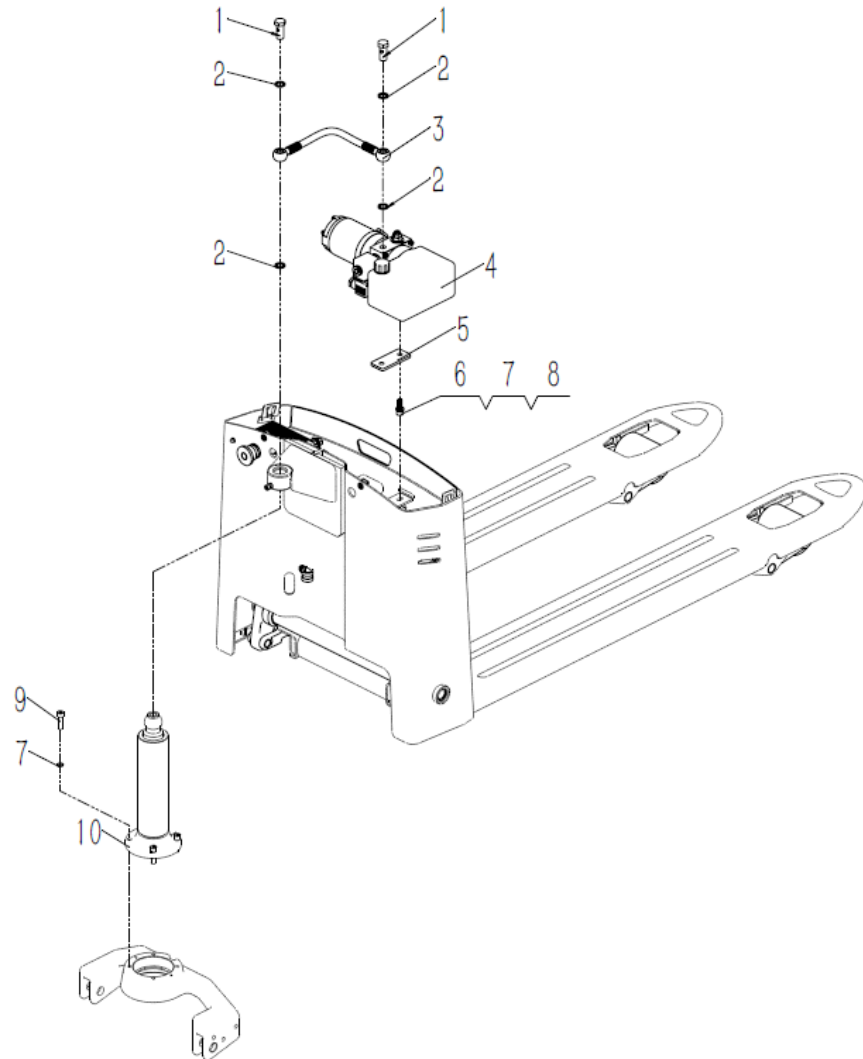
Item	Part No	Description	Qty	Applied Date	Remark
1	02.SB.3193	(48V) Handle Components	1		
2	03.0147	M6×16 Screw	2		
3	03.0011	Φ6 Spring Washer	2		
4	33.028.0014	Handle Bar	1		
5	03.0621	M6×10 Screw	2		
6	03.04610	Φ8 Clamp	1		
7	02.01.9302		1		
8	02.01.2133	cushioning	1		
9	03.0158	M8×35 Screw	1		
10	03.0012	Φ8 Spring Washer	2		
11	40.15.006	Sleeve	1		
12	03.0425	M8 Nut	1		
13	02.QTH.3634	700N spring assembly	1		
14	03.0162	M10×16 Screw	1		
15	03.0014	Φ10 Spring Washer	1		
16	40.15.004	Joint seat	1		
17	03.0452	Φ24x Φ18×Φ16×10 Composite Set With Shoulder	2		
18	40.15.005	Shaft	1		
19	03.0270	M6×8 Screw	2		
20	40.11.064	plate	1		
21	03.0230	M4×10 Screw	2		

3.2 Handle Head Assembly



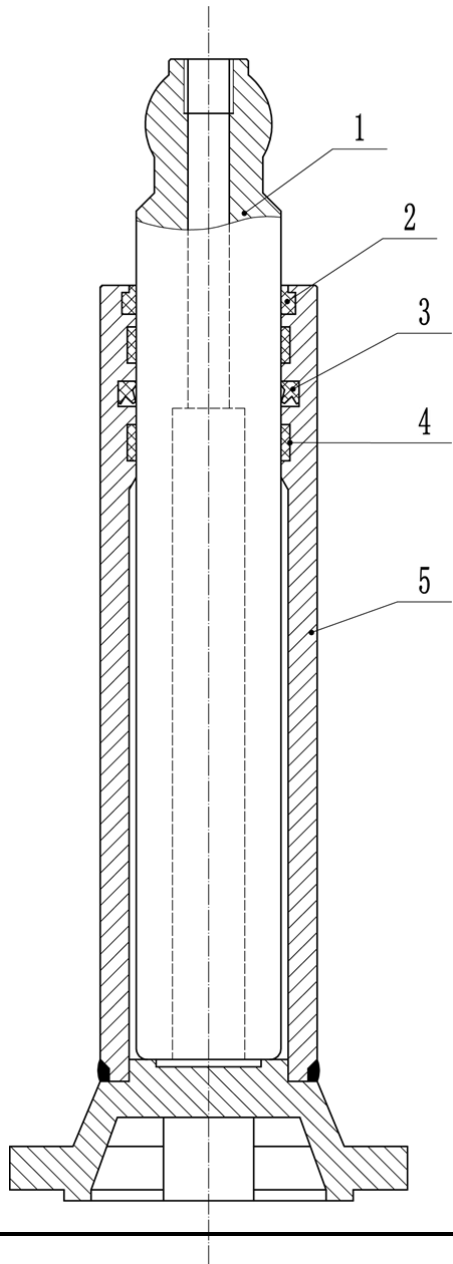
Item	Part No	Description	Qty	Applied Date	Remark
1	02.SB.PJ.0004	Horn Button	1		
2	02.SB.PJ.0005	Rising Button	1		
3	02.SB.PJ.0009	Decline Button	1		
4	02.SB.PJ.0010	7x16 Spring	10		
5	02.SB.PJ.0002	Upper Cover	1		
6	02.SB.PJ.0006	Micro Switch Card	3		
7	02.SB.PJ.0007	Micro Switch	4		
8	02.SB.PJ.0012	ST2.9x9.5 Screw	4		
9	02.SB.PJ.0027	Accelerator Knob	2		
10	02.SB.PJ.0025	Shaft Jacket	2		
11	02.SB.PJ.0024	Shaft Sleeve	2		
12	03.0735	Spring Washer	2		
13	02.SB.PJ.0008	Switch	1		
14	02.SB.PJ.0011	ST2.2x13 Screw	2		
15	02.SB.PJ.0033	Accelerator	1		
16	02.SB.PJ.0014	Lower Cover	1		
17	03.0134	M5x45 Screw	2		
18	03.05364	M3x12 Screw	2		
19	02.SB.PJ.0021	ST2.9x13 Screw	2		
20	02.SB.PJ.0017	Key Box	1		
21	02.SB.PJ.0018	Key Switch	1		
22	02.SB.PJ.0019	Electricity Meter	1		
23	02.SB.PJ.0016	Mode Button Card	1		
24	02.SB.PJ.0015	Mode Button	1		
25	02.SB.PJ.0003	Belly Switch	1		

4. Hydraulic System
4.1 Hydraulic System



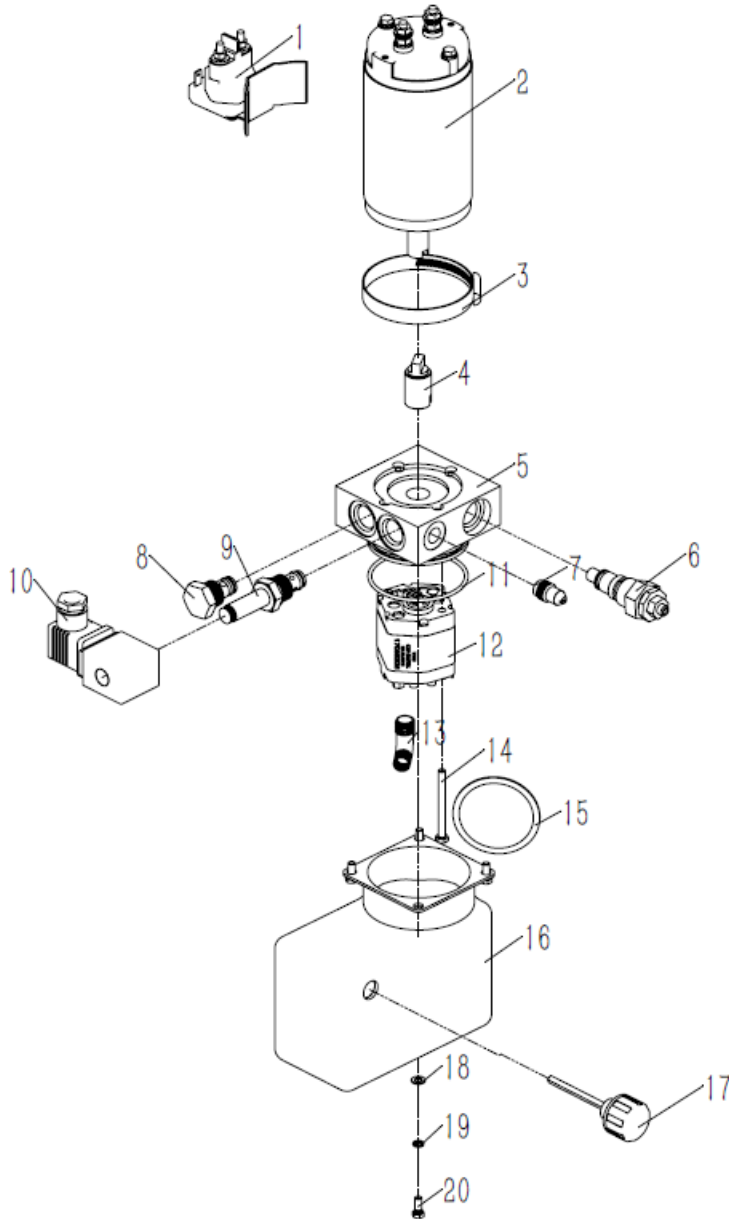
Item	Part No	Description	Qty	Applied Date	Remark
1	02.01.30810	Bolt	2		
2	03.0482	Φ14 Gasket	4		
3	02.YYL.20352	Lifting tubing	1		
4	02.DLDY.3476	48V/0.75KW Power Unit	1		
5	03.09.0003	cushioning	1		
6	03.0156	M8×25 Screw	2		
7	03.0013	Φ8 Spring Washer	6		
8	03.0050	Φ8 Flat Washer	2		
9	03.0157	M8×30 Screw	4		
10	02.YG.2129	Cylinder	1		
11					
12					
13					
14					
15					
16					
17					
18					
19					
20					
21					
22					
23					
24					
25					
26					
27					

4.2 Oil Cylinder Assembly



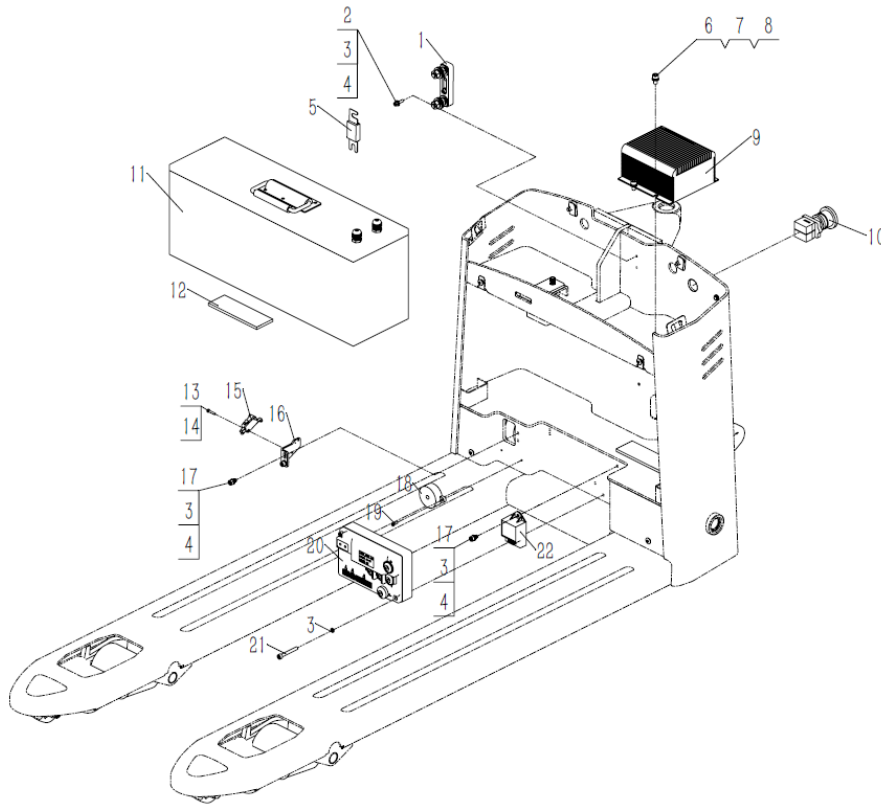
Item	Part No	Description	Qty	Applied Date	Remark
1	30.66.0004	Plunger Lever	1		
2	02.01.2114	40×48×5/6.5 Dust Ring	1		
3	02.01.0002	40×48×5.8 Gasket	1		
4	02.01.9195	45×40×9.7 Support Ring	2		
5	33.048.0020	Cylinder	1		

4.3 Power Unit



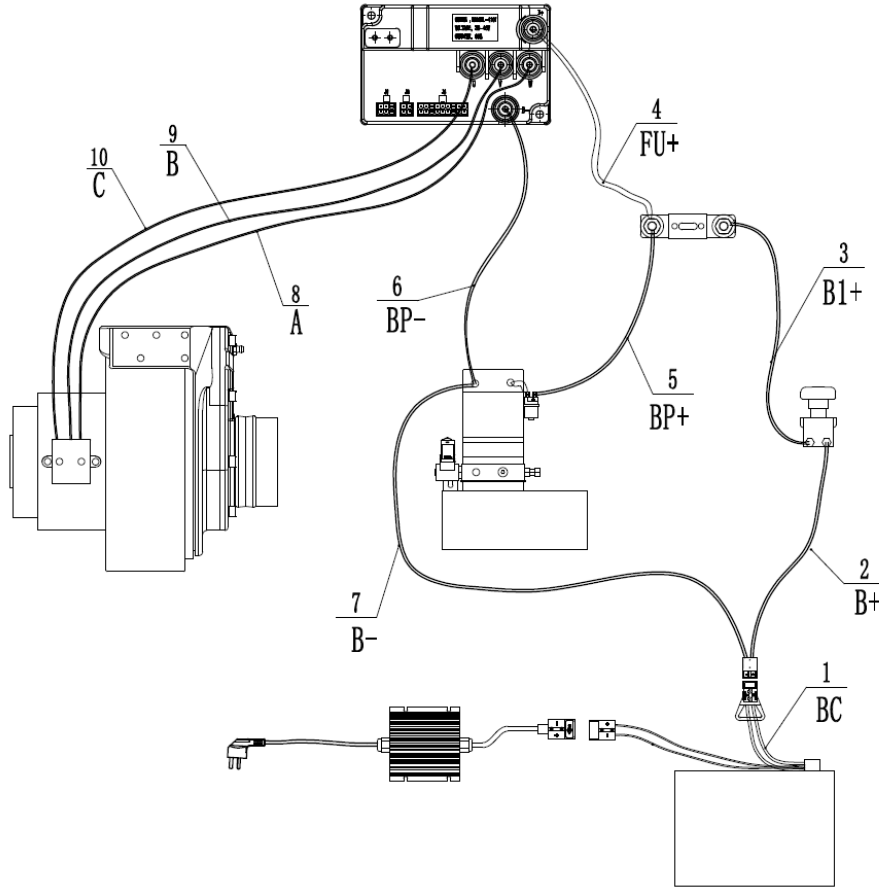
Item	Part No	Description	Qty	Applied Date	Remark
1	02.01.9343	48V Contactor	1		
2	02.DJ.0004	48V Motor	1		
3	03.1045	Hoop	1		
4	02.01.9332	Coupler	1		
5	02.01.9336	Center Block	1		
6	02.01.90291	Overflow Valve	1		
7	02.01.9352	G1/4 Pressure Filling Valve	1		
8	02.01.9028	Check Valve	1		
9	02.01.9334	Solenoid Valve	1		
10		The electromagnetic coil	1		
11	02.01.9317	67×2.65 O-Ring	1		
12	02.01.9059	Gear Pump	1		
13	02.01.0340	Suction Oil Hose	1		
14	03.03646	M5×60 Screw	2		
15	02.01.9051	Suction Filer	1		
16	02.01.9339	Oil Tank	1		
17	02.01.30423	Fuel Tank Cap	1		
18	03.0055	Φ5 Flat Washer	4		
19	03.0007	Φ5 Spring Washer	4		
20	03.04090	M5×12 Screw	4		

5. Electric System
5.1 Electric Assembly



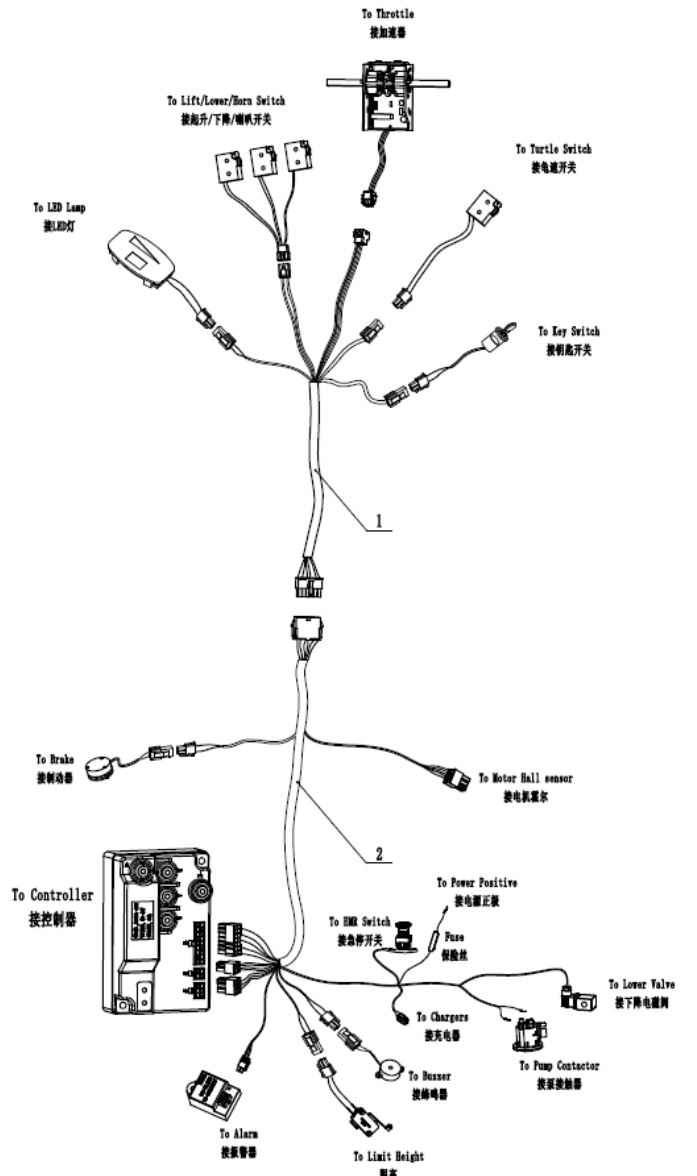
Item	Part No	Description	Qty	Applied Date	Remark
1	02.01.3057	Fuse Base	1		
2	03.0133	M5×16 Screw	2		
3	03.0007	Φ5 Spring Washer	6		
4	03.0055	Φ5 Flat Washer	4		
5	19.03450	CNP-100A Fuse	1		
6	03.0145	M6×12 Screw	5		
7	03.0011	Φ6 Spring Washer	5		
8	03.0049	Φ6 Flat Washer	5		
9	02.CDQ.0006	48V/5A Charger	1		
10	02.01.9397	Emergency Stop	1		
11		48V/20Ah Lithium Battery	1		
12		48V/30Ah Lithium Battery	1		
12	30.46.0056	cushioning	2		
13	03.05360	M3×16 Screw	2		
14	03.00091	Φ3 Spring Washer	2		
15	02.01.2178	Micro Switch	1		
16	30.66.0018	Plate	1		
17	03.0139	M5×10 Screw	2		
18	19.03621	Buzzer	1		
19	03.02151	M3×8 Screw	2		
20	02.KZQ.2159	Controller	1		
21	03.01340	M5×35 Screw	2		
22	02.01.2216	Lift lock relay	1		

5.2 Cable Assembly



Item	Part No	Description	Qty	Applied Date	Remark
1	B1	Discharge Plug	1		
2	BC	Charge Plug	1		
3	B2	02.XSXC.PJ.40761	Battery-Emergency Stop	1	
4	B2+	02.XSXC.PJ.4086	Emergency Stop-Fuse	1	
5	FU+	02.XSXC.PJ.4090	Fuse- Controller	1	
6	BP+	02.XSXC.PJ.4088	Fuse-Pump Motor	1	
7	BP-	02.XSXC.PJ.4087	Battery- Pump Motor	1	
8	A	02.XSXC.PJ.4092	A Walking Motor Wire	1	
9	B	02.XSXC.PJ.4093	B Walking Motor Wire	1	
10	C	02.XSXC.PJ.4094	C Walking Motor Wire	1	

5.3 Wiring Harness Assembly



Item	Part No	Description	Qty	Applied Date	Remark
1	02.XSXC.PJ.0062	Handle Wiring Harness	1		
2	02.XSXC.PJ.0063	Control Wiring Harness	1		



