

# EKKO<sup>®</sup>

MATERIAL HANDLING EQUIPMENT

**MOVING AHEAD**

# COUNTERBALANCE STACKER

EK14C-130LI / EK14CS-130LI / EK14CS-189LI



- Load Capacity 3000 lbs.
- Lift Height 130-189"
- EPS (Elec. Power Steer)
- Length 118.11 - 122 in.
- Curtis Instrument Controller
- AC Drive Motor
- Lithium Battery & Charger Included
- With or without Side Shift

# Counterbalance Stacker

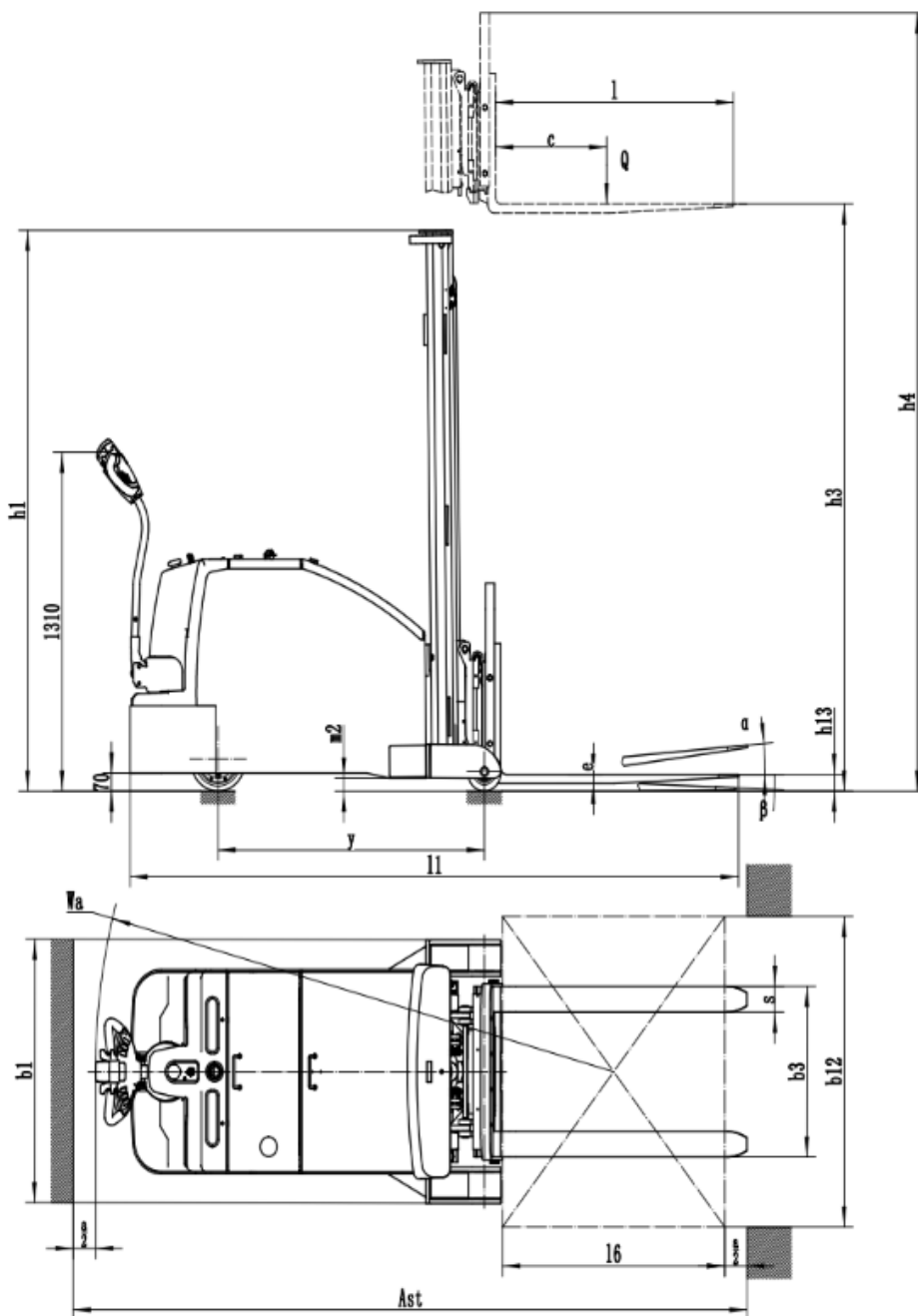


EK14C-130LI / EK14CS-189LI

Manufacturer	EKKO LIFTS		
Model		EK14C-130LI & EK14CS-130LI	EK14CS-189LI
Power Type	Electric		
Operating Mode	Walk-behind		
Rated Load Capacity	Q (lb.)	3000	
Load Center Distance	c (in)	24	
Wheelbase	y (in)	44.65	47.24
Tire Type, Drive Wheel/Load Wheel	Polyurethane Tires		
Drive Wheel Size (Diameter × Width)	in	Φ9.84 x 2.76	
Load Wheel Size (Diameter × Width)	in	Φ5.91 x 3.94	
Number of Vehicles, x = Drive Wheel	1X+2		
Mast		Double Mast	Triple Mast
Lowered Mast	h1 (in)	85.63	84.25
Lift Height	h3 (in)	130	189
Maximum Height When Mast is Extended	h4 (in)	158.66	217.24
Minimum Fork Height	h13 (in)	2.56	
Overall Length	l1 (in)	118.11	122.63
Fork Dimensions	s/e/l	1.38 x 3.94 x 42.13	
Fork Adjustment Range (Fork Outer Width)	b5 (in)	8.66 - 25.98	
Minimum Ground Clearance at Wheelbase Center	m2(in)	1.97	
Minimum Turning Radius	Wa(in)	66.34	68.9
Travel Speed, Laden/Unladen	mph	2.17 / 2.36	
Lift Speed, Laden/Unladen	in/s	2.95/3.94	
Climbing Speed, Laden/Unladen	%	6/10	
Service Brake	Electromagnetic brake		
Drive Motor Power	kw	1.5	
Lift Motor Power	kw	2.2	
Battery Voltage/Rated Capacity	(V)/(Ah)	Lithium 24/150	
Type of Drive Control	AC		
Steering Type	EPS		
Synchronous Proportional Lift Control Valve		NO	YES

# Counterbalance Stacker

EK14C-130LI / EK14CS-189LI



MODEL #	LOAD	MAST	LIFT HEIGHT	Side Shift Yes/No	TOTAL LENGTH	SERVICE WEIGHT
EK14C-130Li	3000 lbs.	85.63"	130"	NO	118.11"	4230 Lbs.
EK14CS-130LI	3000 lbs.	85.63"	130"	YES	118.11"	4330 Lbs.
EK14CS-189LI	3000 lbs.	84.25"	189"	YES	122.63"	4145 Lbs.