

EKKO[®]

MATERIAL HANDLING EQUIPMENT.

MOVING AHEAD

LITHIUM PALLET JACKS EPF15LI / EPF18LI / EPF20LI

- LITHIUM 48V Powered
- 3300-4400 lb. Capacity
- Forks 27x45"
- Polyurethane Wheels
- Pinwheel Capability
- Electromagnetic Braking
- Lithium Iron Phosphate
24V/30Ah, 24V/40Ah, 48V/30Ah
- Battery and Charger Included
- 3 Year Limited Warranty



EPF15LI / EPF18LI / EPF20LI

Quicker charge, Longer battery life, Superior quality, maneuverable, compact, and durable for all your material handling applications.

WEIGHT CAPACITY: 3300-4400 lbs.

LIFT HEIGHT: 7.87"

FORK LENGTH: 27x45"

TURNING RADIUS: 57.8"

BATTERY / CHARGER: LITHIUM IRON PHOSPHATE
24V/30Ah-40Ah, 24-volt and 48V/30Ah

SPEED TRAVEL: 4.5 mph empty ; 4.2 mph loaded

LIFTING SPEED: 1.1 ips empty; .8 ips loaded

LOWERING SPEED: 1.5 ips empty; 1.5 ips loaded

DRIVE WHEELS: 9.84" x 2.91" polyurethane

LOAD WHEELS: (2) 3.15" x 3.35" polyurethane

HYDRAULICS LIFTING MOTOR: 24V 800 Watt lifting motor with hardened chrome moly steel for durability.

DRIVE MOTOR: 24V/750-Watt drive motor for efficiency and high torque.

CONTROLLER: 24V provides performance through entire range of speed; Constant travel speed regardless of load; Battery discharge indicator combination gauge.

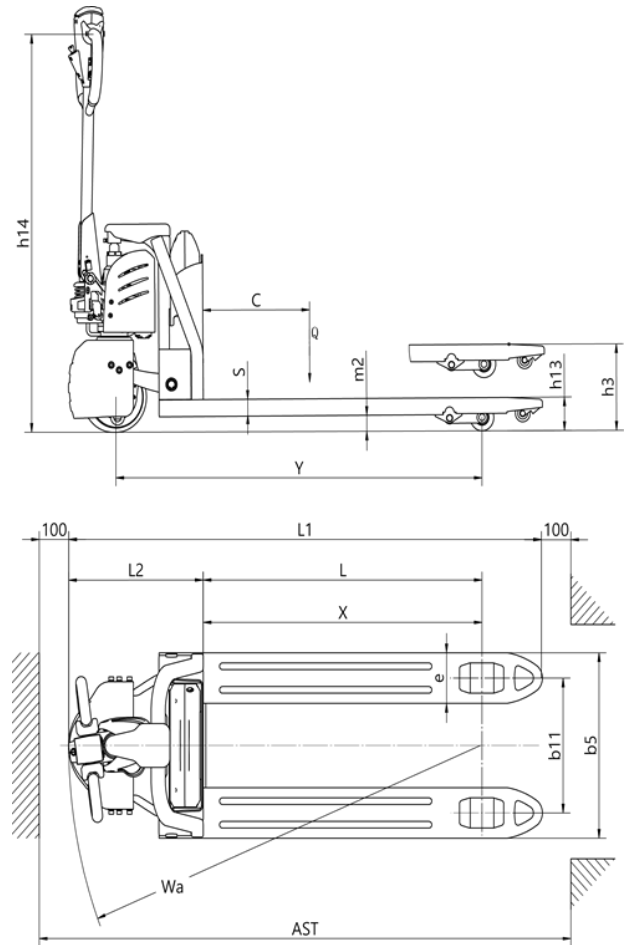
BRAKES: Electro-magnetic braking for secure stopping power; Electronic neutral braking for accurate control.

OPERATOR CONTROLS: Throttle, lifting, lowering, turtle mode, pinwheel capability and horn functions are in the ergonomic handle; release lower handle; belly button reverse safety feature allows the unit to stop and reverse to avoid collision or injury.

CHASSIS AND MAST: Robotic Welding; Heavy duty steel for durability.



LITHIUM PALLET JACKS



MODEL #	LOAD CAPACITY	FORKS	BATTERY	SERVICE WEIGHT
EPF15LI	3300 lbs.	27x45	24V/30Ah	345lbs
EPF18LI	4000 lbs.	27x45	24V/40Ah	370lbs
EPF20LI	4400 lbs.	27x45	48V/30Ah	390lbs



MATERIAL HANDLING EQUIPMENT
MOVING AHEAD

1761 W. Holt Ave.
Pomona, CA 91768 USA
T: (877) 232-6517 F: (909) 222-6861

AUTHORIZED DEALERS ONLY
www.ekkolifts.com