

EKKO[®]

MATERIAL HANDLING EQUIPMENT

MOVING AHEAD

PARTS MANUAL

Lithium Powered Forklift

EK20GT-LI

EK25GT-LI

EK30GT-LI

EK35GT-LI

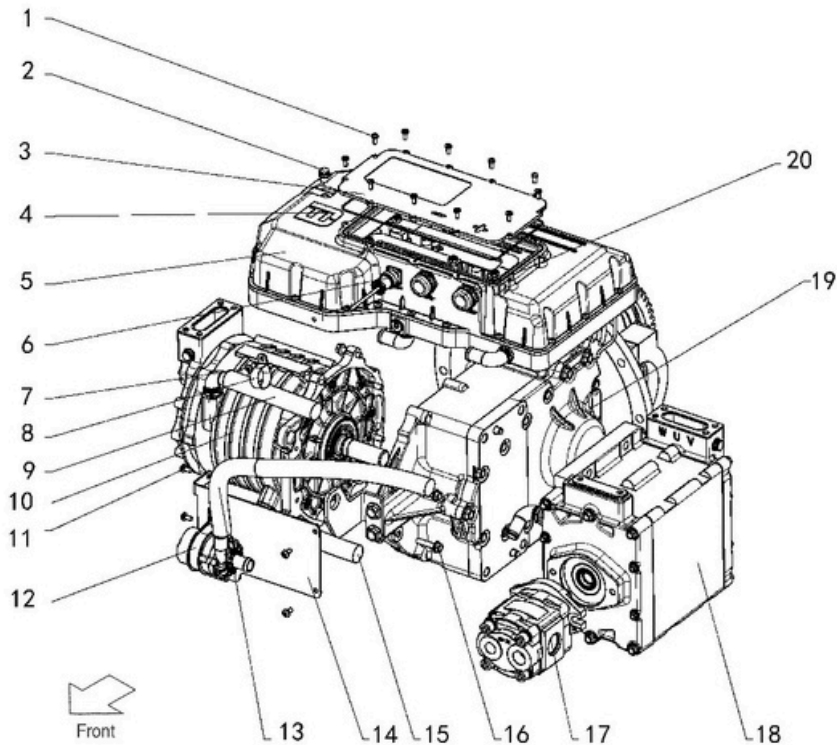
EK40GT-LI

CONTENTS

| SECTION | FIG. NO. | SECTION | FIG. NO. | SECTION | FIG. NO. |
|--------------------|----------|--------------------------------|----------|--------------------------------|----------|
| POWER ASSEMBLY | 1 | VALVE CONTROL LINKAGE(2SV) | 31 | LIFT CYLINDER (FRONT)[VFSM31A] | 61 |
| LITHIUM BATTERY | 2 | VALVE CONTROL LINKAGE(3SV) | 32 | LIFT CYLINDER (REAR)[VFM21A] | 62 |
| | | VALVE CONTROL LINKAGE(4SV) | 33 | LIFT CYLINDER (REAR)[VFM31A] | 63 |
| COOLING UNIT | 4 | FITTING (ORBITROL) | 34 | LIFT CYLINDER (REAR)[VFSM21A] | 64 |
| COMBINATION METER | 5 | FITTING (ORBITROL) | 35 | LIFT CYLINDER (REAR)[VFSM31A] | 65 |
| HANDLE MOUNT | 6 | HYDRAULIC LINE | 36 | LIFT CYLINDER (REAR)[VFSM41A] | 66 |
| ELECTRIC PARTS | 7 | HYDRAULIC LINE (TILT) | 37 | MAST [VFM21A] | 67 |
| ELECTRIC BOX&CABLE | 8 | TILT CYLINDER | 38 | MAST [VFM31A] | 68 |
| LIGHT UNIT | 9 | FORK[VM21A] | 39 | MAST [VFM41A] | 69 |
| DRIVE AXLE | 10 | FORK[VM31A] | 40 | MAST [VFSM21A] | 70 |
| STEERING AXLE | 11 | LIFT BRCDKET[VM21A] | 41 | MAST [VFSM31A] | 71 |
| AXLE SUPPORT | 12 | LIFT BRCDKET [VM31A] | 42 | MAST [VFSM41A] | 72 |
| HUB NUT | 13 | LIFT BRCDKET [VM41A] | 43 | MAST PIPING VFM21A | 73 |
| WHEET(2 Ton) | 14 | BACKREST [VM21A] | 44 | MAST PIPING VFM31A | 74 |
| WHEET(3 Ton) | 15 | BACKREST [VM31A] | 45 | MAST PIPING VFHM21A | 75 |
| POWER CYLINDER | 16 | BACKREST [VM41A] | 46 | MAST PIPING VFHM31A | 76 |
| POWER CYLINDER | 17 | MAST [VM21A] | 47 | | |
| FITTING OVER HEAD | 18 | MAST [VM31A] | 48 | | |
| GUARD ACCELERATOR | 19 | MAST [VM41A] | 49 | | |
| PEDAL BRAKE | 20 | MAST PIPING [VM21A] | 50 | | |
| PEDAL BRAKE | 21 | MAST PIPING [VM31A] | 51 | | |
| LEVER FRAME | 22 | LIFT CYLINDER [VM21A] | 52 | | |
| OIL TANK | 23 | LIFT CYLINDER [VM31A] | 53 | | |
| BALANCE WEIGHT | 24 | LIFT CYLINDER [VM36A] | 54 | | |
| FRONT GUARD | 25 | LIFT CYLINDER [VM41A] | 55 | | |
| BONNET | 26 | LIFT CYLINDER (FRONT)[VFM21A] | 56 | | |
| INSULATOR&BRACKET | 27 | LIFT CYLINDER (FRONT)[VFM31A] | 57 | | |
| COVER | 28 | LIFT CYLINDER (FRONT)[VFM41A] | 58 | | |
| COVER | 29 | LIFT CYLINDER (FRONT)[VFSM21A] | 59 | | |
| MAIN PUMP | 30 | LIFT CYLINDER (FRONT)[VFSM31A] | 60 | | |

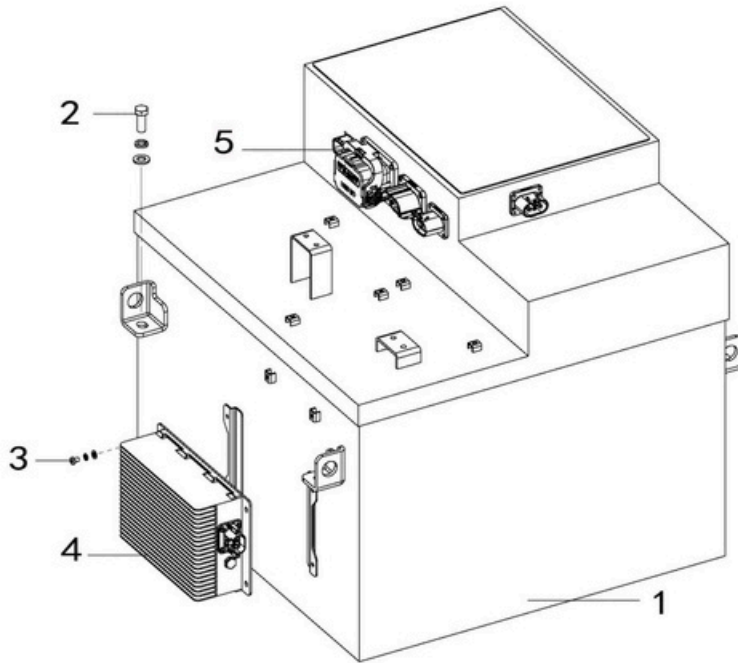
Fig.1 POWER ASSEMBLY

COVER, UPPER



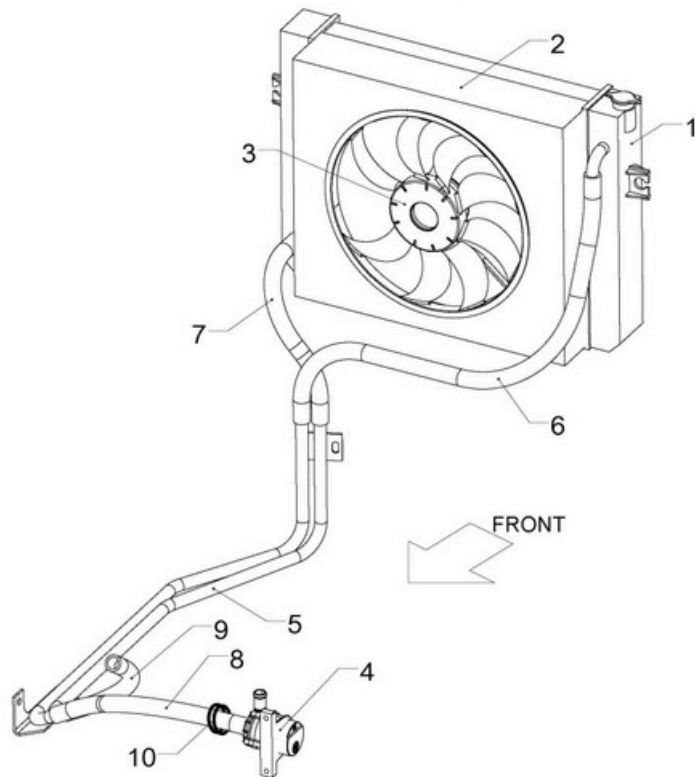
| Item No. | Part No. | Description | Req'd | Remarks:Serial No. |
|----------|------------------------|------------------------|-------|------------------------|
| A1 | 2-B30E1-00201 | POWER ASSY (11~20) | | WD35IPS12 |
| 1 | NO PART NO. | SCREW M12X1.5 | | STAINLESS STEEL 304 |
| 2 | NO PART NO. | BREATHING CAP M12X1.5 | 2 | |
| 3 | 2142300-WDX001 -A02 | COVER, CHECKING | 1 | 6061 |
| 4 | NO PART NO. | SEALING STRIP ϕ 2 | 1 | SILICONE RUBBE |
| 5 | 2142200-WDX001 -A01 | COVER, UPPER | 1 | ZL111 |
| 6 | LDY1-1208ZJB-BK | LOW VOLTAGE CONNECTOR | 1 | |
| 7 | NO PART NO. | SCREW M6X14 | 1 | STAINLESS STEEL 304 |
| 8 | NO PART NO. | CLAMP ϕ 32 | 1 | |
| 9 | NO PART NO. | HOSE ϕ 22 | 1 | |
| 10 | WD30M88 | DRIVING MOTOR | 1 | |
| 11 | NO PART NO. | SCREW M6X14 | 4 | STAINLESS STEEL 304 |
| 12 | 2-B30A2-103011 | WATER PUMP | 1 | |
| 13 | NO PART NO. | HOSE ϕ 22 | 1 | |
| 14 | 2127100-WDX001 -A00 | BRACKET, WATER PUMP | 1 | Q235 |
| 15 | NO PART NO. | HOSE ϕ 22 | 1 | |
| 16 | NO PART NO. | BOLT M8X35 | 8 | LEVEL 10.9 |
| 17 | CBHZAD-F32-AL | GEAR PUMP ϕ 13 | 1 | |
| 18 | WD30M89 | PUMP MOTOR | 1 | |
| 19 | 2146000-WDX004 -A00 | REDUCER ASSY | 1 | |
| 20 | NO PART NO. | SCREW M30X1.5 | 2 | |

Fig.2 LITHIUM BATTERY PACK



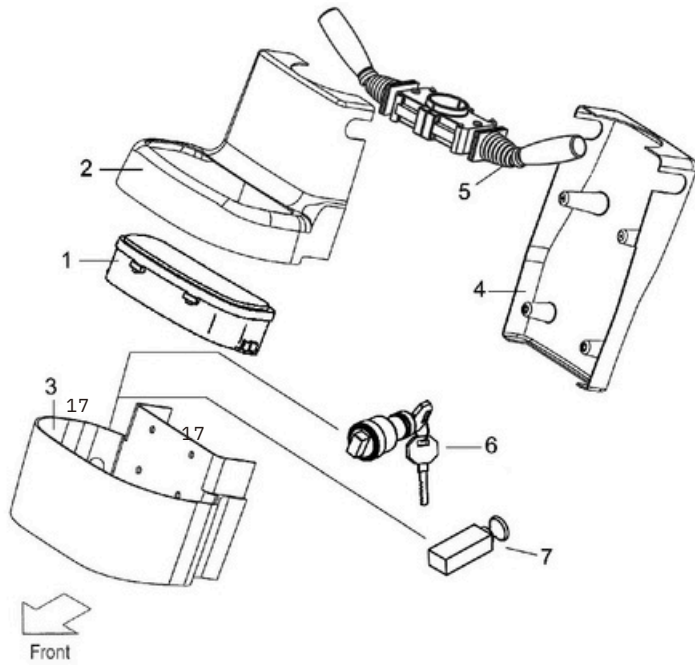
| Item No. | Part No. | Description | Req'd | Remarks:Serial No. |
|----------|---------------|------------------------|-------|----------------------|
| 1 | 2-B20E2-60901 | LI BATTERY 153.6V110AH | 1 | 2Ton, 2.5Ton |
| - | 2-B30E2-60901 | LI BATTERY 153.6V165AH | 1 | 3Ton, 3.5Ton 4Ton |
| 2 | NO PART NO. | BOLT, WASHER M12 | 1 | |
| 3 | NO PART NO. | BOLT, WASHER M6 | 1 | |
| 4 | 2-B30A2-10311 | DC CONTROLLER | 1 | |
| 5 | 2-B30A2-10391 | SECURITY SOCKET | 1 | |

Fig.4 COOLING UNIT



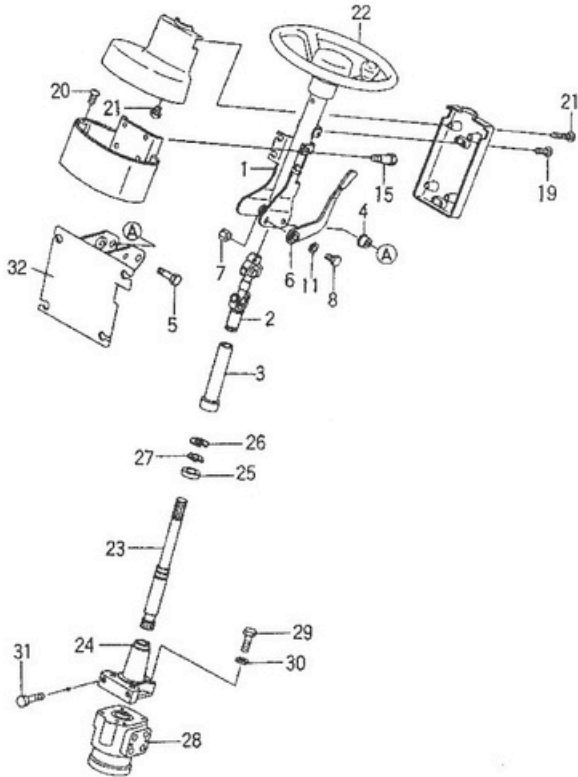
| Item No. | Part No. | Description | Req'd | Remarks:Serial No. |
|----------|----------------|---------------------------|-------|----------------------|
| 1 | 2-B30L2-10301 | RADIATOR ASSY (1~2) | 1 | |
| 2 | 2-B30A2-103031 | COVER,FAN | 1 | |
| 3 | 2-B30A2-103021 | FAN | 1 | |
| 4 | 2-B30A2-103011 | WATER PUMP | 1 | |
| 5 | 2-B20L2-10401a | COOLING PIPE | 1 | 2Ton, 2.5Ton |
| - | 2-B30L2-10401a | COOLING PIPE | 1 | 3Ton, 3.5Ton 4Ton |
| 6 | S4710-06038 | COOLING HOSE Φ 19 | 1 | |
| 7 | S4710-06090 | COOLING HOSE Φ 19 | 1 | |
| 8 | S4710-06045 | COOLING HOSE,F, Φ 19 | 1 | |
| 9 | S4710-06035 | COOLING HOSE,R, Φ 19 | 1 | |
| 10 | S4914-00030 | CLAMP Φ 21-38 | 8 | |

Fig.5 COMBINATION METER



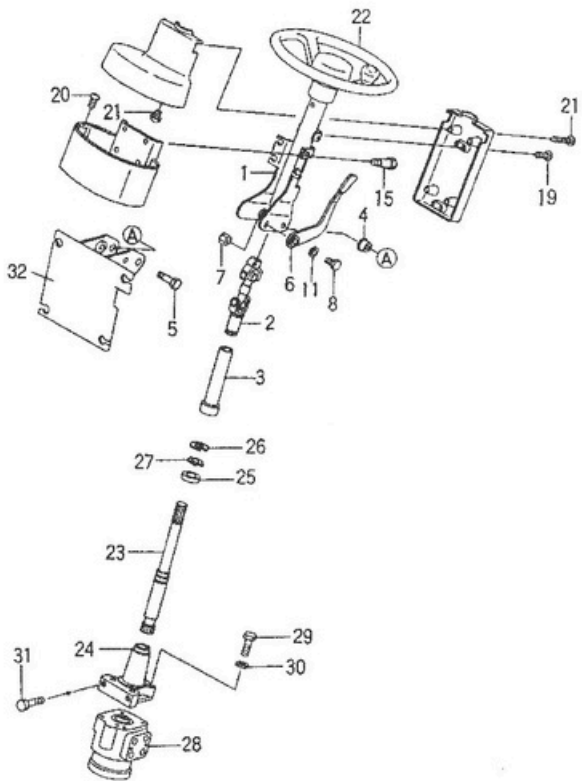
| Item No. | Part No. | Description | Req'd | Remarks:Serial No. |
|----------|---------------|--------------------|-------|--------------------|
| A1 | 2-B30L6-40201 | METER ASSY 1~4,6,7 | 1 | |
| 1 | NO PART NO. | METER PANEL | 1 | |
| 2 | NO PART NO. | COVER,A | 1 | |
| 3 | NO PART NO. | COVER,B | 1 | |
| 4 | NO PART NO. | COVER,C | 2 | |
| 5 | NO PART NO. | COMBINATION SWITCH | 1 | |
| 6 | NO PART NO. | KEY SWITCH | 1 | |
| 7 | NO PART NO. | START SWITCH | 1 | |

Fig.6 HANDLE MOUNT



| Item No. | Part No. | Description | Req'd | Remarks:Serial No. |
|----------|---------------|----------------------------------|-------|--------------------|
| 1 | 2-B30L4-10001 | STEERING COLUMN | 1 | |
| 2 | F31A4-10701 | CARDAN JOINT | 1 | |
| 3 | F31A4-10801 | BOOT | 1 | |
| 4 | F31A4-12101 | BUSHING | 2 | |
| 5 | F31A4-12111 | BOLT | 2 | |
| B | F31A4-10301 | TILT LOCK LEVER ASSY (6~11) | 1 | |
| 6 | F31A4-12171 | LEVER | 1 | |
| 7 | F31A4-12181 | NUT | 1 | |
| 8 | F31A4-12231 | BOLT | 1 | |
| 11 | F31A4-12131 | WASHER | 1 | |
| 15 | F31A4-12621 | BOLT | 4 | |
| 19 | F31A4-12771 | SCREW | 4 | |
| 20 | F31A4-12091 | SCREW | 2 | |
| 21 | F31A4-12031 | SCREW | 9 | |
| 22 | N31A4-10201 | STEERING WHEEL | 1 | |
| C | F31A4-10401 | HANDLE SHAFT ASSY (23~27) | 1 | |
| 23 | F31A4-12001 | SHAFT | 1 | |
| 24 | F31A4-12021 | FLANGE,[OBT] | 1 | |
| 25 | S3000-06904 | BEARING | 1 | |
| 26 | S2110-00037 | SNAP RING | 1 | |
| 27 | S2100-00020 | SNAP RING | 1 | |
| 28 | F31A4-10501 | ORBITROL | 1 | |
| 29 | S0110-00628 | BOLT | 4 | |
| 30 | S0430-00006 | WASHER | 4 | |

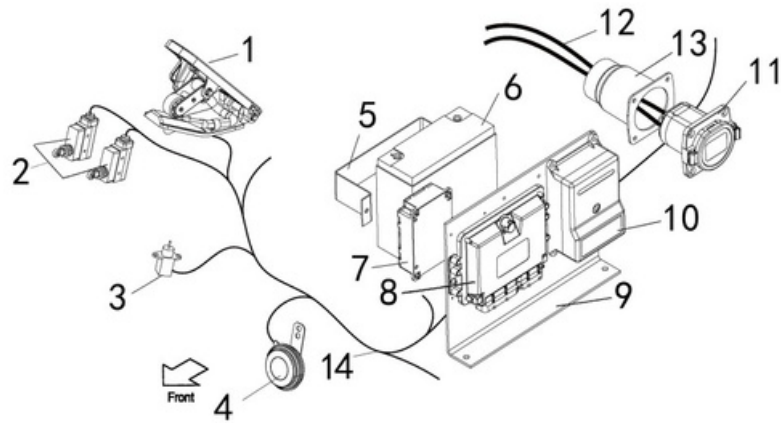
Fig.6 HANDLE MOUNT



| Item No. | Part No. | Description | Req'd | Remarks:Serial No. |
|----------|----------------|--------------|-------|--------------------|
| 31 | F31A4-12041 | BOLT | 2 | |
| 32 | 2-B30L4-10101a | BRACKET | 1 | |
| + | F31A2-12031 | MOUNT RUBBER | 4 | |
| + | F31A7-33001 | COLLAR | 4 | |
| + | F31A2-32251 | WASHER | 4 | |

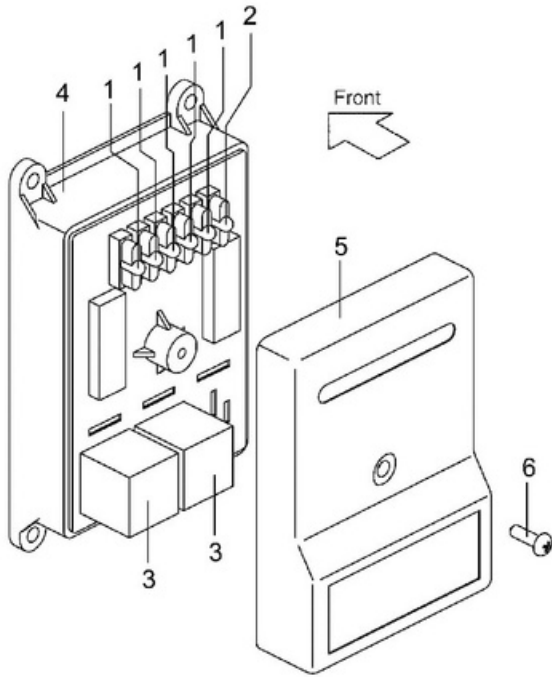
Fig.6

Fig.7 ELECTRIC PARTS



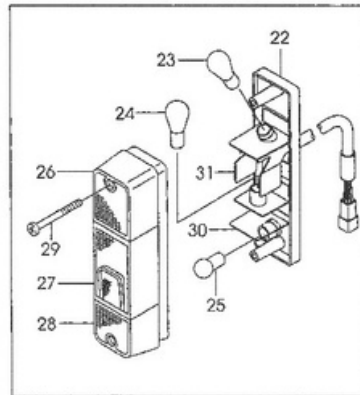
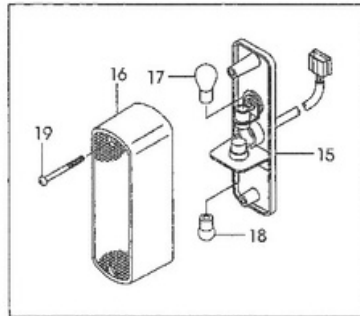
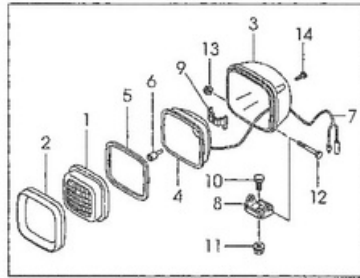
| Item No. | Part No. | Description | Req'd | Remarks:Serial No. |
|----------|----------------|--------------------------|-------|----------------------|
| 1 | 2-B30A2-10371 | ACCELERATOR ASSY | 1 | |
| 2 | B21E2-45001 | MICRO SWITCH | 1 | |
| 3 | NO PART NO. | POTENTIOMETER | 1 | |
| 4 | NO PART NO. | HORN | 1 | |
| 5 | 2-B30L2-44021a | BRACKET, BATTERY | 1 | |
| 6 | 2-B30C2-42301 | BATTERY,12V20AH | 1 | |
| 7 | 2-B30A2-10331 | GPS MODULE * | 1 | * FOR OPTION |
| 8 | 2-B20A2-10321 | CONTROLLER VCU | 1 | 2Ton, 2.5Ton |
| - | 2-B30A2-10321 | CONTROLLER VCU | 1 | 3Ton, 3.5Ton 4Ton |
| 9 | 2-B30L2-42001f | BRACKET, CONTROL BOX | 1 | |
| 10 | 2-B30L2-42131 | CONTROL BOX | 1 | |
| 11 | 2-B30A2-10341 | CHARGING BASE | 1 | |
| 12 | 2-B30A2-10351 | CHARGING WIRE | 1 | |
| 13 | 2-B30A2-10361 | WATERPROOF RUBBER SLEEVE | 1 | |
| 14 | 2-B20L2-42211a | WIRE-HARNESS,FRAME | 1 | 2Ton, 2.5Ton |
| - | 2-B30L2-42211a | WIRE-HARNESS,FRAME | 1 | 3Ton, 3.5Ton 4Ton |

Fig.8 ELECTRIC BOX & CABLE



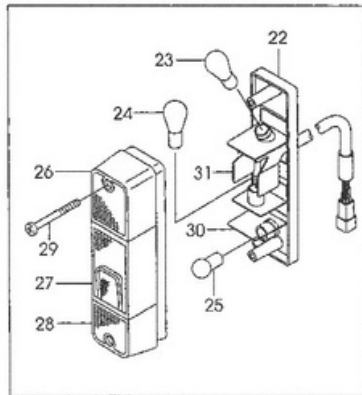
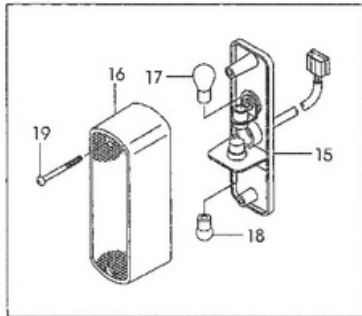
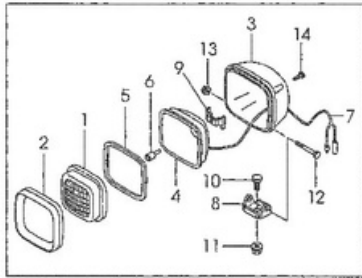
| Item No. | Part No. | Description | Req'd | Remarks:Serial No. |
|----------|---------------|----------------------|-------|--------------------|
| A1 | 2-B30L2-42131 | CONTROL BOX(Inc.1~6) | 1 | |
| 1 | NO PART NO. | FUSE | 1 | |
| 2 | NO PART NO. | FUSE | 5 | |
| 3 | NO PART NO. | RELAY | 2 | |
| 4 | NO PART NO. | BODY | 1 | |
| 5 | NO PART NO. | COVER | 1 | |
| 6 | NO PART NO. | SCREW | 1 | |

Fig.9 LIGHT UNIT



| Item No. | Part No. | Description | Req'd | Remarks:Serial No. |
|----------|-------------------|--------------------|-------|--------------------|
| A1 | K-216G2-40602 | LAMP-ASS'Y,HEAD | 2 | INC. 1-4 |
| 1 | K-216G2-43502 § | LENS | 2 | |
| 2 | K-216G2-43631 § | RIM | 2 | |
| 3 | K-216G2-43511 § | HOUSING | 2 | |
| 4 | K-216G2-43521 § | REFLECTOR | 2 | |
| 5 | K-216G2-43531 § | GASKET | 2 | |
| 6 | K-216G2-43542 § | BUBL, 12V/55W | 2 | |
| 7 | K-216G2-43552 § | WIRE, LEAD | 2 | |
| 8 | K-216G2-43562 § | BRACKET | 2 | |
| 9 | K-216G2-43571 § | SPRING | 2 | |
| 10 | K-216G2-43582 § | BOLT | 2 | |
| 11 | K-216G2-43592 § | NUT | 2 | |
| 12 | K-216G2-43602 § | BOLT | 2 | |
| 13 | K-216G2-43611 § | NUT | 2 | |
| 14 | K-216G2-43622 § | SCREW | 8 | |
| A2 | K-216G2-40701 | LAMP-ASS'Y,F.COMBI | 2 | INC.15-19 |
| 15 | NO PART NO. § | BODY | 2 | |
| 16 | K-216G2-40731 § | BENS | 2 | |
| 17 | K-216G2-40711 § | BULB, 12V/27W | 2 | |
| 18 | K-216G2-40711 § | BULB, 12V/10W | 2 | |
| 19 | NO PART NO. § | SCREW | 8 | |
| 20 | K-239A2-42221A §+ | WIRE-HARNESS,HG | 2 | |
| 21 | K-04913-11100 §+ | BAND | 2 | |
| A3 | K-214A2-40203 | LAMP-ASS'Y,R.COMBI | 2 | INC.22-31 |
| 22 | NO PART NO. § | BODY | 2 | |
| 23 | K-210F2-42011 | BULB,12V/23W | 2 | |
| 24 | K-214A2-44501 § | BULB,23W/8W | 2 | |

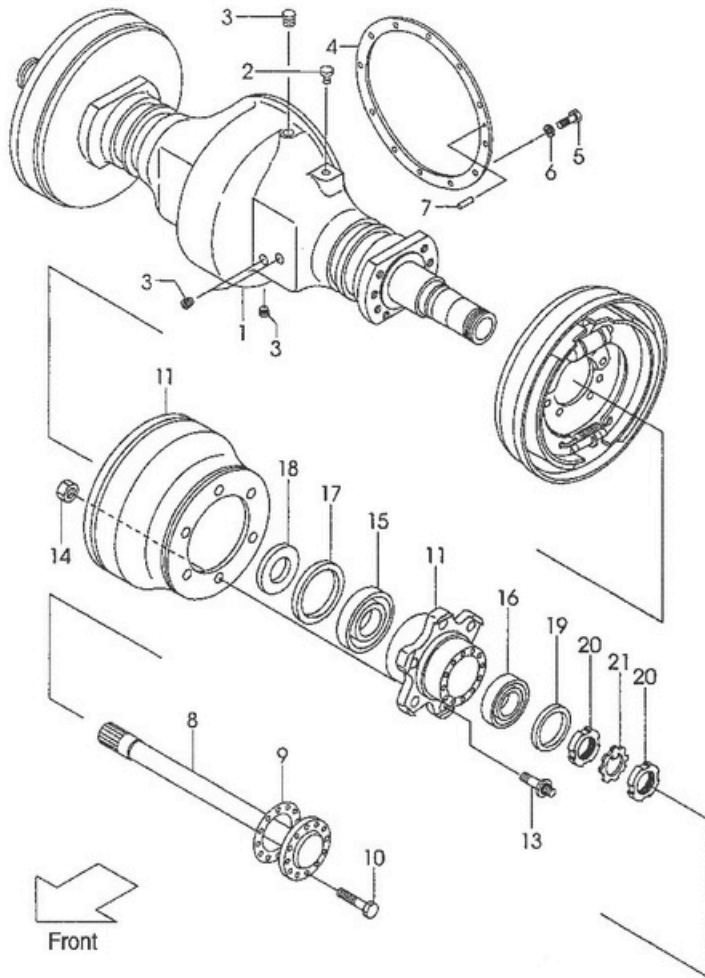
Fig.9 LIGHT UNIT



| Item No. | Part No. | Description | Req'd | Remarks:Serial No. |
|----------|---------------|-----------------|-------|--------------------|
| 25 | K-210F2-42031 | § BULB,12V/10W | 2 | |
| 26 | K-210F2-42201 | § LENS,PLASTIC | 2 | |
| 27 | K-210F2-42211 | § LENS, PLASTIC | 2 | |
| 28 | K-210F2-42221 | § LENS, PLASTIC | 2 | |
| 29 | S1030-05065 | § SCREW | 4 | |
| 30 | K-210F2-42231 | § SHADE | 2 | |
| 31 | K-214A2-44511 | § SHADE | 2 | |

Fig.10

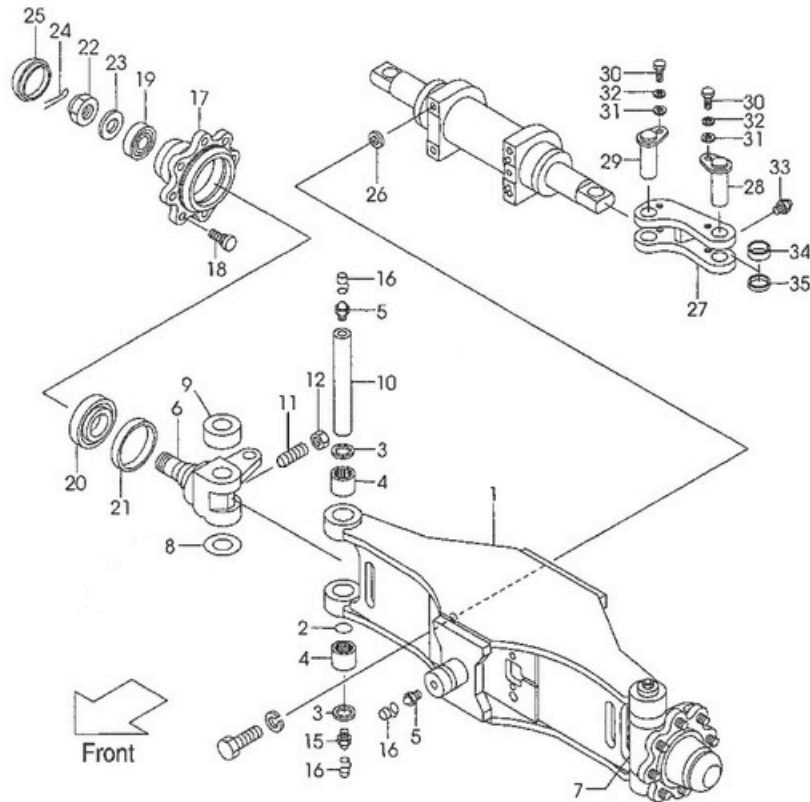
Fig.10 DRIVE AXLE



| Item No. | Part No. | Description | Req'd | Remarks:Serial No. |
|----------|-------------|-------------------|-------|--------------------|
| 1 | F21A3-00301 | HOUSING | 1 | 2Ton, 2.5Ton |
| - | F31A3-00301 | HOUSING | 1 | 3Ton, 3.5Ton |
| - | F38A3-00301 | HOUSING | 1 | 4Ton |
| 2 | F31A3-02151 | BREATHER | 1 | |
| 3 | F31A3-03001 | PLUG | 4 | |
| 4 | F31A2-52001 | PACKING | 1 | |
| 5 | S1106-12040 | BOLT | 1 | |
| 6 | S2011-00012 | WASHER | 12 | |
| 7 | S2212-10020 | PIN | 1 | |
| 8 | F21A3-02011 | SHAFT, DRIVE | 2 | 2Ton,2.5Ton |
| - | F31A3-02011 | SHAFT, DRIVE | 2 | 3Ton,3.5Ton |
| - | F38A3-02011 | SHAFT, DRIVE | 2 | 4Ton |
| 9 | F31A3-02101 | PACKING | 2 | |
| 10 | F31A3-02601 | BOLT | 24 | |
| 11 | F31A3-02001 | DRUM, BRAKE | 2 | 2Ton,2.5Ton |
| - | F31A3-02001 | DRUM, BRAKE | 2 | 3Ton,3.5Ton |
| - | F38A3-02001 | DRUM, BRAKE | 2 | 4Ton |
| 13 | F21A3-02021 | BOLT, HUB | 12 | 2Ton,2.5Ton |
| - | F31A3-02021 | BOLT, HUB | 12 | 3Ton,3.5Ton |
| - | F38A3-02021 | BOLT, HUB | 12 | 4Ton |
| 14 | S1400-10020 | NUT | 12 | |
| 15 | NO PART NO. | BRG, TAPER-ROLLER | 2 | 2Ton,2.5Ton |
| - | S3071-30214 | BRG, TAPER-ROLLER | 2 | 3Ton,3.5Ton |
| - | NO PART NO. | BRG, TAPER-ROLLER | 2 | 4Ton |
| 16 | F21A3-02071 | BRG, TAPER-ROLLER | 2 | 2Ton,2.5Ton |
| - | F31A3-02071 | BRG, TAPER-ROLLER | 2 | 3Ton,3.5Ton |
| - | F38A3-02071 | BRG, TAPER-ROLLER | 2 | 4Ton |
| 17 | F31A3-02081 | SEAL, OIL | 2 | |
| 18 | F31A3-02121 | RETAINER | 2 | |
| 19 | F31A3-02091 | WASHER | 2 | |
| 20 | S3192-00021 | NUT | 4 | |
| 21 | S3192-00031 | WASHER | 2 | |

Fig.11

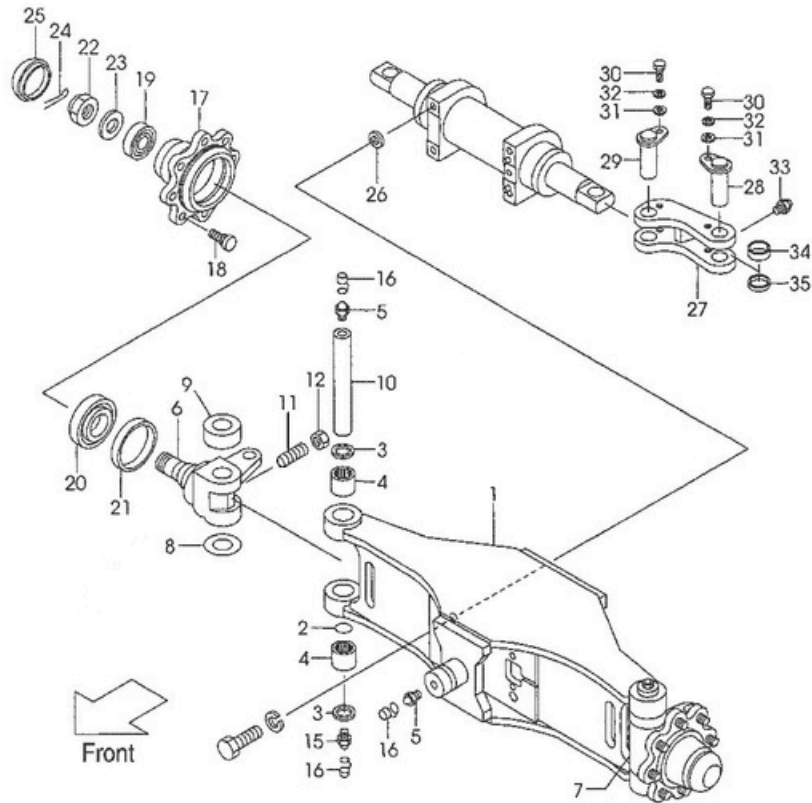
Fig.11 STEERING AXLE



| Item No. | Part No. | Description | Req'd | Remarks:Serial No. |
|----------|-------------|---------------------|-------|--------------------|
| A1 | F36A4-30011 | AXLE-ASS'Y STEERING | 1 | INC.1-35 |
| 1 | NO PART NO. | § AXLE | 1 | |
| 2 | F31A4-32161 | ※ O-RING | 2 | |
| 3 | F31A4-32171 | ※ SEAL,DUST | 4 | |
| 4 | S3146-13201 | ※ BRE,NEEDLE | 4 | |
| 5 | S4901-00190 | ※ FITTING | 4 | |
| 6 | F38A4-32031 | KNUCKLE, RH | 1 | |
| 7 | F38A4-32041 | KNUCKLE, LH | 1 | |
| 8 | F31A4-30321 | ※ SHIM | 6 | |
| 9 | S3126-83201 | ※ BRG, BALL | 2 | |
| 10 | F31A4-32231 | KINGPIN | 2 | |
| 11 | F31A4-32341 | ※ BOLT, LOCK | 2 | |
| 12 | S1400-00010 | § ※ NUT | 2 | |
| 15 | S4901-00191 | ※ FITTING | 2 | |
| 16 | F31A4-32401 | § CAP | 6 | |
| A2 | F38A4-35001 | HUB-ASS'Y, REAR | 2 | INC.17-21 |
| 17 | F38A4-32051 | HUB | 2 | |
| 18 | F31A4-32061 | BOLT, HUB | 16 | |
| 19 | S3071-30207 | BRG, TAPER-ROLLER | 2 | |
| 20 | S3071-30211 | BRG, TAPER-ROLLER | 2 | |
| 21 | S3217-08501 | SEAL,OIL | 2 | |
| 22 | S1412-00030 | NUT | 2 | |
| 23 | S2000-00030 | WASHER | 2 | |
| 24 | S2200-06055 | § PIN | 2 | |
| 25 | F31A4-32071 | CAP, HUB | 2 | |
| 26 | F31A4-32481 | SHIM | 1 | |
| 27 | F31A4-32081 | YOKE | 2 | |
| 28 | F31A4-32721 | PIN | 2 | |
| 29 | F31A4-32101 | PIN | 2 | |
| 30 | S1103-08016 | BOLT | 4 | |
| 31 | S2000-00008 | § WASHER | 4 | |
| 32 | S2011-00008 | § WASHER | 4 | |

Fig.11

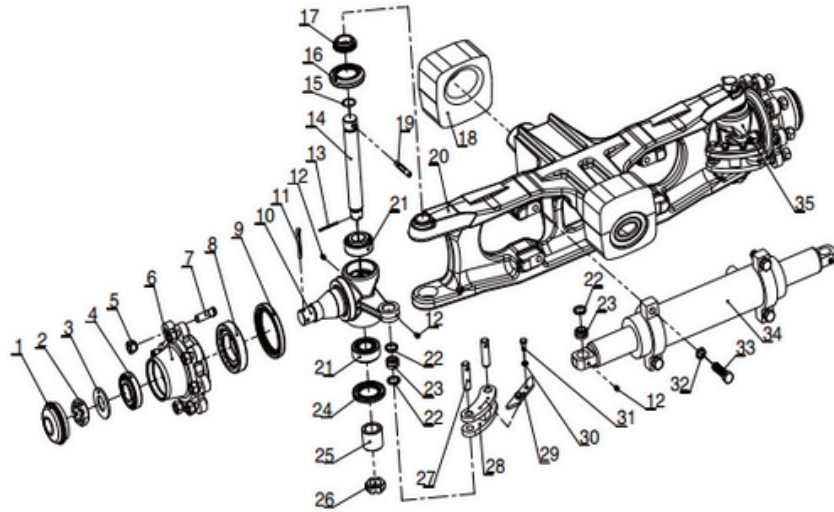
Fig.11 STEERING AXLE



| Item No. | Part No. | Description | Req'd | Remarks:Serial No. |
|----------|---------------|-------------|-------|--------------------|
| 33 | F31A4-32221 | NIPPLE | 2 | |
| 34 | § F31A4-33231 | JOINT | 2 | |
| 35 | F31A4-32301 | COLLAR | 2 | |

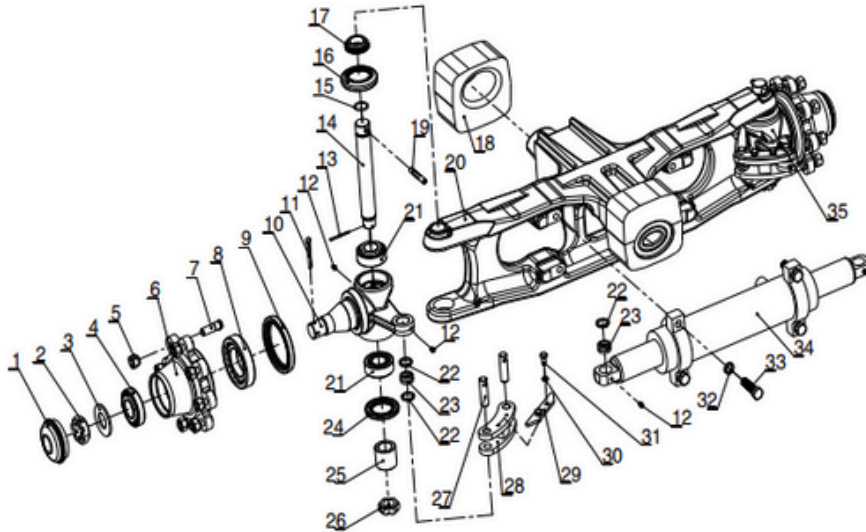
Fig.11

Fig.11 STEERING AXLE (new type)



| Item No. | Part No. | Description | Req'd | Remarks:Serial No. |
|----------|-----------------|-------------------------|-------|--------------------|
| A1 | Z02M1-10000MKS | AXLE-ASS'Y STEERING | 1 | INC.1-35 2-2.5T |
| - | Z03M2-10000MKS | AXLE-ASS'Y STEERING | 1 | INC.1-35 3-3.5T |
| 1 | 1218-10200 | CAP, HUB | 1 | |
| 2 | A21B4-32311 | NUT | 2 | |
| 3 | G27Z4-30711 | WASHER | 4 | |
| 4 | Z-30207 | BRG, TAPER-ROLLER | 4 | |
| 5 | 23654-34051B | NUT,REAR-HUB | 4 | |
| 6 | A21B4-32241 | REAR HUB | 1 | |
| 7 | 23654-32041B | BOLT,REAR-HUB | 1 | |
| 8 | Z-30211 | BRG, TAPER-ROLLER | 6 | |
| 9 | Z6301-08524 | SEAL,OIL | 2 | |
| 10 | G27Z4-33311 | KNUCKLE, LH | 2 | |
| 11 | B3010-6P350 | PIN | 2 | |
| 12 | Q700B06 | FITTING | 2 | |
| 13 | 15225 | PIN | 2 | |
| 14 | G27Z4-33031CQ | KING PIN | 6 | |
| 15 | Z6053-02502 | O RING | 2 | |
| 16 | 264973 | SEAL, DUST | 2 | |
| 17 | G27Z4-33051 | SPACER SLEEVE, 2-2.5Ton | 16 | |
| - | Z03M2-33051 | SPACER SLEEVE, 3-3.5Ton | 16 | |
| 18 | H24N4-32451 | DAMPING BLOCK | 2 | |
| 19 | 226986B | PIN | 2 | |
| 20 | Z02M1-10200MKS | AXLE STEERING, 2-2.5Ton | 2 | |
| - | Z03M2-10200MKSA | AXLE STEERING, 3-3.5Ton | 2 | |
| 21 | Z-33206 | BRG, TAPER-ROLLER | 2 | |
| 22 | H24C4-12003 | BUSHING | 2 | |
| 23 | Z-GE16ES | JOINT | 2 | |
| 24 | G27Z4-33201 | SEAL,OIL | 2 | |
| 25 | G27Z4-33071 | BUSHING | 1 | |
| 26 | 249289 | NUT | 2 | |
| 27 | A21B4-32261AB | PIN | 2 | |

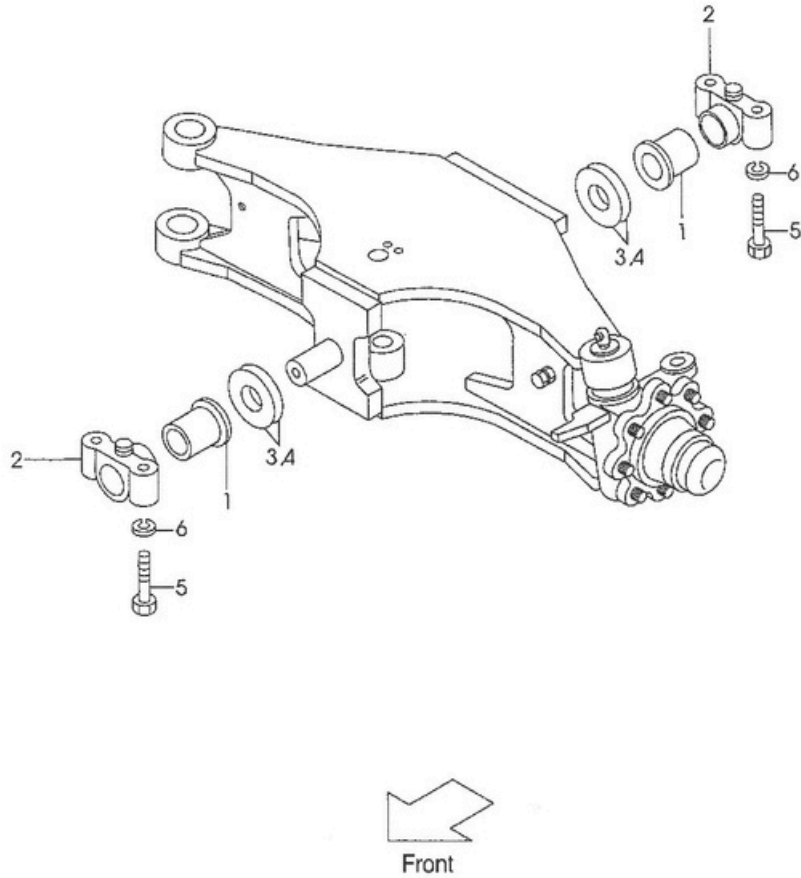
Fig.11 STEERING AXLE (new type)



| Item No. | Part No. | Description | Re qd | Remarks:Serial No. |
|----------|--------------|-----------------|-------|--------------------|
| 28 | A21B4-32081B | YOKE | 2 | |
| 29 | A21B4-32300B | BAFFLE | 4 | |
| 30 | B5050-00008B | WASHER | 4 | |
| 31 | B0330-08016B | BOLT | 4 | |
| 32 | B5050-00014B | WASHER | 2 | |
| 33 | B0330-14050B | BOLT | 2 | |
| 34 | Z03M2-10400 | CYL-ASS'Y,POWER | 2 | |
| 35 | G27Z4-33301 | KNUCKLE, RH | 2 | |

Fig.12

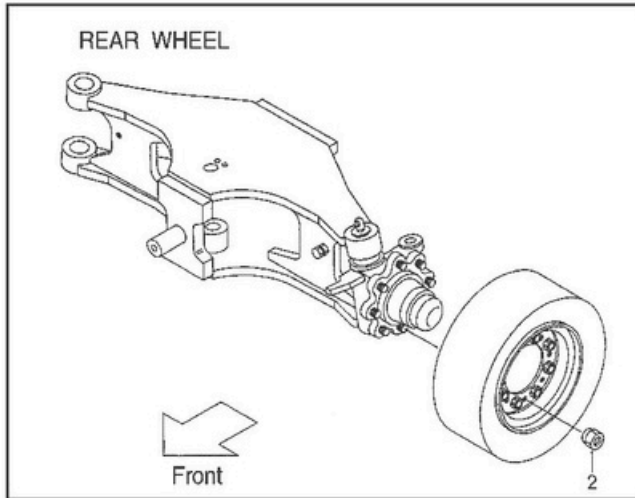
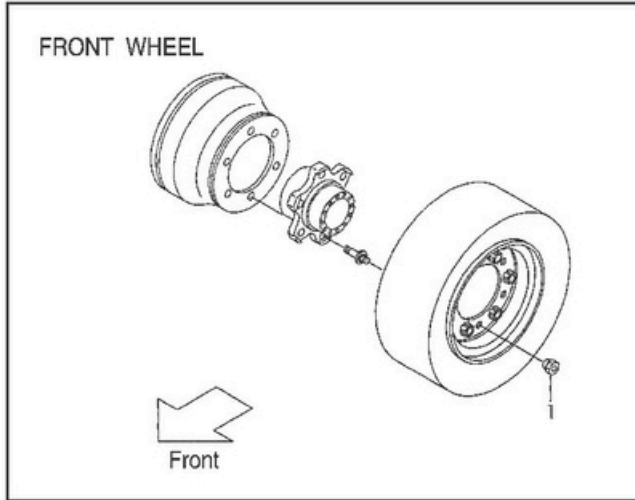
Fig.12 AXLE SUPPORT



| Item No. | Part No. | Description | Req'd | Remarks:Serial No. |
|----------|-------------|--------------------|-------|--------------------|
| A1 | F31A4-30101 | SUPPORT-ASS'Y,AXLE | 2 | INC.1-6 |
| 1 | F31A4-30461 | BUSHING | 2 | |
| 2 | F31A4-30451 | SUPPORT | 2 | |
| 3 | F31A4-32201 | SHIM, T-0.5 | 1 | |
| 4 | F31A4-32211 | SHIM, T-1.0 | 2 | |
| 5 | S1106-20080 | BOLT | 4 | |
| 6 | S2010-00020 | WASHER | 4 | |

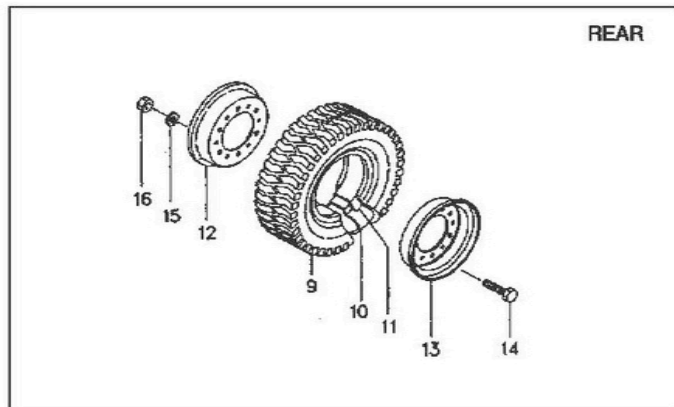
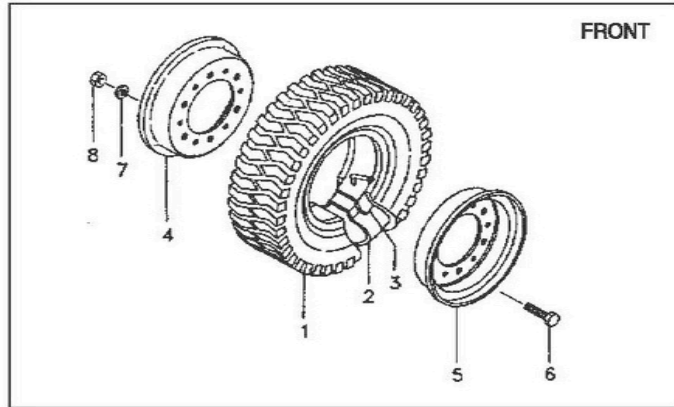
Fig.13

Fig.13 HUB NUT



| Item No. | Part No. | Description | Req'd | Remarks:Serial No. |
|----------|-------------|------------------------|-------|--------------------|
| 1 | F21A4-32311 | NUT,FRONT-HUB 2-2.5Ton | 12 | |
| - | F31A4-32311 | NUT, FORNT-HUB 3-4Ton | 12 | |
| 2 | F31A4-34051 | NUT,REAR-HUB | 16 | |

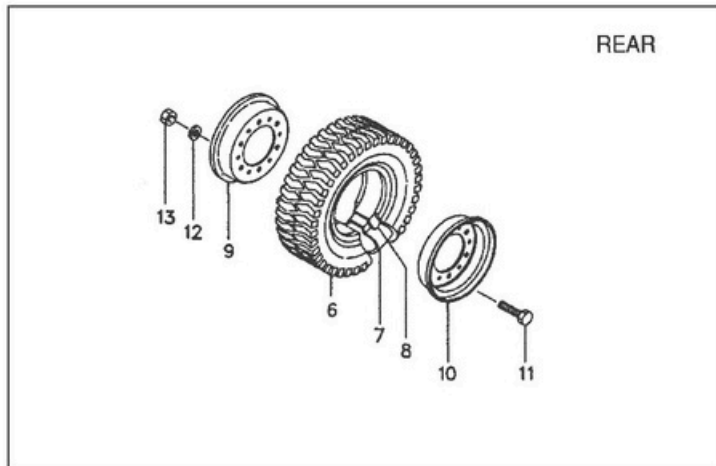
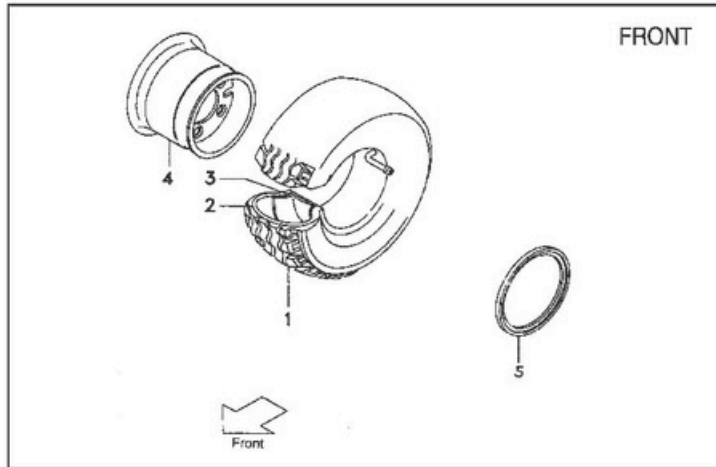
Fig.14 WHEEL (2 Ton, 2.5Ton)



| Item No. | Part No. | Description | Req'd | Remarks:Serial No. |
|----------|---------------|--------------------------------|-------|--------------------|
| A1 | F21A4-40101 | FRONT WHEEL ASS'Y (Inc.1-8) | 2 | |
| 1 | F21A4-40201 | TIRE ASS'Y 7.00-12-12PR | 2 | |
| 2 | F21A4-40221 | TUBE 7.00-12-12T | 2 | |
| 3 | F21A4-40231 | FLAP 7.00-12-12F | 2 | |
| B | F21A4-42501 | RIM ASS'Y (INC.4-8) | 2 | |
| 4 | F21A4-42511 § | RIM, INNER | 2 | |
| 5 | F21A4-42521 § | RIM, INNER | 2 | |
| ※1 | K-514A3-49811 | BOLT SET (Inc.6-8) | 2 | |
| 6 | F21A4-41630 ※ | BOLT | 12 | |
| 7 | S2011-00016 ※ | WASHER | 12 | |
| 8 | S1400-10016 ※ | NUT | 12 | |
| C | F21A4-40501 | REAR WHEEL ASS'Y (Inc.9-16) | 2 | |
| 9 | F21A4-40211 | TIRE ASS'Y 6.00-9-10PR | 2 | |
| 10 | F21A4-40241 | TUBE 6.00-9-10T | 2 | |
| 11 | F21A4-40251 | FLAP6.00-9-10F | 2 | |
| D | F21A4-43501 | RIM, INNER (Inc.14-16) | 2 | |
| 12 | F21A4-42611 | RIM, INNER | 2 | |
| 13 | F21A4-42621 | RIM, OUTER | 2 | |
| ※2 | K-514A3-49821 | BOLT SET (Inc.14-16) | 2 | |
| 14 | F31A4-41225 ※ | BOLT | 16 | |
| 15 | S2011-00012 ※ | WASHER | 16 | |
| 16 | S1400-00012 ※ | NUT | 16 | |

Fig.15

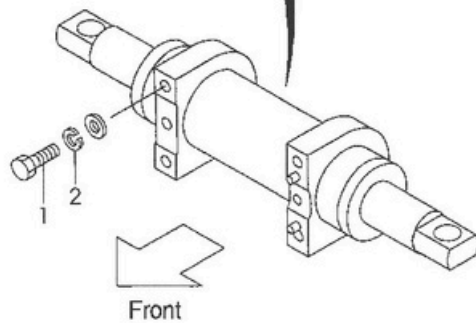
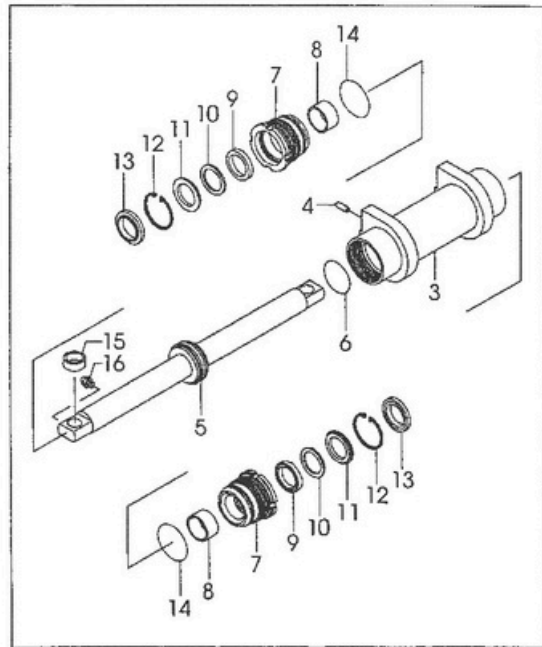
Fig.15 WHEEL (3-4 Ton)



| Item No. | Part No. | Description | Req'd | Remarks:Serial No. |
|----------|---------------|----------------------------|-------|--------------------|
| 1 | F31A4-40201 | TIRE 28 x 9-15-12PR | 2 | 3,3.5Ton (Inc.1-3) |
| - | NO PART NO. | SOLIDTIRE 28 x 9-15 | 2 | 4Ton |
| 2 | F31A4-40221 | TUBE 28 x 9-15-12T | 2 | 3,3.5Ton |
| 3 | F31A4-40231 | FLAP 28 x 9-15-12F | 2 | 3,3.5Ton |
| A | F31A4-42501 | RIM ASS'Y,3Ton (Inc.4,5) | 2 | |
| - | F36A4-40401 | RIM ASS'Y, 3.5Ton(Inc.4,5) | 2 | |
| - | F38A4-40401 | RIM ASS'Y, (Inc.4,5) | 2 | |
| 4 | F31A4-42511 § | RIM, INNER, 3Ton | 2 | |
| - | F36A4-42511 | RIM, INNER, 3.5Ton | 2 | |
| - | F38A4-42511 | RIM, INNER, 4Ton | 2 | |
| 5 | F31A4-42521 | SIDE RING | 2 | |
| 6 | F31A4-40211 | TIRE 6.50-10-10PR(1) | 2 | 3,3.5Ton (Inc.1-3) |
| - | NO PART NO. | SOLIDTIRE 6.50-10 | 2 | 4Ton |
| 7 | F31A4-40241 | TUBE 6.50-10-10T | 2 | 3,3.5Ton |
| 8 | F31A4-40251 | FLAP 6.50-10-10F | 2 | 3,3.5Ton |
| B | F31A4-42601 | RIM ASS'Y (Inc.9-10) | 2 | |
| 9 | F31A4-42611 § | RIM,INNER | 2 | |
| 10 | F31A4-42621 § | RIN,OUTER | 2 | |
| ※1 | K-514A3-49821 | BOLT SET (Inc.11-13) | 2 | |
| 11 | F31A4-41225 ※ | BOLT | 16 | |
| 12 | S2010-00012 ※ | WASHER | 16 | |
| 13 | S1400-00012 ※ | NUT | 16 | |

Fig.16

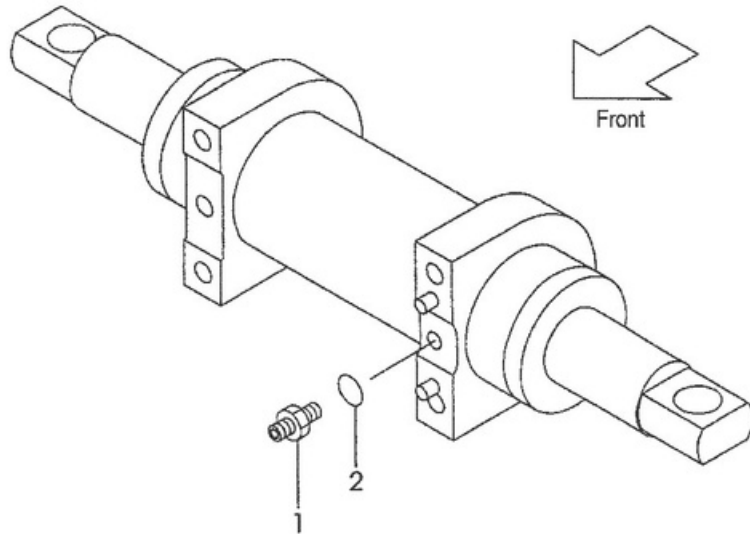
Fig.16 POWER CYLINDER



| Item No. | Part No. | Description | Req'd | Remarks:Serial No. |
|----------|-------------|-------------------|-------|--------------------|
| 1 | S1100-14035 | BOLT | 4 | |
| 2 | S2010-00014 | WASHER | 4 | |
| A1 | F31A4-30201 | CYL-ASS'Y,POWER | 1 | INC.3-16 |
| 3 | F31A4-31001 | BODY, CYL | 1 | |
| 4 | S2212-10020 | PIN | 2 | |
| A2 | F31A4-30301 | ROD-ASS'Y, PISTON | 1 | INC.5,6 |
| 5 | 31A4-31011 | ROD, PISTON | 1 | |
| 6 | F31A4-31021 | SET, SEAL | 1 | |
| A3 | F31A4-30401 | CAP-ASS'Y,CYL | 2 | INC.7-14 |
| 7 | F31A4-31031 | CAP, CYL | 2 | |
| 8 | F31A4-31041 | BUSHING | 2 | |
| 9 | F31A4-31051 | PACKING | 2 | |
| 10 | F31A4-31061 | RING, BACK-UP | 2 | |
| 11 | F31A4-31071 | RETAINER | 2 | |
| 12 | S2110-00062 | RING, SNAP | 2 | |
| 13 | F31A4-31081 | SEAL, DUST | 2 | |
| 14 | F31A4-31091 | O-RING | 2 | |
| 15 | F31A4-31101 | BUSH | 2 | |
| 16 | F31A4-31111 | NIPPLE, GREASE | 2 | |

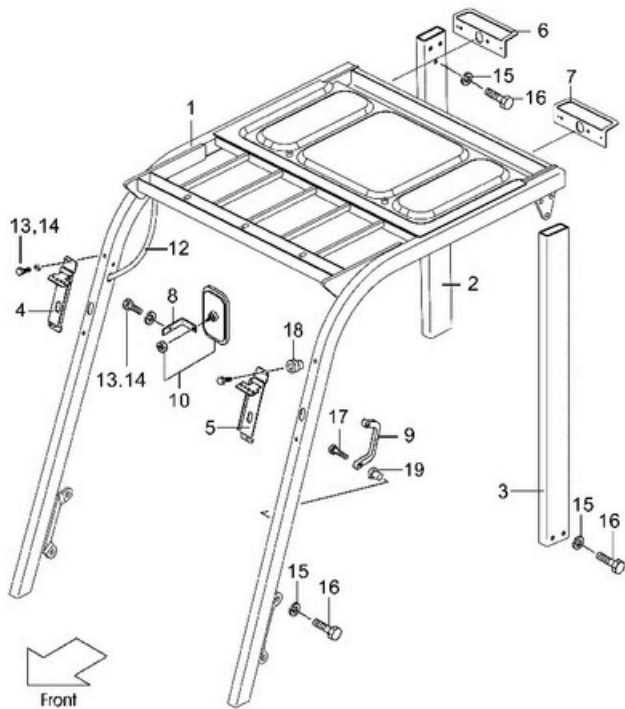
Fig.17

Fig.17 POWER CYLINDER FITTING



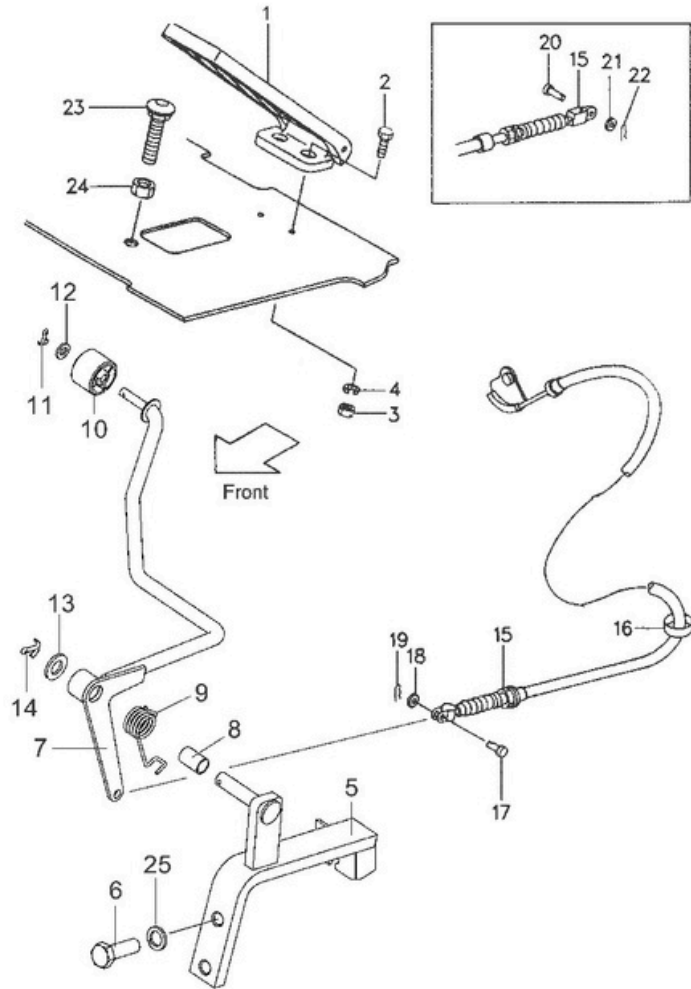
| Item No. | Part No. | Description | Req'd | Remarks:Serial No. |
|----------|---------------|--------------|-------|--------------------|
| A1 | S4134-20202 | NIPPLE-ASS'Y | 2 | INC.1,2 |
| 1 | S4134-00202 | NIPPLE | 2 | |
| 2 | S3320-00110 § | O-RING | 2 | |

Fig.18 OVER HEAD GUARD



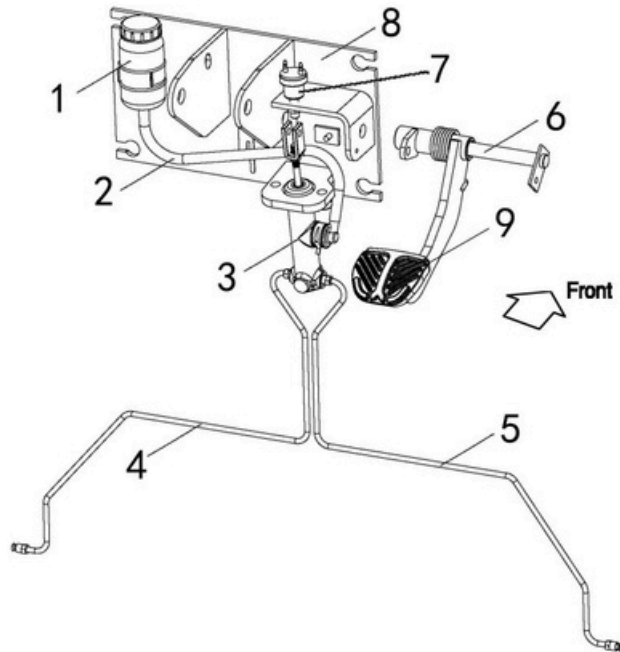
| Item No. | Part No. | Description | Req'd | Remarks:Serial No. |
|----------|--------------|-----------------------|-------|--------------------|
| 1 | N31A5-1020b | HEAD GUARD ASSY | 1 | |
| 2 | 2-B30A5-1030 | PIPE, REAR, RH | 1 | |
| 3 | N31A5-1040 | PIPE, REAR, LH | 1 | |
| 4 | F31A5-12501 | BRACKET, LAMPS, F,RH | 1 | |
| 5 | F31A5-12521 | BRACKET, LAMPS, F,LH | 1 | |
| 6 | F31A5-12331 | BRACKET, LAMPS, R,RH | 1 | |
| 7 | F31A5-12321 | BRACKET ,LAMPS ,R ,LH | 1 | |
| 8 | F31A5-12571 | BRACKET ,MIRROR | 2 | |
| 9 | F31A5-12051 | GRIP | 2 | |
| 10 | F31A5-12551 | MIRROR | 2 | |
| 12 | F31A5-12401 | TUBE | 2 | |
| 13 | S1183-08025 | BOLT | 6 | |
| 14 | S2010-00008 | WASHER | 6 | |
| 15 | S2010-00012 | WASHER | 14 | |
| 16 | S1186-12025 | BOLT | 14 | |
| 17 | S1171-06025 | BOLT | 2 | |
| 18 | F31A5-13081 | RIVET | 6 | |
| 19 | F31A5-13151 | RIVET | 2 | |

Fig.19 ACCELERATOR PEDAL



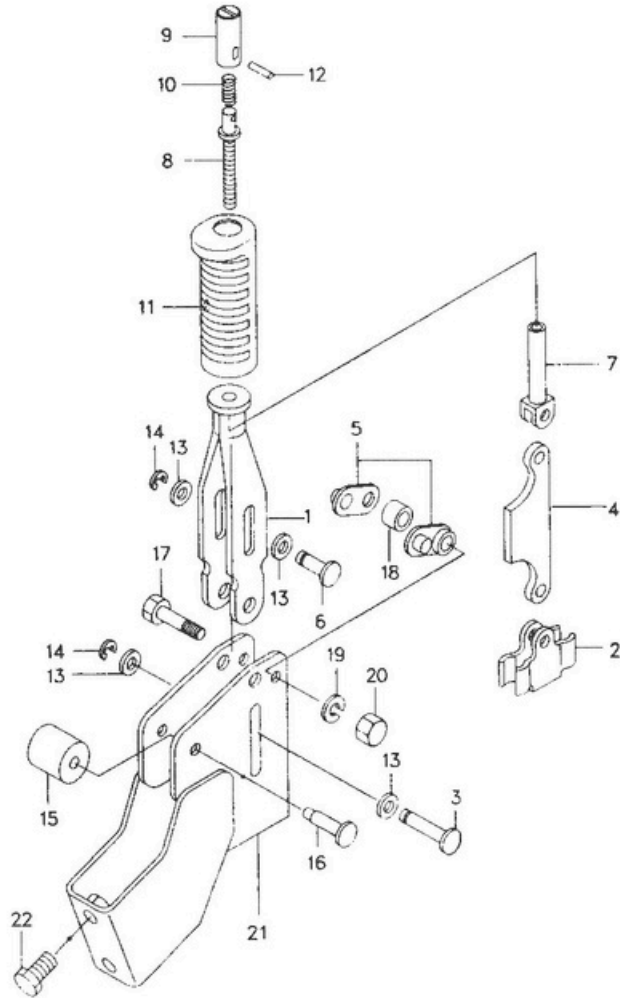
| Item No. | Part No. | Description | Req'd | Remarks:Serial No. |
|----------|---------------|---------------------|-------|--------------------|
| 1 | F31A5-22051 | ACCELERATOR PEDAL | 1 | |
| 2 | A1100-06012 | BOLT | 2 | |
| 3 | S1400-00006 | NUT | 2 | |
| 4 | S2010-00006 | WASHER | 2 | |
| A | N31A5-2010c | BRACKET, link Ass'y | 1 | INC. 5,7-14 |
| 5 | N31A5-2011a | BRACKET | 1 | |
| 6 | S1116-10045 | BOLT | 2 | |
| 7 | N31A5-2012a | LINK | 1 | |
| 8 | F31A5-22111 | § BUSHING | 1 | |
| 9 | F31A5-22031 | § SPRING | 1 | |
| 10 | F31A5-22001 | § ROLLER | 1 | |
| 11 | F31A5-22081 | § PIN, snap | 1 | |
| 12 | S2000-00006 | § WASHER | 2 | |
| 13 | S2000-00010 | § WASHER | 1 | |
| 14 | F31A5-22091 | § PIN, snap | 1 | |
| 15 | F31C5-22101a | WIRE | 1 | |
| 16 | F31A5-22311 | BAND | 1 | |
| 17 | § S2262-06015 | PIN, clevis | 1 | |
| 18 | § S2000-00006 | WASHER | 1 | |
| 19 | § F31A5-22081 | PIN, snap | 1 | |
| 20 | § F31A5-20061 | PIN, clevis | 1 | |
| 21 | § S2000-00005 | WASHER | 1 | |
| 22 | § F31A5-22161 | PIN, snap | 1 | |
| 23 | § F31A5-22101 | BOLT | 1 | |
| 24 | S1400-00012 | NUT | 1 | |
| + | F31A5-22221 | CLAMP | 1 | |

Fig.20 BRAKE PEDAL



| Item No. | Part No. | Description | Req'd | Remarks:Serial No. |
|----------|----------------|--------------------|-------|----------------------|
| 1 | F31A5-42101 | BRAKE FLUID BOTTLE | 1 | |
| 2 | F31A5-42001 | RUBBER HOSE | 1 | |
| 3 | F31A3-80201 | INCHING VALVE ASSY | 1 | |
| 4 | 2-B20L5-42211 | BRAKE PIPE, LH | 1 | 2Ton, 2.5Ton |
| - | 2-B30L5-42211a | BRAKE PIPE, LH | 1 | 3Ton, 3.5Ton 4Ton |
| 5 | 2-B20L5-42201 | BRAKE PIPE, RH | 1 | 2Ton, 2.5Ton |
| - | 2-B30L5-42201a | BRAKE PIPE, RH | 1 | 3Ton, 3.5Ton 4Ton |
| 6 | 2-B30L5-42151 | PIN | 1 | |
| 7 | NO PART NO. | SWITCH, REVERSE | 1 | |
| 8 | 2-B30L4-10101a | BRACKET, BRAKE | 1 | |
| 9 | 2-B30L5-40101a | BRAKE PEDAL | 1 | |

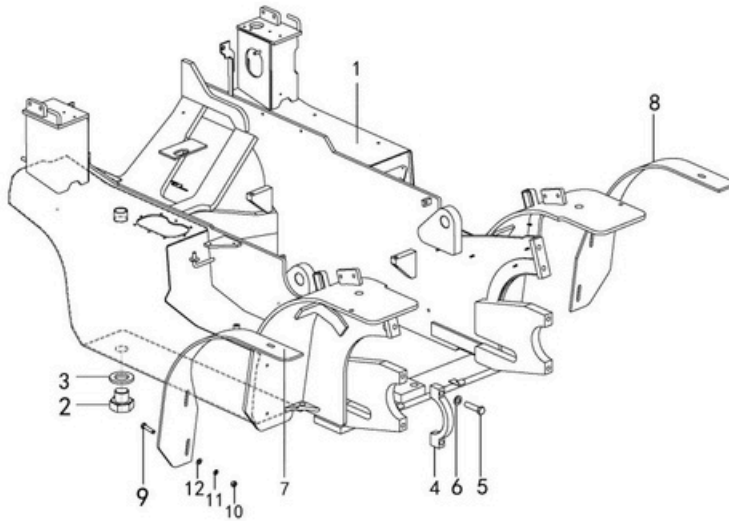
Fig.21 BRAKE LEVER



| Item No. | Part No. | Description | Req'd | Remarks:Serial No. |
|----------|-------------|----------------------------------|-------|--------------------|
| A | F31A5-50101 | BRAKE LEVER ASS'Y (Inc. 1~21) | 1 | |
| 1 | F31A5-52001 | § LEVER | 1 | |
| 2 | F31A5-52151 | § BRACKET | 1 | |
| 3 | F31A5-52041 | § PIN | 1 | |
| 4 | F31A5-52051 | § LINK | 1 | |
| 5 | F31A5-52031 | § SHAFT | 2 | |
| 6 | F31A5-52061 | § PIN | 1 | |
| 7 | F31A5-52301 | § ROD | 1 | |
| 8 | F31A5-52011 | § STUD | 1 | |
| 9 | F31A5-52021 | § BUTTON | 1 | |
| 10 | F31A5-52311 | § SPRING | 1 | |
| 11 | F31A5-52321 | § GRIP | 1 | |
| 12 | F31A5-52311 | § PIN | 1 | |
| 13 | S2000-00008 | § WASHER | 4 | |
| 14 | F31A5-52081 | § E-RING | 2 | |
| 15 | F31A5-52341 | § STOPPER | 1 | |
| 16 | F31A5-52351 | § PIN | 1 | |
| 17 | S1100-10045 | § BOLT | 1 | |
| 18 | F31A5-52361 | § SPACER | 1 | |
| 19 | S2010-00010 | § WASHER | 1 | |
| 20 | F31A5-52141 | § NUT | 1 | |
| 21 | ---- | § BRACKET | 1 | |
| 22 | S1106-10020 | § BOLT | 2 | |

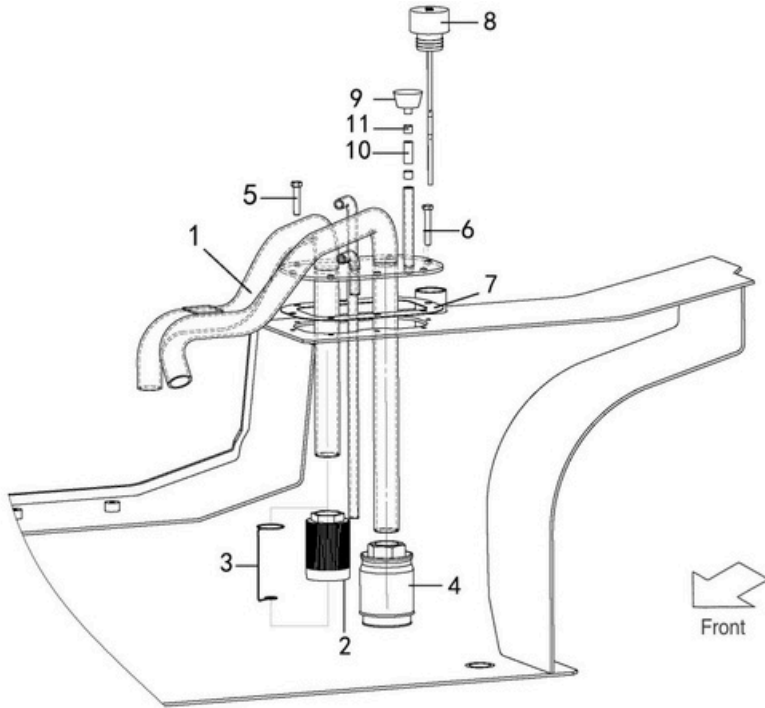
Fig.22

Fig.22 FRAME



| Item No. | Part No. | Description | Req'd | Remarks:Serial No. |
|----------|---------------|---------------|-------|--------------------|
| 1 | 2-B20L6-1001e | FRAME | 1 | 2Ton, 2.5Ton |
| - | 2-B30L6-1001d | FRAME | 1 | 3Ton, 3.5Ton |
| - | 2-B40L6-1001b | FRAME | 1 | 4Ton |
| 2 | F31A6-12051 | PLUG,OIL-RANK | 1 | |
| 3 | F31A6-12061 | PACKING | 1 | |
| 4 | F31A6-12071 | CAP | 2 | |
| 5 | S1100-16065 | BOLT | 4 | |
| 6 | S2010-00016 | WASHER | 4 | |
| 7 | F36J6-13091a | FENDER RH | 1 | |
| 8 | F36J6-13081a | FENDER LH | 1 | |
| 9 | S1116-10045 | BOLT | 6 | |
| 10 | S1401-10010 | NUT | 6 | |
| 11 | S2010-00010 | WASHER | 6 | |
| 12 | S2000-00010 | WASHER | 6 | |

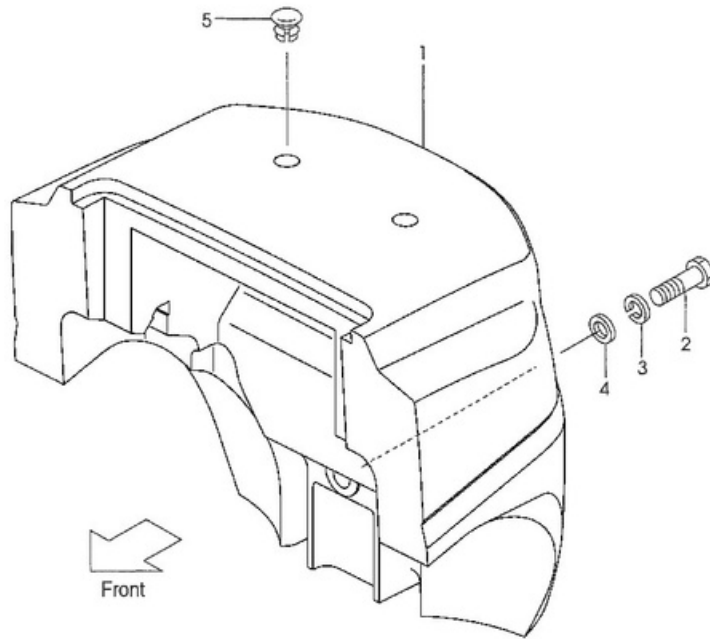
Fig.23 OIL TANK



| Item No. | Part No. | Description | Req'd | Remarks:Serial No. |
|----------|---------------|--------------------------|-------|--------------------|
| 1 | 2-B30L7-5200d | HYDRAULIC PIPE ASSY(1-4) | 1 | |
| A2 | F31A7-52301 | FI LTER ASSY (2-3) | 1 | |
| 2 | F31A7-52081 | FILTER, RETURN | 1 | |
| 3 | F31A7-52311 | FILTER WIRE | 1 | |
| 4 | F31A7-52051 | FILTER, SUCTION | 1 | |
| 5 | F31A7-52151 | BOLT | 6 | |
| 6 | F31A7-52161 | BOLT | 2 | |
| 7 | F31A7-52201 | PACKING | 1 | |
| 8 | F31A7-52101 | CAP, OIL | 1 | |
| 9 | F31A7-53201 | CAP, BREATHER | 1 | |
| 10 | S4710-04005 | HOSE | 1 | |

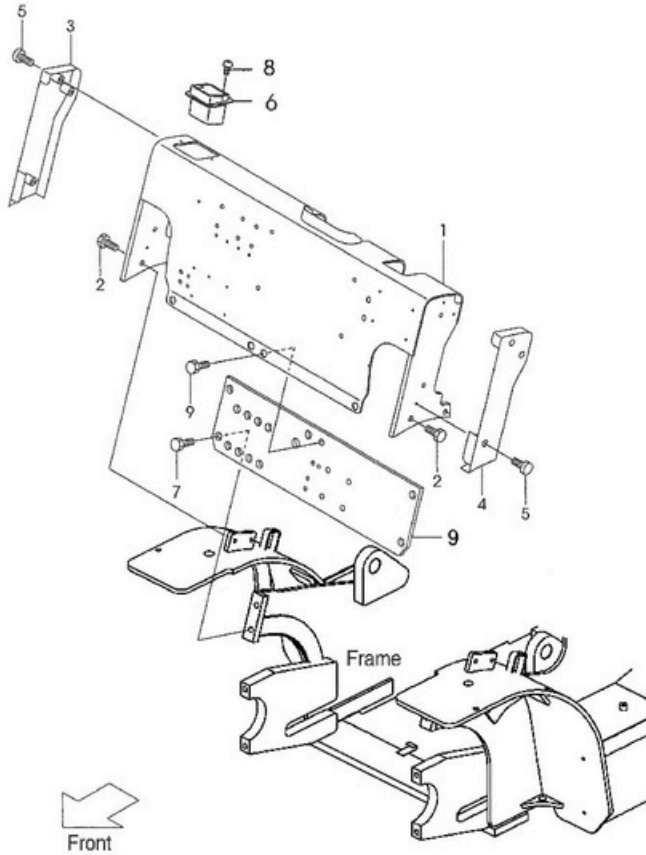
Fig.24

Fig.24 BALANCE WEIGHT



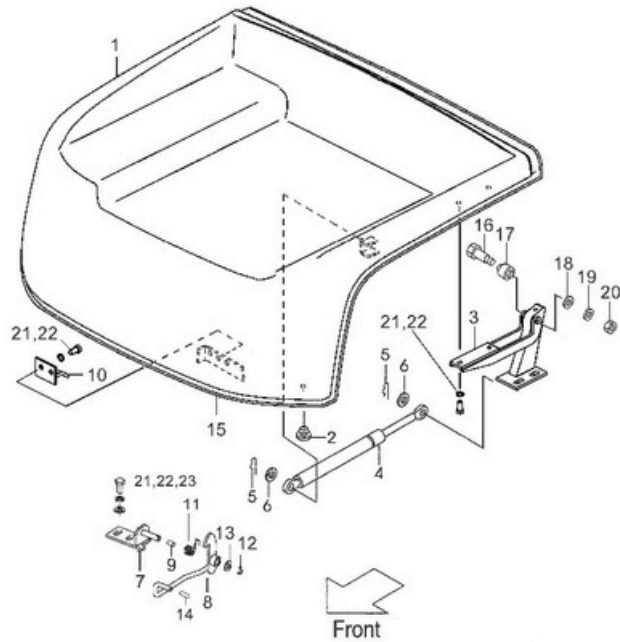
| Item No. | Part No. | Description | Req'd | Remarks:Serial No. |
|----------|-------------|-----------------|-------|--------------------|
| 1 | N21A6-30101 | § WEIGHT,BALANE | 1 | 2Ton |
| - | N21A6-30201 | § WEIGHT,BALANE | 1 | 2.5Ton |
| - | N31A6-30101 | § WEIGHT,BALANE | 1 | 3Ton |
| - | N35A6-30101 | § WEIGHT,BALANE | 1 | 3.5Ton |
| - | N40A6-30101 | § WEIGHT,BALANE | 1 | 4Ton |
| 2 | S1110-30150 | BOLT,2t | 1 | |
| - | S1110-30190 | BOLT,2.5t | 1 | |
| - | S1110-36200 | BOLT,3t-3.5t | 1 | |
| 3 | S2010-00030 | WASHER,2-2.5t | 1 | |
| - | S2010-00036 | WASHER,3t-4t | 1 | |
| 4 | F21A6-32001 | WASHER,2-2.5t | 1 | |
| - | F31A6-32001 | WASHER,3t-4t | 1 | |
| 5 | F31A6-32101 | CAP | 2 | |

Fig.25 FRONT GUARD



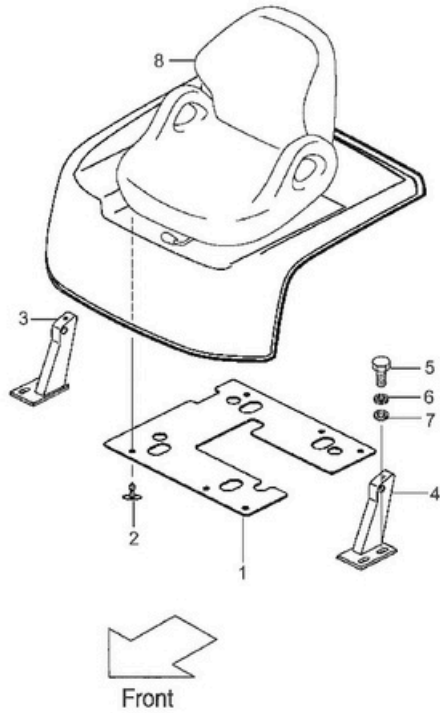
| Item No. | Part No. | Description | Req'd | Remarks:Serial No. |
|----------|---------------|---------------|-------|--------------------|
| 1 | 2-B30L6-40201 | GUARD, FRONT | 1 | |
| 2 | S1186-12025 | BOLT | 4 | |
| 3 | F31A6-43001 | COVER,SIDE RH | 1 | |
| 4 | F31A6-43011 | COVER,SIDE LH | 1 | |
| 5 | F31A6-42251 | SCREW | 12 | |
| 6 | F31A6-49001 | PLATE,FRONT | 1 | |
| 7 | F31A6-43561 | BOLT,FLANGE | 7 | |
| 8 | F31A6-42257 | SCREW | 2 | |
| 9 | 2-B30A6-1214 | PLATE, FRONT | 1 | |

Fig.26 BONNET



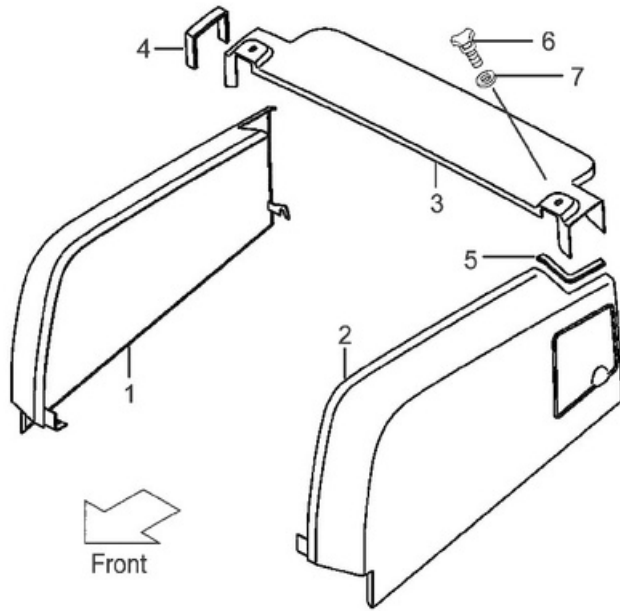
| Item No. | Part No. | Description | Req'd | Remarks:Serial No. |
|----------|---------------|-----------------|-------|--------------------|
| 1 | N31A6-4030 | BONNET | 1 | |
| 2 | F31A6-42181 | STOPPER, BONNET | 2 | |
| 3 | N31A6-4291 | HINGE | 2 | |
| 4 | F31A6-43501 | SPRING, GAS | 1 | |
| 5 | F32A5-42171 | PIN, SNAP | 2 | |
| 6 | S2000-00008 | WASHER | 2 | |
| 7 | 2-B20L6-42901 | BRACKET | 1 | |
| 8 | 2-B30L6-42911 | LATCH | 1 | |
| 9 | F31A6-42101 | BUSHING | 1 | |
| 10 | F31A6-42501 | HOOK | 1 | |
| 11 | F31A6-42511 | SPRING | 1 | |
| 12 | F31A6-43141 | PIN, SNAP | 1 | |
| 13 | S2000-00010 | WASHER | 1 | |
| 14 | F31A6-42191 | CAP | 1 | |
| 15 | NO PART NO. | SEAL, RUBBER | 1 | |
| 16 | F31A6-42931 | BOLT | 2 | |
| 17 | F31A6-43601 | BUSHING | 2 | |
| 18 | S2000-00006 | WASHER | 2 | |
| 19 | S2010-00006 | WASHER | 2 | |
| 20 | S1400-00006 | NUT | 2 | |
| 21 | S1193-08016 | BOLT | 8 | |
| 22 | S2010-00008 | WASHER | 8 | |
| 23 | S2000-00008 | WASHER | 8 | |

Fig.27 INSULATOR & BRACKET



| Item No. | Part No. | Description | Req'd | Remarks:Serial No. |
|----------|-------------|-------------|-------|--------------------|
| 1 | NO PART NO. | INSULATOR | 1 | |
| 2 | NO PART NO. | CLIP | 6 | |
| 3 | N31A6-4231b | BRACKET, RH | 1 | |
| 4 | N31A6-4230a | BRACKET, LH | 1 | |
| 5 | S1106-08035 | BOLT | 4 | |
| 6 | S2010-00008 | WASHER | 4 | |
| 7 | S2000-00008 | WASHER | 4 | |
| 8 | F31A6-81501 | SEAT | 1 | |

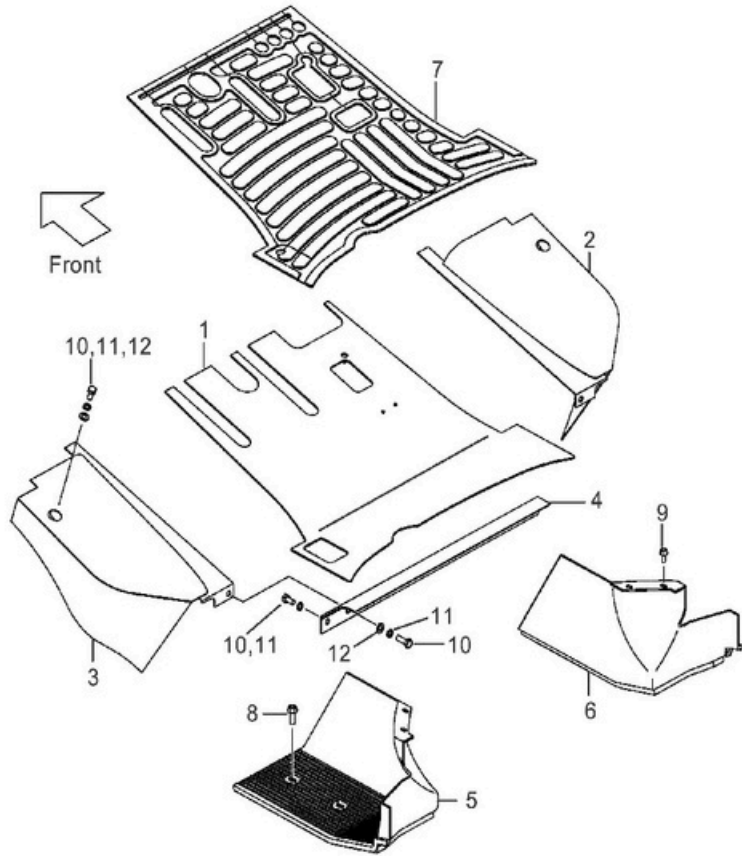
Fig.28 COVER



| Item No. | Part No. | Description | Req'd | Remarks:Serial No. |
|----------|-------------|---------------|-------|--------------------|
| 1 | N31A6-4025 | COVER,SIDE,RH | 1 | |
| 2 | N31A6-4026 | COVER,SIDE,LH | 1 | |
| 3 | N31A6-40501 | COVER, | 1 | |
| 4 | NO PART NO. | RADIATOR | 2 | |
| 5 | NO PART NO. | EDGING | 2 | |
| 6 | F31A6-42451 | BOLT,KNOB | 2 | |
| 7 | S2000-00008 | WASHER | 2 | |

Fig.29

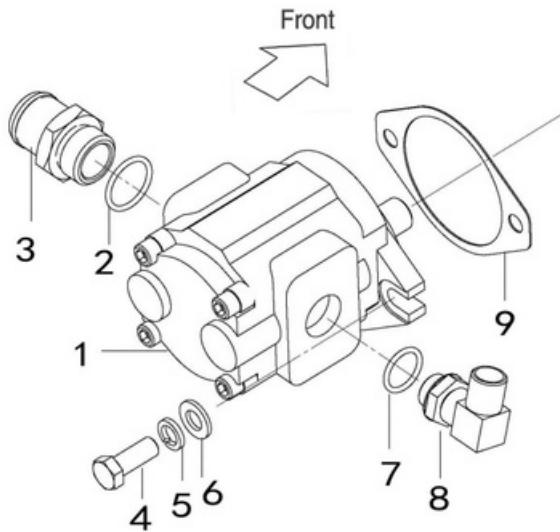
Fig.29 COVER



| Item No. | Part No. | Description | Req'd | Remarks:Serial No. |
|----------|---------------|-----------------|-------|--------------------|
| 1 | 2-B30L6-50101 | FLOOR BOARD | 1 | |
| 2 | N31A6-4255c | COVER, CYD.RH | 1 | |
| 3 | N31A6-4256c | COVER, CYD.LH | 1 | |
| 4 | N31A6-5011a | ANGLE | 1 | |
| 5 | N31A6-42051 | COVER, STEP, LH | 1 | |
| 6 | N31A6-42041 | COVER, STEP, RH | 1 | |
| 7 | 2-B31A6-52201 | MAT, FLOOR | 1 | |
| 8 | N31A6-42001 | SCREW | 4 | |
| 9 | F31A2-42621 | SCREW | 4 | |
| 10 | S1106-10030 | BOLT | 6 | |
| 11 | S2010-00010 | WASHER | 6 | |
| 12 | S2000-00010 | WASHER | 4 | |

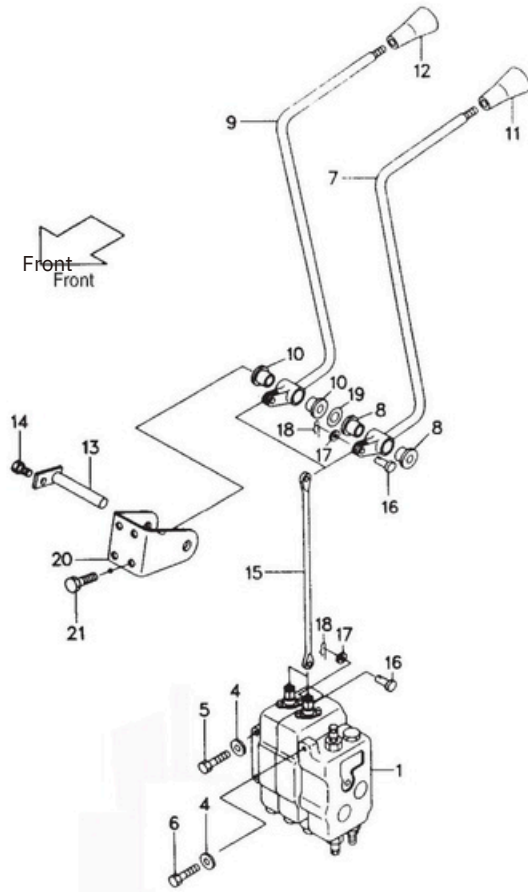
Fig.30

Fig.30 MAIN PUMP



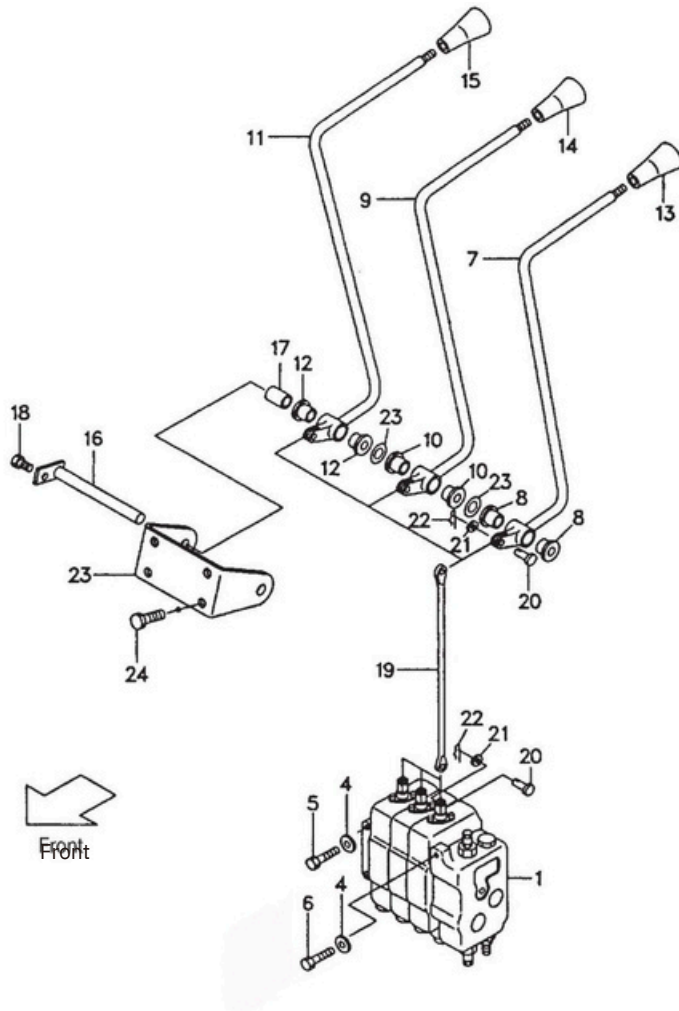
| Item No. | Part No. | Description | Req'd | Remarks:Serial No. |
|----------|---------------|-------------|-------|--------------------|
| 1 | TMG1A25A1H5-R | GEAR PUMP | 1 | 2Ton, 2.5Ton |
| - | TMG1A30A1H5-R | GEAR PUMP | 1 | 3Ton, 3.5Ton |
| | | | | 4Ton |
| 2 | NO PART NO. | O RING | 1 | |
| 3 | F31A7-12021 | CONNECTOR | 1 | |
| 4 | S1185-10030 | BOLT | 2 | |
| 5 | NO PART NO | WASHER | 2 | |
| 6 | NO PART NO | WASHER | 2 | |
| 7 | NO PART NO | O RING | 1 | |
| 8 | F31A7-60302a | CONNECTOR | 1 | |
| 9 | NO PART NO. | GASKET | 1 | |

Fig.31 VALVE CONTROL LINKAGE (2SV)



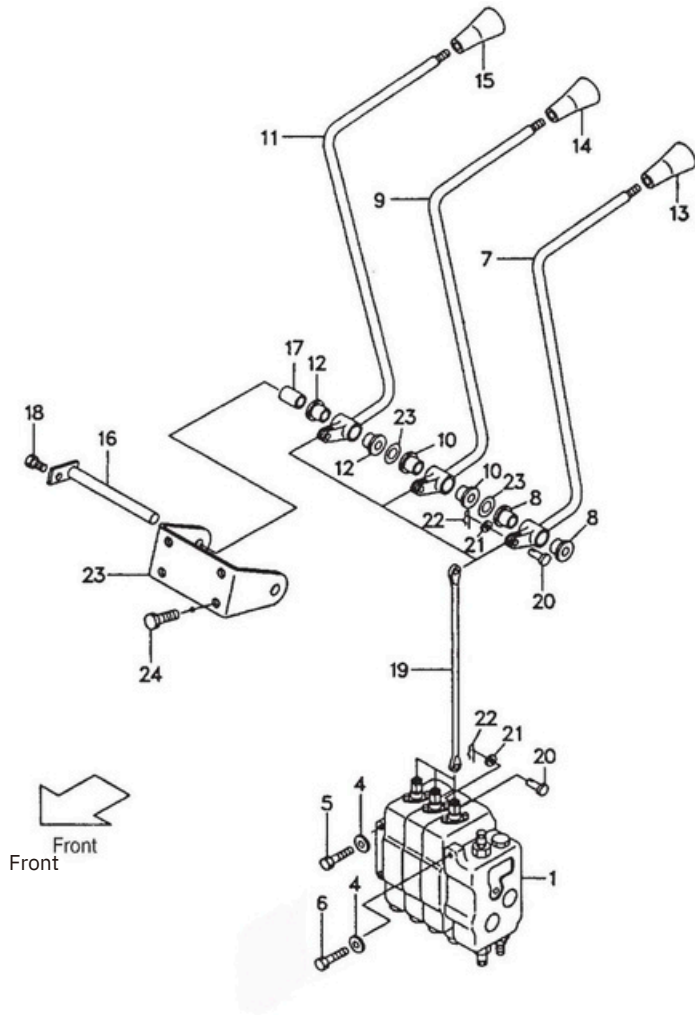
| Item No. | Part No. | Description | Req'd | Remarks:Serial No. |
|----------|------------------|---------------------------------|-------|--------------------|
| 1 | CDB3-F15DY-02-TU | CONTROLVALVE | 1 | |
| 4 | F31A7-32021 | WASHER | 3 | |
| 5 | F31A7-32041 | BOLT | 2 | |
| 6 | F31A7-32051 | BOLT | 1 | |
| A | F31A7-40011 | LIFT LEVER ASS'Y (Inc. 7, 8) | 1 | |
| 7 | F31A7-40101 | § LEVER, lift | 1 | |
| 8 | F31A7-42071 | BUSHING | 2 | |
| B | F31A7-40021 | TILT LEVER ASS'Y (Inc.9, 10) | 1 | |
| 9 | F31A7-40201 | § LEVER, lift | 1 | |
| 10 | F31A7-42071 | BUSHING | 2 | |
| 11 | F31A7-42001 | KNOB,tilt | 1 | |
| 12 | F31A7-42011 | KNOB,tilt | 1 | |
| 13 | F31A7-42221 | SHAFT | 1 | |
| 4 | S1183-06012 | BOLT | 1 | |
| 15 | E31C7-32081 | JOINT | 2 | |
| 16 | F31A7-42181 | PIN | 4 | |
| 17 | S2000-00005 | WASHER | 4 | |
| 18 | S2200-16010 | PIN,snap | 4 | |
| 19 | F31A7-42191 | SHIM | AR | |
| 20 | F31A7-42101 | BRACKET | 1 | |
| 21 | S1183-08020 | BOLT | 4 | |

Fig.32 VALVE CONTROL LINKAGE (3SV)



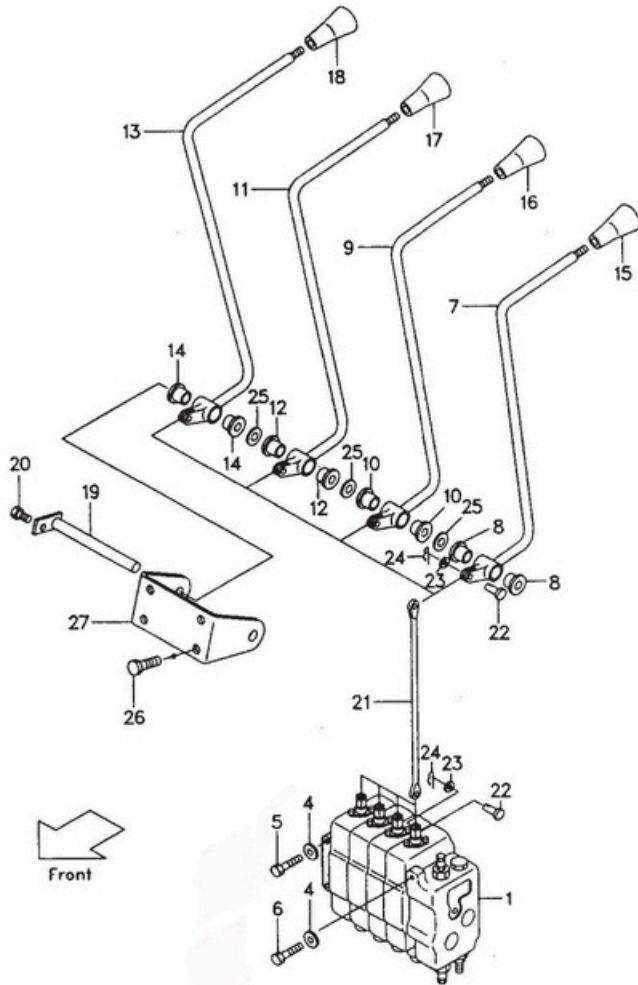
| Item No. | Part No. | Description | Req'd | Remarks:Serial No. |
|----------|----------------------|------------------------------------|-------|--------------------|
| 1 | CDB3-F15DY-03 -TU | CONTROL VALVE | 1 | |
| 4 | F31A7-32021 | WASHER | 3 | |
| 5 | F31A7-32041 | BOLT | 2 | |
| 6 | F31A7-32051 | BOLT | 1 | |
| A | F31A7-40011 | LIFT LEVER ASS'Y (Inc. 7, 8) | 1 | |
| 7 | F31A7-40101 | § LEVER, lift | 1 | |
| 8 | F31A7-42011 | BUSHING | 2 | |
| B | F31A7-40021 | TILT LEVER ASS'Y (Inc. 9, 10) | 1 | |
| 9 | F31A7-40201 | § LEVER, tilt | 1 | |
| 10 | F31A7-42071 | BUSHING | 2 | |
| C | F31A7-40031 | THIRD LEVER ASS'Y (Inc. 11, 12) | 1 | |
| 11 | F31A7-40301 | § LEVER, third | 1 | |
| 12 | F31A7-42071 | BUSHING | 2 | |
| 13 | F31A7-42001 | KNOB, lift | 1 | |
| 14 | F31A7-42011 | KNOB,tilt | 1 | |
| 15 | F31A7-42021 | KNOB, third | 1 | |
| 16 | F31A7-42231 | SHAFT | 1 | |
| 17 | F31A7-42311 | COLLAR | 1 | |
| 18 | S1183-06012 | BOLT | 1 | |
| 19 | E31C7-32081 | JOINT | 3 | |
| 20 | F31A7-42181 | PIN | 6 | |
| 21 | S2000-00005 | WASHER | 6 | |
| 22 | S2200-16010 | PIN, snap | 6 | |
| 23 | F31A7-42191 | SHIM | AR | |

Fig.32 VALVE CONTROL LINKAGE (3SV)



| Item No. | Part No. | Description | Req'd | Remarks:Serial No. |
|----------|-------------|-------------|-------|--------------------|
| 24 | F31A7-42111 | BRACKET | 1 | |
| 25 | S1183-08020 | BOLT | 4 | |

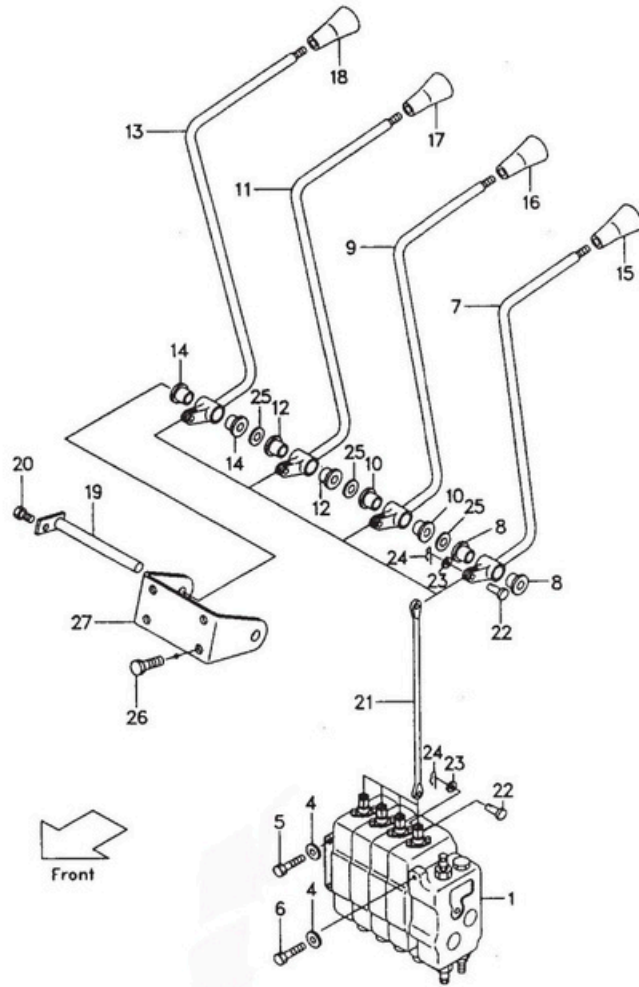
Fig.33 VALVE CONTROL LINKAGE (4SV)



| Item No. | Part No. | Description | Req'd | Remarks:Serial No. |
|----------|----------------------|-------------------------------------|-------|--------------------|
| 1 | CDB3-F15DY-04 -TU | CONTROL VALVE | 1 | |
| 4 | F31A7-32021 | WASHER | 3 | |
| 5 | F31A7-32041 | BOLT | 2 | |
| 6 | F31A7-32051 | BOLT | 1 | |
| A | F31A7-40011 | LIFT LEVER ASS'Y (Inc. 7, 8) | 1 | |
| 7 | F31A7-40101 | § LEVER, lift | 1 | |
| 8 | F31A7-42071 | BUSHING | 2 | |
| B | F31A7-40021 | TILT LEVER ASS'Y (Inc. 9, 10) | 1 | |
| 9 | F31A7-40201 | § LEVER, tilt | 1 | |
| 10 | F31A7-42071 | BUSHING | 2 | |
| C | F31A7-40031 | THIRD LEVER ASS'Y (Inc. 11, 12) | 1 | |
| 11 | F31A7-40301 | § LEVER, third | 1 | |
| 12 | F31A7-42071 | BUSHING | 2 | |
| D | F31A7-40041 | FOURTH LEVER ASS'Y (Inc. 13, 14) | 1 | |
| 13 | F31A7-40401 | § LEVER, fourth | 1 | |
| 14 | F31A7-42071 | BUSHING | 2 | |
| 15 | F31A7-42001 | KNOB, lift | 1 | |
| 16 | F31A7-42011 | KNOB, tilt | 1 | |
| 17 | F31A7-42021 | KNOB, third | 1 | |
| 18 | F31A7-42031 | KNOB, fourth | 1 | |
| 19 | F31A7-42231 | SHAFT | 1 | |
| 20 | S1183-06012 | BOLT | 1 | |
| 21 | E31C7-32081 | JOINT | 4 | |

Fig.33

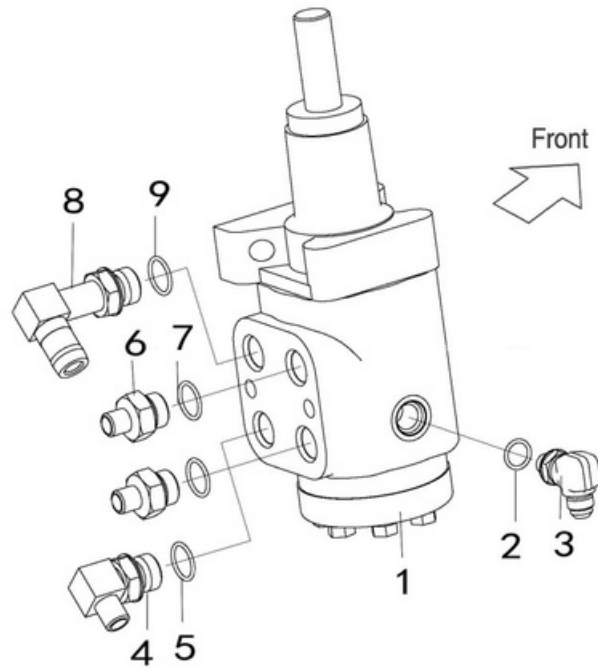
Fig.33 ALVE CONTROL LINKAGE (4SV)



| Item No. | Part No. | Description | Reqd | Remarks:Serial No. |
|----------|-------------|-------------|------|--------------------|
| 2 | F31A4-42181 | PIN | 8 | |
| 2 | S2000-00005 | WASHER | 8 | |
| 2 | S2200-16010 | PIN, | 8 | |
| 3 | F31A7-42191 | snap | AR | |
| 2 | F31A7-42111 | SHIM | 1 | |
| 4 | S1183-08000 | BRACKET | 4 | |
| 2 | | BOLT | | |
| 5 | | | | |
| 2 | | | | |
| 6 | | | | |
| 2 | | | | |
| 7 | | | | |

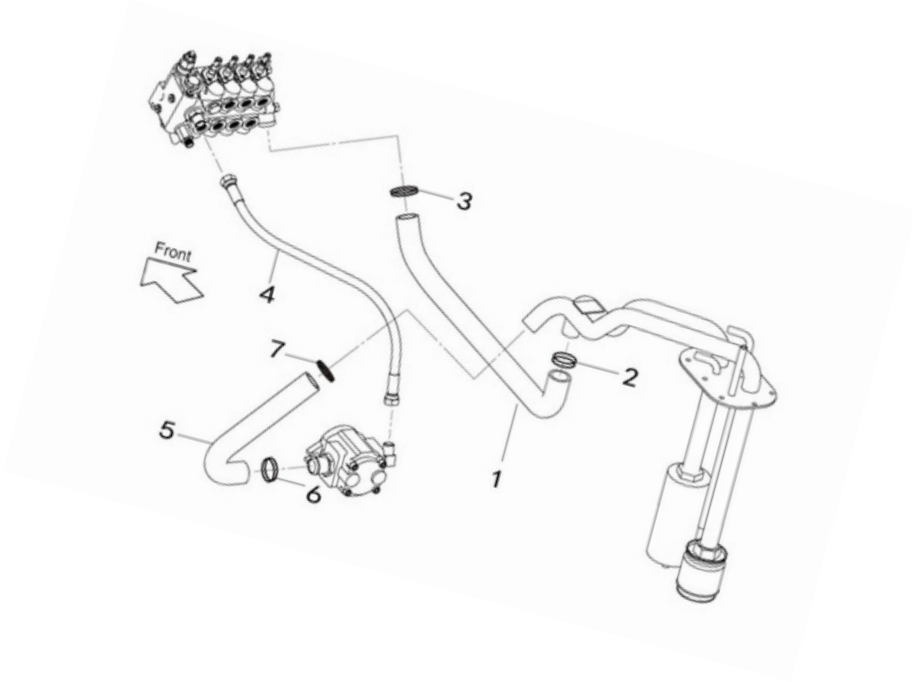
Fig.34

Fig.34 FITTING (ORBITROL)



| Item No. | Part No. | Description | Req'd | Remarks:Serial No. |
|----------|---------------|-------------|-------|--------------------|
| 1 | F31A4-60451 | ORBITROL | 1 | |
| A1 | F31A7-60351 | ELBOW | 1 | INC. 2, 3 |
| 2 | S9140-00006 | O RING | 1 | |
| 3 | NO PART NO. § | ELBOW | 1 | |
| A2 | F31A7-60361 | ELBOW | 1 | INC. 4, 5 |
| 4 | NO PART NO. § | ELBOW | 1 | |
| 5 | S9140-00006 | O RING | 1 | |
| A3 | F31A7-60371 | ELBOW | 2 | INC. 6, 7 |
| 6 | NO PART NO. § | ELBOW | 2 | |
| 7 | S9140-00006 | O RING | 2 | |
| A4 | F31A7-60381 | ELBOW | 1 | INC. 8, 9 |
| 8 | NO PART NO. § | ELBOW | 1 | |
| 9 | S9140-00006 | O-RING | 1 | |

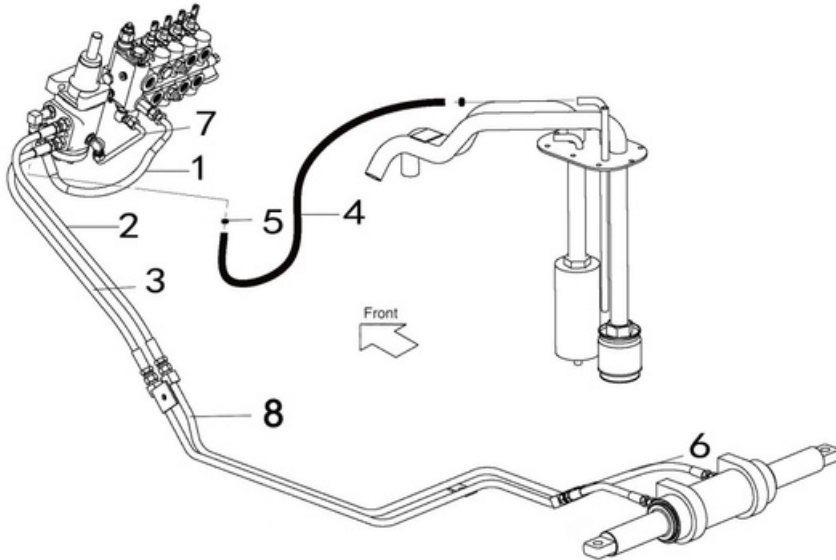
Fig.35 FITTING (ORBITROL)



| Item No. | Part No. | Description | Req'd | Remarks:Serial No. |
|----------|----------------|--------------|-------|--------------------|
| 1 | 2-B30L7-62101b | HOSE,SUCTION | 1 | |
| 2 | NO PART NO. | CLAMP | 1 | |
| 3 | NO PART NO. | CLAMP | 1 | |
| 4 | 2-B30L7-62111b | HOSE | 1 | |
| 5 | F31C7-62111 | HOSE,SUCTION | 1 | |
| 6 | NO PART NO. | CLAMP | 1 | |
| 7 | NO PART NO. | CLAMP | 1 | |

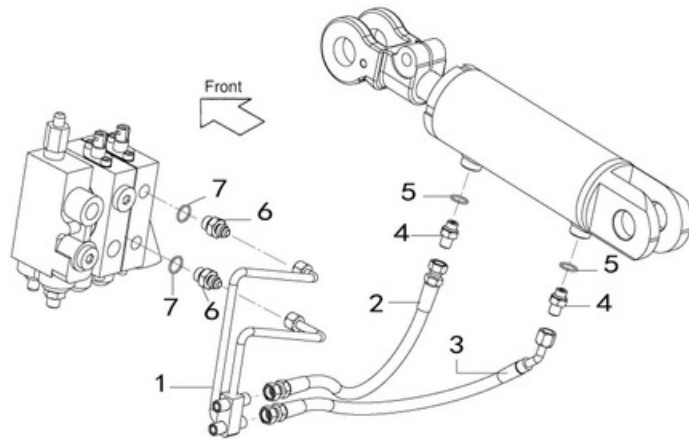
Fig.36

Fig.36 HYDRAULIC LINE



| Item No. | Part No. | Description | Req'd | Remarks:Serial No. |
|----------|----------------|-----------------|-------|----------------------|
| 1 | E31C7-60401 | PIPE, OIL-IN | 1 | |
| 2 | S4601-11071 | STEERING PIPE | 1 | |
| 3 | S4601-11069 | STEERING PIPE | 1 | |
| 4 | S4710-04165 | HOSE, RETURNING | 1 | |
| 5 | S4911-00021 | OIL CLAMP | 2 | |
| 6 | S4601-11028GS | STEERING PIPE | 2 | 2Ton, 2.5Ton |
| - | S4601-11035GS | STEERING PIPE | 2 | 3Ton, 3.5Ton |
| - | S4601-11045GS | STEERING PIPE | 2 | 4Ton |
| 7 | 2-B30L7-60301 | PIPE,TILT | 1 | |
| 8 | 2-B20L4-10101 | PIPE | 1 | 2Ton, 2.5Ton |
| - | 2-B30L4-10101a | PIPE | 1 | 3Ton, 3.5Ton 4Ton |

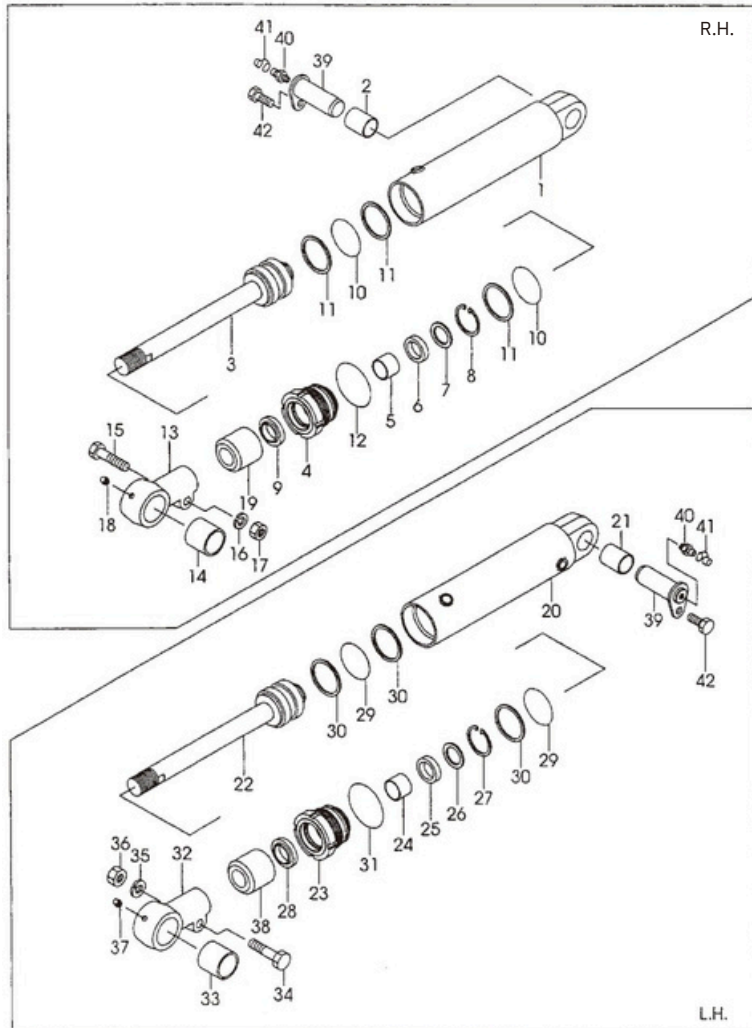
Fig.37 HYDRAULIC LINE [TILT]



| Item No. | Part No. | Description | Req'd | Remarks:Serial No. |
|----------|---------------|-------------|-------|--------------------|
| 1 | E31C7-62211 | PIPE, TILT | 1 | |
| 2 | E31C7-62221 | HOSE | 2 | |
| 3 | E31C7-62231 | HOSE | 2 | |
| A1 | F31A7-60391 | CONNECTOR | 2 | INC. 4, 5 |
| 4 | NO PART NO. § | CONNECTOR | 2 | |
| 5 | S3320-00110 | O RING | 2 | |
| A2 | F31A7-60321 | CONNECTOR | 2 | INC.6,7 |
| 6 | NO PART NO. § | CONNECTOR | 2 | |
| 7 | S3320-00110 | O RING | 2 | |

Fig.38

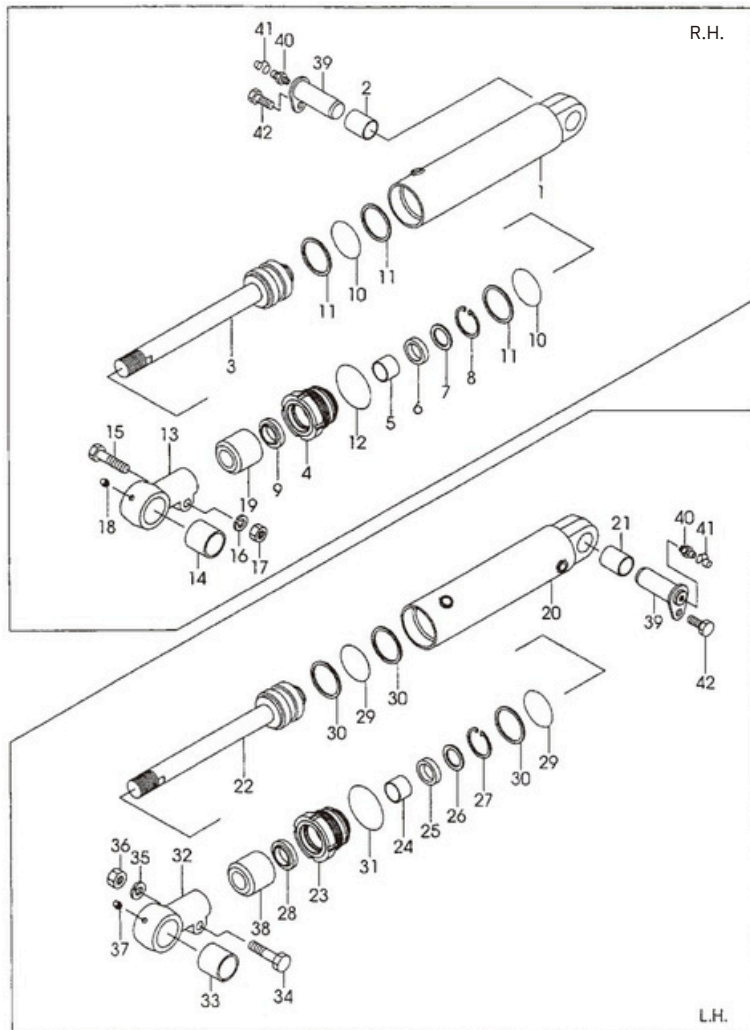
Fig.38 TILT CYLINDER



| Item No. | Part No. | Description | Req'd | Remarks:Serial No. |
|----------|---------------|--------------------|-------|--------------------|
| A1 | F31A8-50101 | CYL-ASS'Y, TILT RH | 1 | INC. 1-19 |
| A2 | B-B670B-00086 | TUBE-ASS'Y,RH | 1 | INC. 1, 2 |
| 1 | NO PART NO. | § TUBE, RH | 1 | |
| 2 | B-30421-30005 | BUSHING | 1 | |
| 3 | B-B6127-20612 | BUSHING | 1 | |
| 4 | B-30121-70133 | ON CAP, CYL | 1 | |
| 5 | B-96401-30159 | BUSHING | 1 | |
| 6 | B-30961-03012 | ※ U-RING | 1 | |
| 7 | B-30151-03006 | SPACER | 1 | |
| 8 | B-30141-35012 | RING, SNAP | 1 | |
| 9 | B-30191-30025 | ※ RING, WIPER | 1 | |
| 10 | B-95112-06000 | ※ O-RING | 1 | |
| 11 | B-95713-06000 | ※ RING, BACK-UP | 2 | |
| 12 | B-95121-07000 | ※ O-RING | 3 | |
| A3 | B-3065B-00211 | END-ASS'Y | 1 | |
| 13 | NO PART NO. | § END | 1 | INC. 13, 14 |
| 14 | B-30431-35009 | BUSHING | 1 | |
| 15 | B-B6341-01401 | BOLT | 1 | |
| 16 | B-30311-01403 | WASHER | 1 | |
| 17 | B-B6351-01401 | NUT | 1 | |
| 18 | B-96111-10613 | FITTING | 1 | |
| 19 | NO PART NO. | SPACER | 1 | |
| A4 | F31A8-50111 | CYL-ASS'Y,TILT LH | 1 | INC. 20-38 |
| A5 | B-B670B-00087 | TUBE-ASS'Y, LH | 1 | INC. 20, 21 |
| 20 | NO PART NO. | § TUBE, LH | 1 | |
| 21 | B-30421-30005 | BUSHING | 1 | |
| 22 | B-B6127-20612 | ROD, PISTON | 1 | |

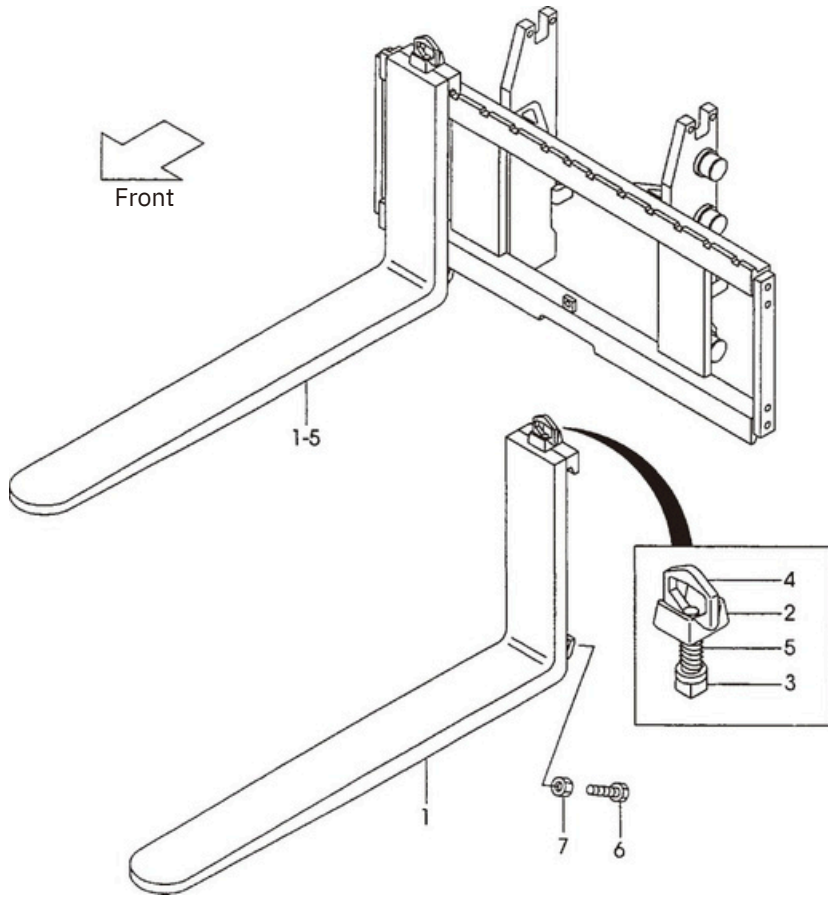
Fig.38

Fig.38 TILT CYLINDER



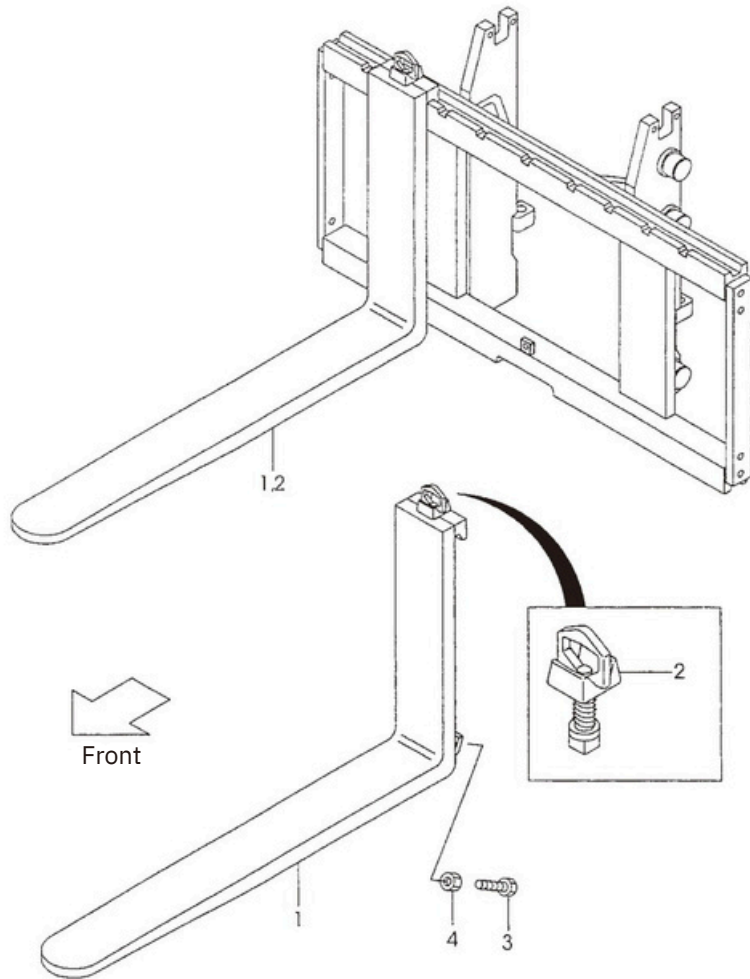
| Item No. | Part No. | Description | Req'd | Remarks:Serial No. |
|----------|-----------------|----------------|-------|--------------------|
| 23 | B-30121-70133 | CAP, CYL | 1 | |
| 24 | B-96401-30159 | BUSHING | 1 | |
| 25 | B-30961-03012※ | U-RING | 1 | |
| 26 | B-30151-03006 | SPACER | 1 | |
| 27 | B-30141-35012 | RING, SNAP | 1 | |
| 28 | B-30191-30025※ | RING, WIPER | 1 | |
| 29 | B-95112-06000※ | O-RING | 2 | |
| 30 | B-95713-06000※ | RING, BACK-UP | 3 | |
| 31 | B-95121-07000※ | O-RING | 1 | |
| A6 | B-3065B-00211 | END-ASS'Y | 1 | INC. 32, 33 |
| 32 | NO PART NO. § | END | 1 | |
| 33 | B-30431-35009 § | BUSHING | 1 | |
| 34 | B-B6341-01401 | BOLT | 1 | |
| 35 | B-30311-01403 | WASHER | 1 | |
| 36 | B-B6351-01401 | NUT | 1 | |
| 37 | B-96111-10613 | FITTING | 1 | |
| 38 | NO PART NO. | SPACER | 1 | |
| 39 | F31A8-52201 | PIN | 2 | |
| 40 | F31A8-53051 | FITTING | 2 | |
| 41 | F31A8-53061 | CAP | 2 | |
| 42 | S1184-10020 | BOLT | 2 | |
| K1 | B-3070A-00103 | KIT, REPAIR RH | 1 | INC. 6, 9-12 |
| K2 | B-3070A-00103 | KIT, REPAIR LH | 1 | INC. 25, 28-31 |

Fig.39 FORK [VM21A]



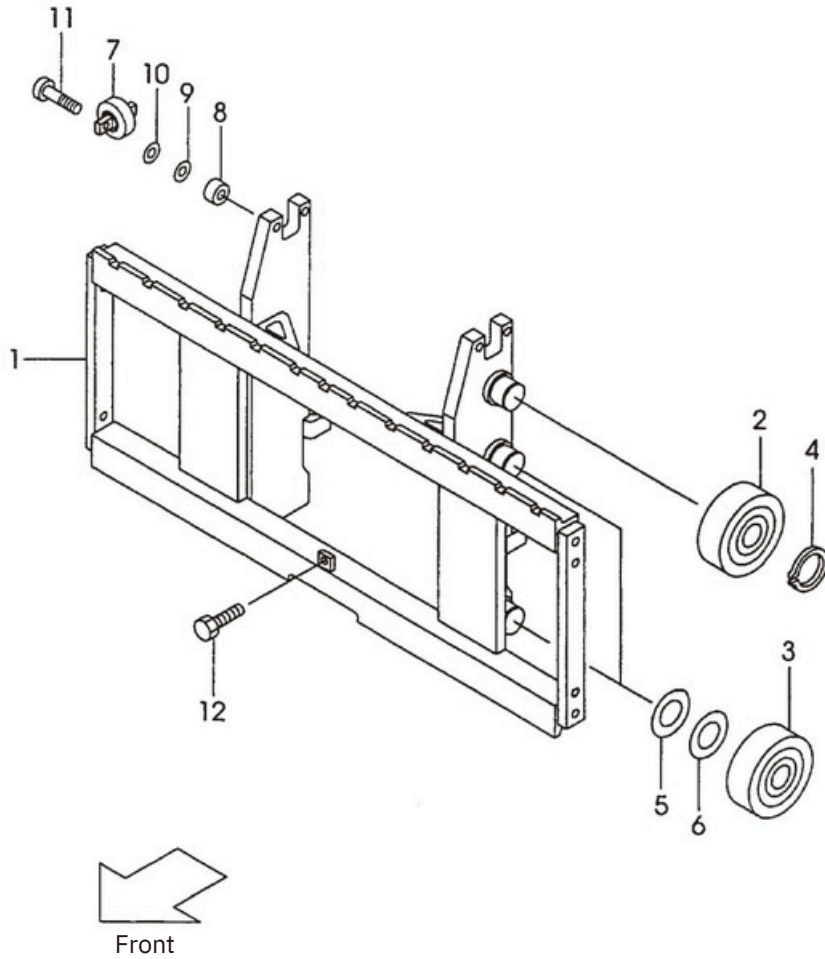
| Item No. | Part No. | Description | Req'd | Remarks:Serial No. |
|----------|-------------|-------------|-------|--------------------|
| 1 | LF107-14A | FORK | 2 | [LF100]INC. 2-5 |
| - | LF122-14A | FORK | 2 | [LF120]INC. 2-5 |
| - | LF137-14A | FORK | 2 | [LF130]INC. 2-5 |
| - | LF152-14A | FORK | 2 | [LF150]INC. 2-5 |
| - | LF167-14A | FORK | 2 | [LF160]INC. 2-5 |
| - | LF182-14A | FORK | 2 | [LF180]INC. 2-5 |
| 2 | F21A8-12001 | HEAD | 2 | |
| 3 | F21A8-12011 | STOPPER | 2 | |
| 4 | F21A8-12021 | HANDLE | 2 | |
| 5 | F21A8-12031 | SPRING | 2 | |

Fig.40 FORK [VM31A]



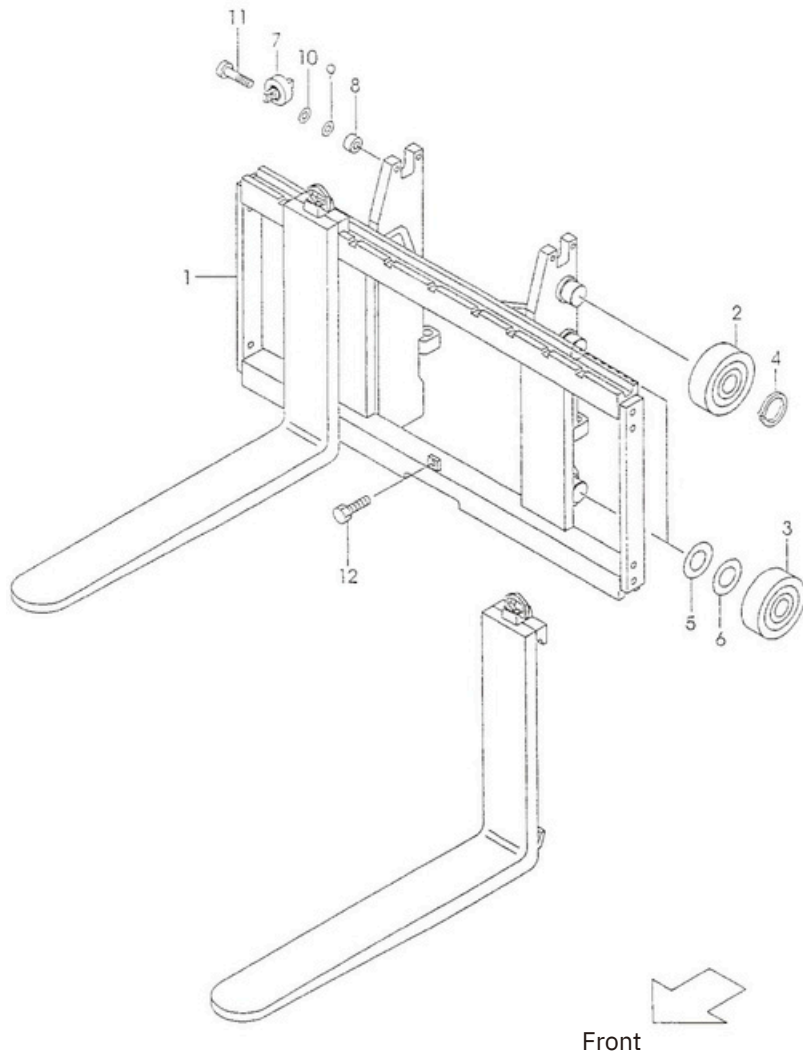
| Item No. | Part No. | Description | Req'd | Remarks:Serial No. |
|----------|-------------|-------------|-------|--------------------|
| 1 | LF107-14J | FORK | 2 | [LF107]INC. 2 |
| - | LF122-14J | FORK | 2 | [LF122]INC. 2 |
| - | LF137-14J | FORK | 2 | [LF137]INC. 2 |
| - | LF152-14J | FORK | 2 | [LF152]INC. 2 |
| - | LF167-14J | FORK | 2 | [LF167]INC. 2 |
| - | LF182-14J | FORK | 2 | [LF182]INC. 2 |
| - | LF197-14J | FORK | 2 | [LF197]INC. 2 |
| - | LF212-14J | FORK | 2 | [LF212]INC. 2 |
| 2 | F31A8-11001 | STOPPER | 2 | |

Fig.41 LIFT BRACKET [VM21A]



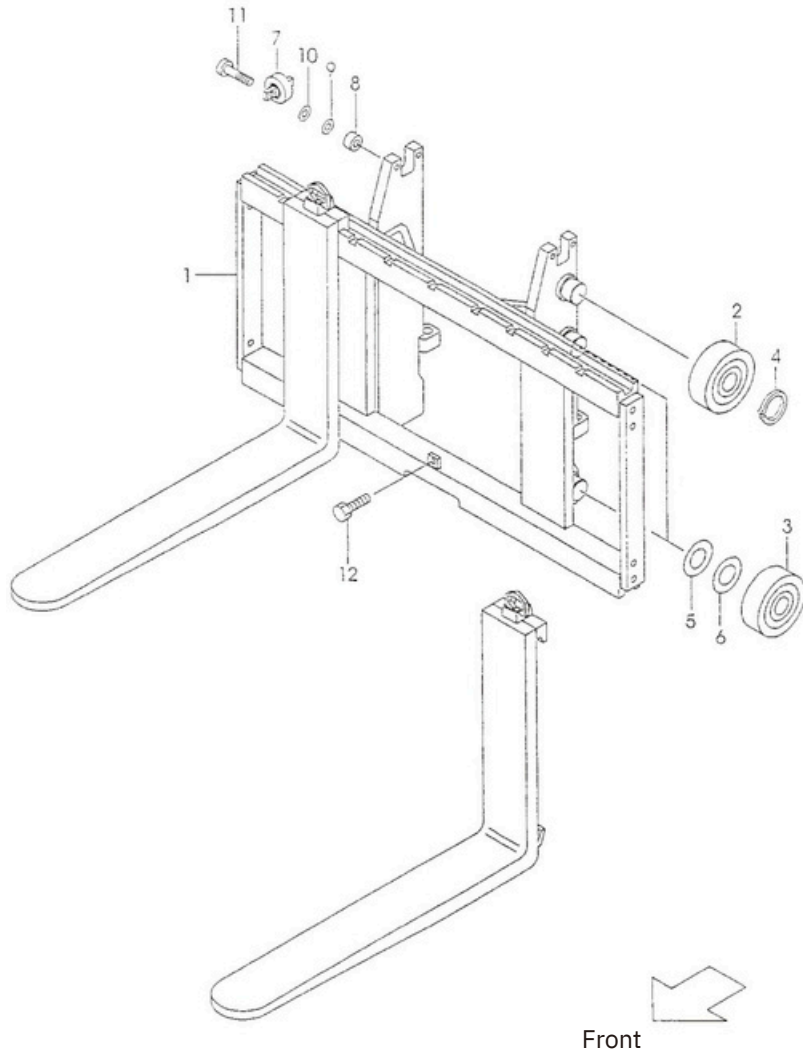
| Item No. | Part No. | Description | Req'd | Remarks:Serial No. |
|----------|-------------|---------------|-------|--------------------|
| 1 | F21A8-20002 | BRACKET, LIFT | 1 | |
| 2 | F31A8-42051 | ROLLER, END | 2 | |
| 3 | F31A8-42051 | ROLLER, END | 4 | |
| 4 | S2100-00045 | RING, SNAP | 2 | |
| 5 | F21A8-22021 | SHIM, T-0.5 | 5 | |
| 6 | F21A8-22031 | SHIM, T-1.0 | 5 | |
| 7 | F31A8-42061 | ROLLER, SIDE | 2 | |
| 8 | F21A8-22091 | SPACER | 4 | |
| 9 | F21A8-22081 | SHIM, T-0.5 | 5 | |
| 10 | F21A8-22061 | SHIM, T-1.0 | 5 | |
| 11 | S1184-12050 | BOLT & WASHER | 4 | |
| 12 | S1184-12025 | BOLT | 1 | |

Fig.42 LIFT BRACKET [VM 31A]



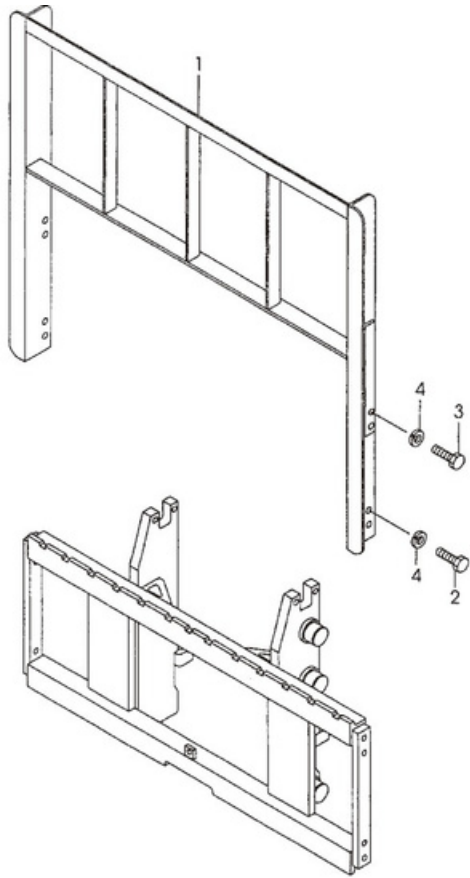
| Item No. | Part No. | Description | Req'd | Remarks:Serial No. |
|----------|-------------|---------------|-------|--------------------|
| 1 | F31A8-20002 | BRACKET, LIFT | 1 | 3Ton |
| - | F36A8-20002 | BRACKET, LIFT | 1 | 3.5Ton |
| 2 | F31A8-42051 | ROLLER, END | 2 | |
| 3 | F31A8-42051 | ROLLER, END | 4 | |
| 4 | S2100-00045 | RING, SNAP | 2 | |
| 5 | F21A8-22021 | SHIM, T-0.5 | 5 | |
| 6 | F21A8-22031 | SHIM, T-1.0 | 5 | |
| 7 | F31A8-42061 | ROLLER, SIDE | 2 | |
| 8 | F21A8-22091 | SPACER | 4 | |
| 9 | F21A8-22081 | SHIM | 5 | |
| 10 | F21A8-22061 | SHIM | 5 | |
| 11 | S1184-12050 | BOLT & WASHER | 4 | |
| 12 | S1184-12025 | BOLT & WASHER | 1 | |

Fig.43 LIFT BRACKET [VM41A]



| Item No. | Part No. | Description | Req'd | Remarks:Serial No. |
|----------|-------------|---------------|-------|--------------------|
| 1 | F38A8-20002 | BRACKET,LIFT | 1 | |
| 2 | F31A8-42051 | ROLLER,END | 2 | |
| 3 | F31A8-42051 | ROLLER,END | 4 | |
| 4 | S2100-00045 | RING, SNAP | 2 | |
| 5 | F21A8-22021 | SHIM,T-0.5 | 5 | |
| 6 | F21A8-22031 | SHIM,T-1.0 | 5 | |
| 7 | F31A8-42061 | ROLLER,SIDE | 2 | |
| 8 | F21A8-22091 | SPACER | 4 | |
| 9 | F21A8-22081 | SHIM | 5 | |
| 10 | F21A8-22061 | SHIM | 5 | |
| 11 | S1184-12050 | BOLT & WASHER | 4 | |
| 12 | S1184-12025 | BOLT & WASHER | 1 | |

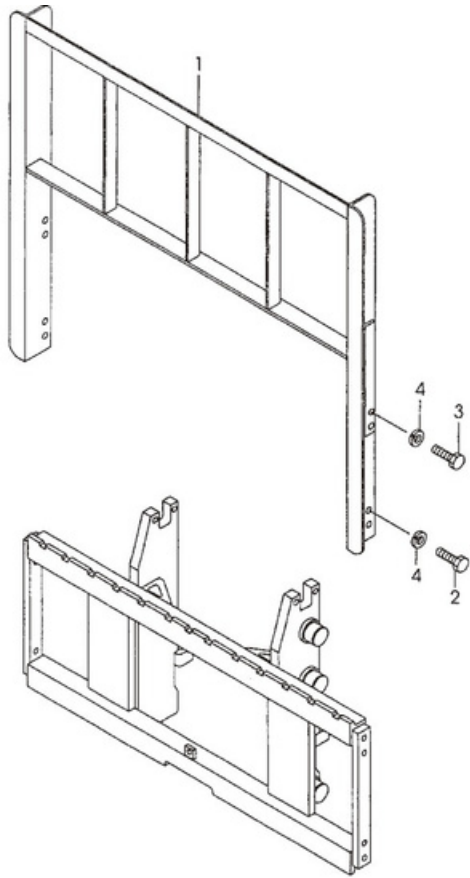
Fig.44 BACKREST [VM21A]



Front

| Item No. | Part No. | Description | Req'd | Remarks:Serial No. |
|----------|--------------|-------------|-------|--------------------|
| 1 | F21A8-22201a | BACKREST | 1 | |
| 2 | S1100-14025 | BOLT | 4 | |
| 3 | S1100-14030 | BOLT | 4 | |
| 4 | S2010-00014 | WASHER | 8 | |

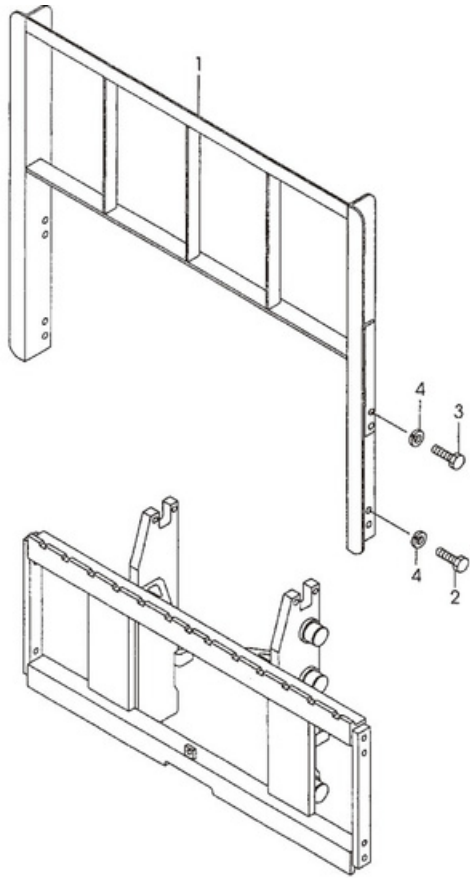
Fig.45 BACKREST [VM31A]



Front

| Item No. | Part No. | Description | Req'd | Remarks:Serial No. |
|----------|--------------|-------------|-------|--------------------|
| 1 | F31A8-22201a | BACKREST | 1 | |
| 2 | S1100-14025 | BOLT | 4 | |
| 3 | S1100-14030 | BOLT | 4 | |
| 4 | S2010-00014 | WASHER | 8 | |

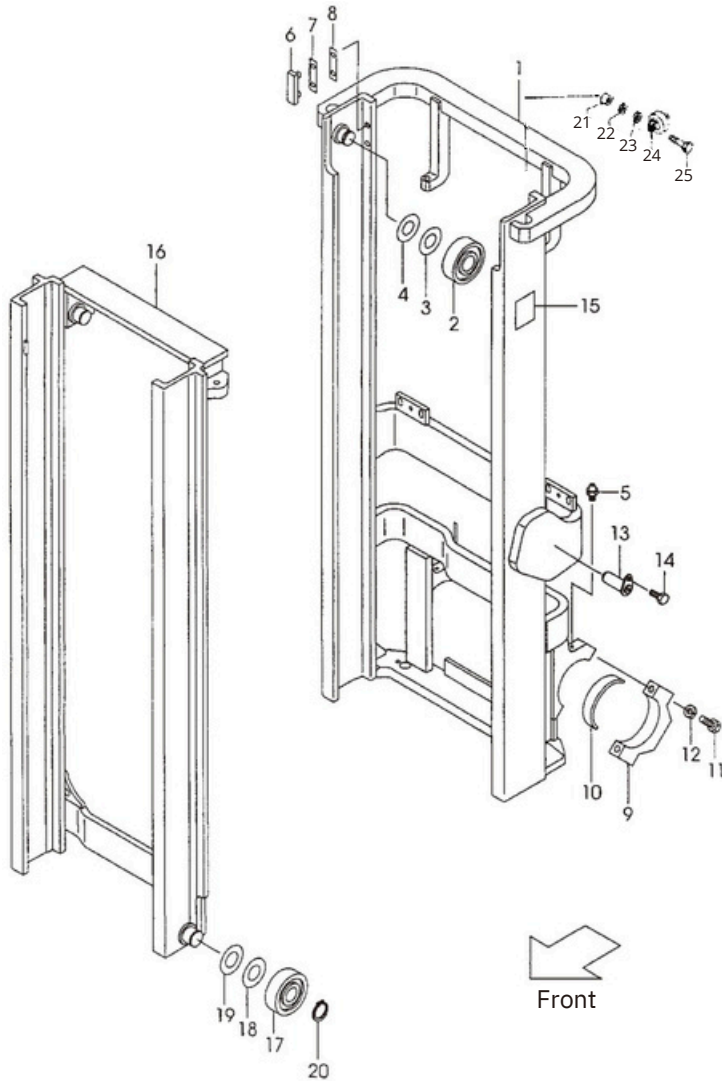
Fig.46 BACKREST [VM41A]




 Front

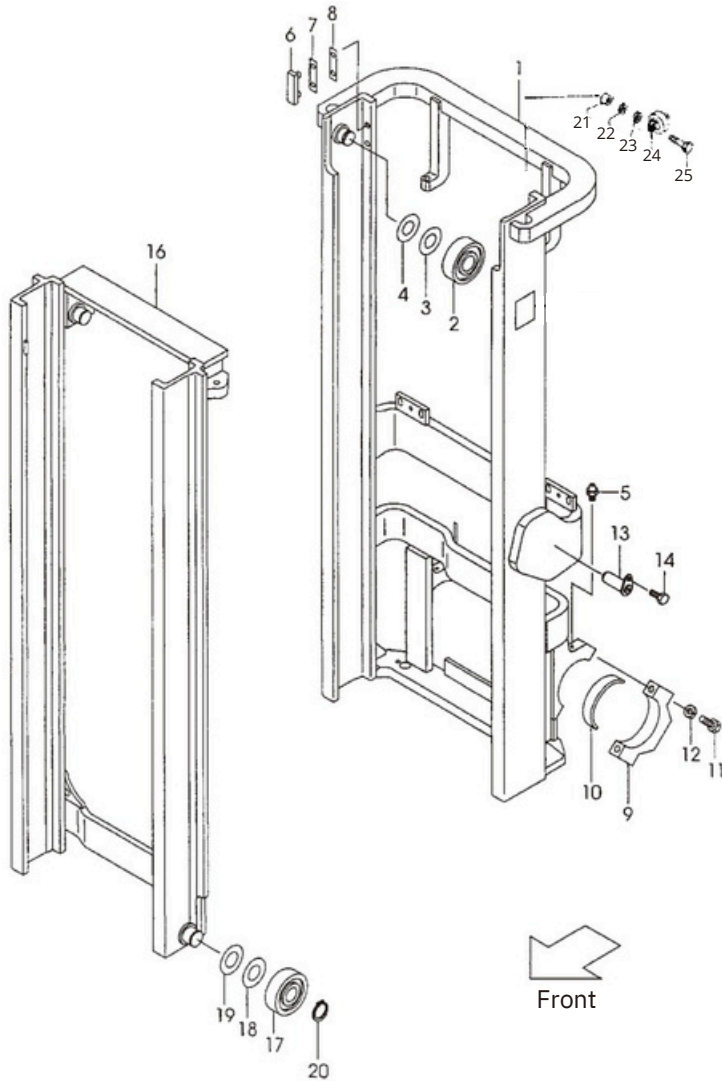
| Item No. | Part No. | Description | Req'd | Remarks:Serial No. |
|----------|--------------|-------------|-------|--------------------|
| 1 | F36A8-22201a | BACKREST | 1 | |
| 2 | S1100-14025 | BOLT | 4 | |
| 3 | S1100-14030 | BOLT | 4 | |
| 4 | S2010-00014 | WASHER | 8 | |

Fig.47 MAST [VM21A]



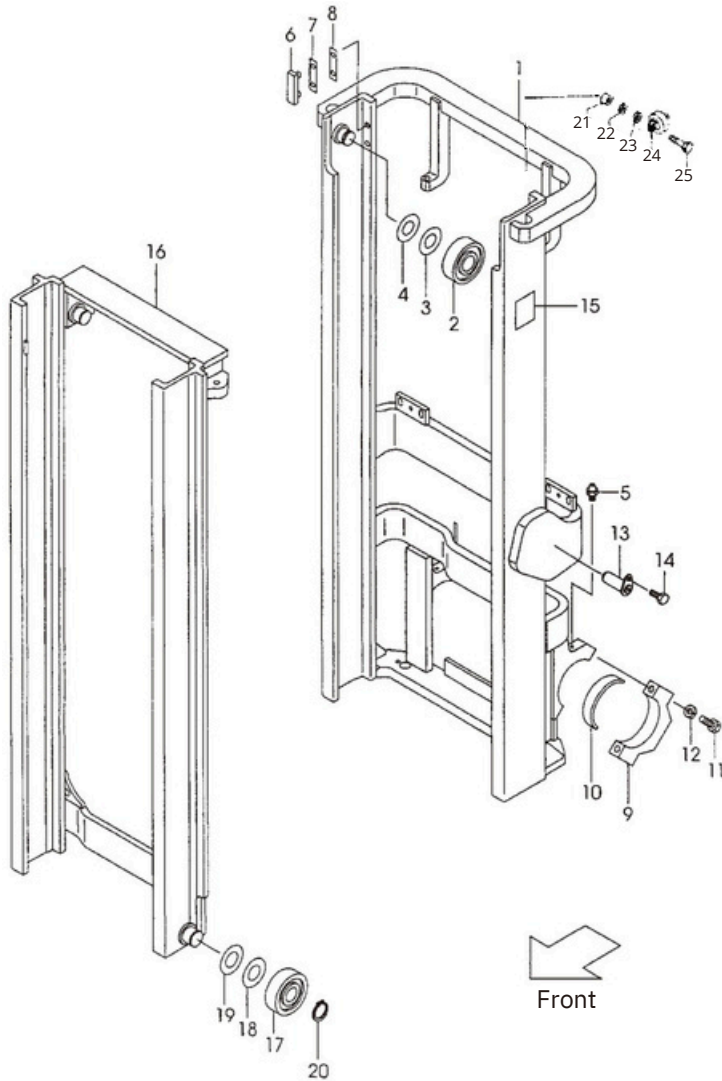
| Item No. | Part No. | Description | Req'd | Remarks:Serial No. |
|----------|--------------|-------------------|-------|--------------------|
| 1 | F21A8-30012a | MAST, OUTER VM200 | 1 | |
| - | F21A8-30022a | MAST, OUTER VM225 | 1 | |
| - | F21A8-30032a | MAST, OUTER VM250 | 1 | |
| - | F21A8-30042a | MAST, OUTER VM270 | 1 | |
| - | F21A8-30052a | MAST, OUTER VM275 | 1 | |
| - | F21A8-30002a | MAST, OUTER VM300 | 1 | |
| - | F21A8-30062a | MAST, OUTER VM325 | 1 | |
| - | F21A8-30072a | MAST, OUTER VM330 | 1 | |
| - | F21A8-30082a | MAST, OUTER VM350 | 1 | |
| - | F21A8-30092a | MAST, OUTER VM366 | 1 | |
| - | F21A8-30102a | MAST, OUTER VM370 | 1 | |
| - | F21A8-30112a | MAST, OUTER VM375 | 1 | |
| - | F21A8-30122a | MAST, OUTER VM400 | 1 | |
| - | F21A8-30132a | MAST, OUTER VM425 | 1 | |
| - | F21A8-30142a | MAST, OUTER VM450 | 1 | |
| - | F21A8-30152a | MAST, OUTER VM475 | 1 | |
| - | F21A8-30162a | MAST, OUTER VM500 | 1 | |
| - | F21A8-30172a | MAST, OUTER VM550 | 1 | |
| - | F21A8-30182a | MAST, OUTER VM600 | 1 | |
| 2 | F31A8-42051 | ROLLER, END | 2 | |
| 3 | F21A8-22021 | SHIM, T-0.5 | 12 | |
| 4 | F31A8-22031 | SHIM, T-1.0 | 12 | |
| 5 | S4901-00100 | FITTING | 2 | |
| 6 | F21A8-22101 | SLIPPER | 2 | |
| 7 | F21A8-22041 | SHIM, T-0.5 | 8 | |

Fig.47 MAST [VM21A]



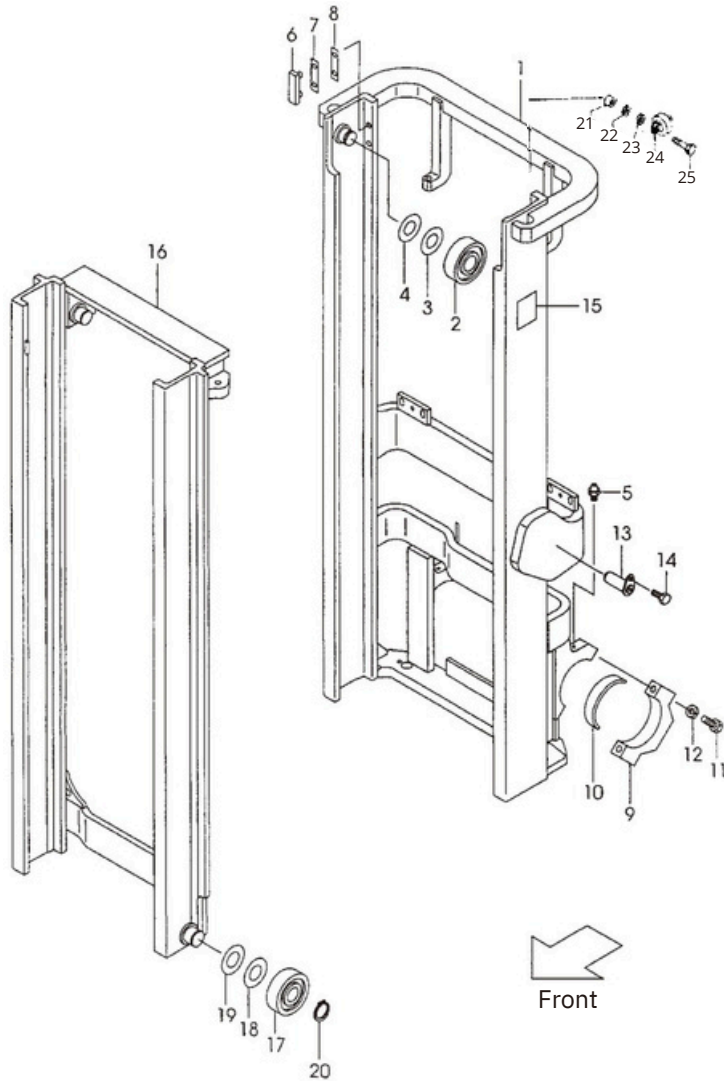
| Item No. | Part No. | Description | Req'd | Remarks:Serial No. |
|----------|--------------|-------------------|-------|--------------------|
| 8 | F21A8-22051 | SHIM, T-1.0 | 4 | |
| 9 | F31A8-40101 | CAP | 2 | |
| 10 | F31A8-42221 | BUSHING | 2 | |
| 11 | S1103-16065 | BOLT | 4 | |
| 12 | S2011-00016 | WASHER | 4 | |
| 13 | F31A8-52201 | PIN | 2 | |
| 14 | S1184-10020 | BOLT & WASHER | 2 | |
| 16 | F21A8-30211a | MAST, INNER VM200 | 1 | |
| - | F21A8-30221a | MAST, INNER VM225 | 1 | |
| - | F21A8-30231a | MAST, INNER VM250 | 1 | |
| - | F21A8-30241a | MAST, INNER VM270 | 1 | |
| - | F21A8-30251a | MAST, INNER VM275 | 1 | |
| - | F21A8-30201a | MAST, INNER VM300 | 1 | |
| - | F21A8-30261a | MAST, INNER VM325 | 1 | |
| - | F21A8-30271a | MAST, INNER VM330 | 1 | |
| - | F21A8-30281a | MAST, INNER VM350 | 1 | |
| - | F21A8-30291a | MAST, INNER VM366 | 1 | |
| - | F21A8-30301a | MAST, INNER VM370 | 1 | |
| - | F21A8-30311a | MAST, INNER VM375 | 1 | |
| - | F21A8-30321a | MAST, INNER VM400 | 1 | |
| - | F21A8-30331a | MAST, INNER VM425 | 1 | |
| - | F21A8-30341a | MAST, INNER VM450 | 1 | |
| - | F21A8-30351a | MAST, INNER VM475 | 1 | |
| - | F21A8-30361a | MAST, INNER VM500 | 1 | |
| - | F21A8-30371a | MAST, INNER VM550 | 1 | |
| - | F21A8-30381a | MAST, INNER VM600 | 1 | |

Fig.47 MAST [VM21A]



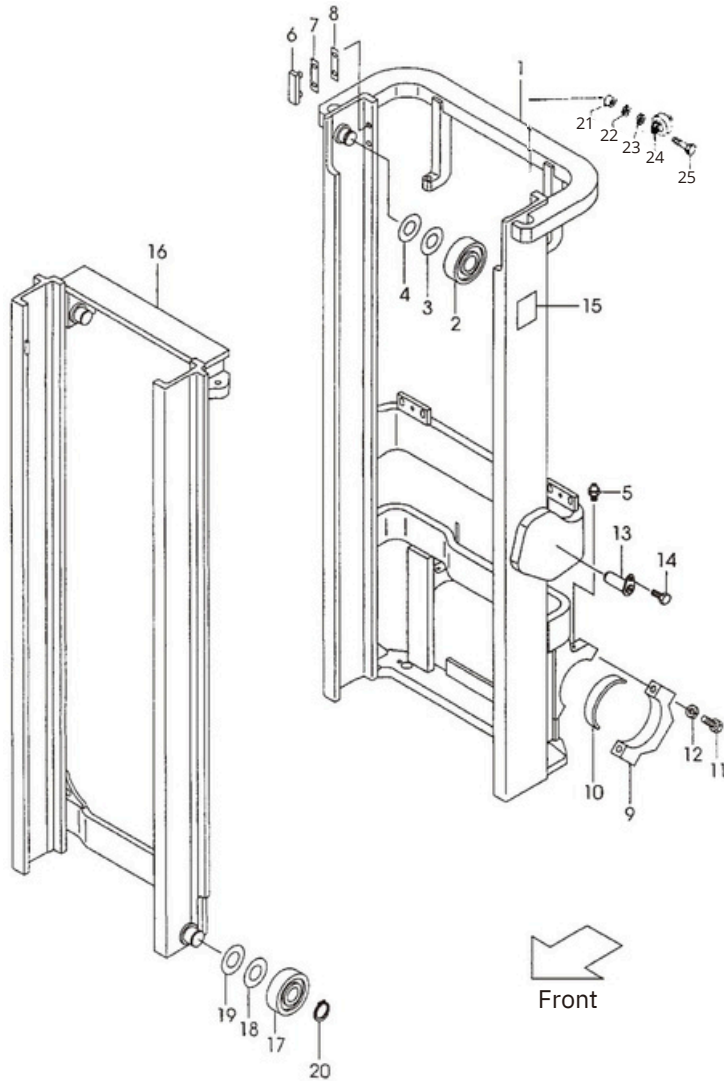
| Item No. | Part No. | Description | Req'd | Remarks:Serial No. |
|----------|-------------|-------------|-------|--------------------|
| 17 | F31A8-42051 | ROLLER, END | 2 | |
| 18 | F31A8-22021 | SHIM,T-0.5 | 12 | |
| 19 | F31A8-22031 | SHIM,T-1.0 | 12 | |
| 20 | S9192-30044 | RING, SNAP | 2 | |
| 21 | F21A8-22091 | SPACE | 2 | |
| 22 | F21A8-22081 | SHIM | AR | |
| 23 | F21A8-22061 | SHIM | AR | |
| 24 | F31A8-42061 | SIDE ROLLER | 2 | |
| 25 | S1106-12050 | BOLT | 2 | |

Fig.48 MAST [VM31A]



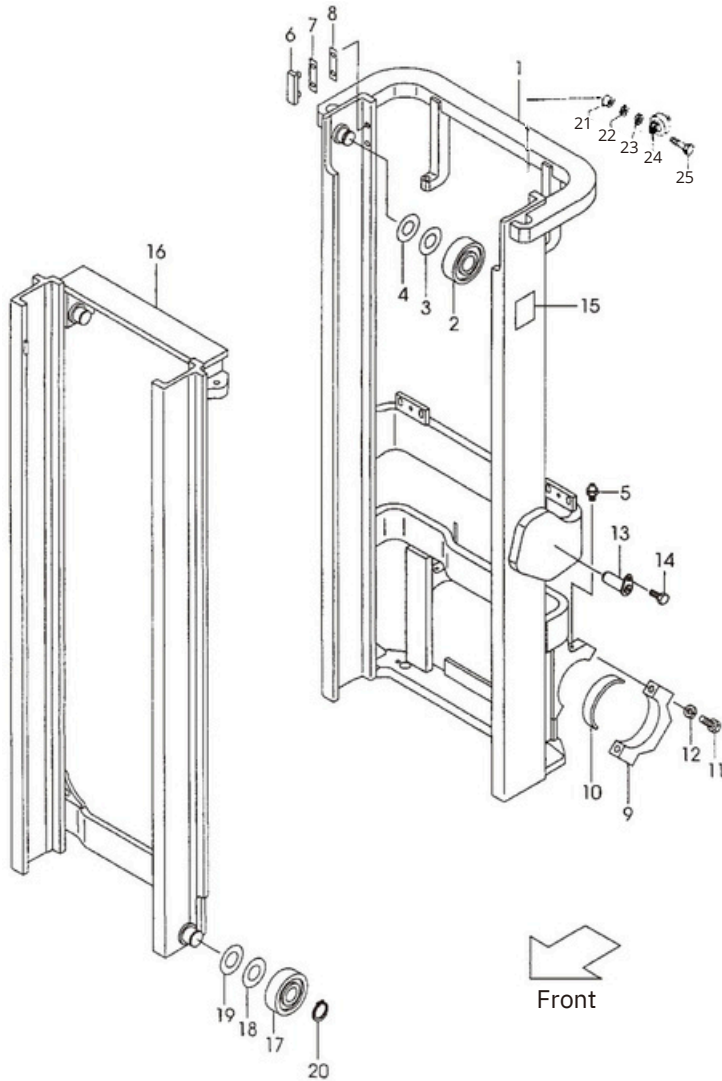
| Item No. | Part No. | Description | Req'd | Remarks:Serial No. |
|----------|--------------|-------------------|-------|--------------------|
| 1 | F31A8-30012a | MAST, OUTER VM200 | 1 | |
| - | F31A8-30022a | MAST, OUTER VM225 | 1 | |
| - | F31A8-30032a | MAST, OUTER VM250 | 1 | |
| - | F31A8-30042a | MAST, OUTER VM270 | 1 | |
| - | F31A8-30052a | MAST, OUTER VM275 | 1 | |
| - | F31A8-30002a | MAST, OUTER VM300 | 1 | |
| - | F31A8-30062a | MAST, OUTER VM325 | 1 | |
| - | F31A8-30072a | MAST, OUTER VM330 | 1 | |
| - | F31A8-30082a | MAST, OUTER VM350 | 1 | |
| - | F31A8-30092a | MAST, OUTER VM366 | 1 | |
| - | F31A8-30102a | MAST, OUTER VM370 | 1 | |
| - | F31A8-30112a | MAST, OUTER VM375 | 1 | |
| - | F31A8-30122a | MAST, OUTER VM400 | 1 | |
| - | F31A8-30132a | MAST, OUTER VM425 | 1 | |
| - | F31A8-30142a | MAST, OUTER VM450 | 1 | |
| - | F31A8-30152a | MAST, OUTER VM475 | 1 | |
| - | F31A8-30162a | MAST, OUTER VM500 | 1 | |
| - | F31A8-30172a | MAST, OUTER VM550 | 1 | |
| - | F31A8-30182a | MAST, OUTER VM600 | 1 | |
| 2 | F31A8-42051 | ROLLER, END | 2 | |
| 3 | F21A8-22021 | SHIM, T-0.5 | 12 | |
| 4 | F21A8-22001 | SHIM, T-1.0 | 12 | |
| 5 | S4901-00100 | FITTING | 2 | |
| 6 | F21A8-22101 | SLIPPER | 2 | |
| 7 | F21A8-22041 | SHIM, T-0.5 | 8 | |

Fig.48 MAST [VM31A]



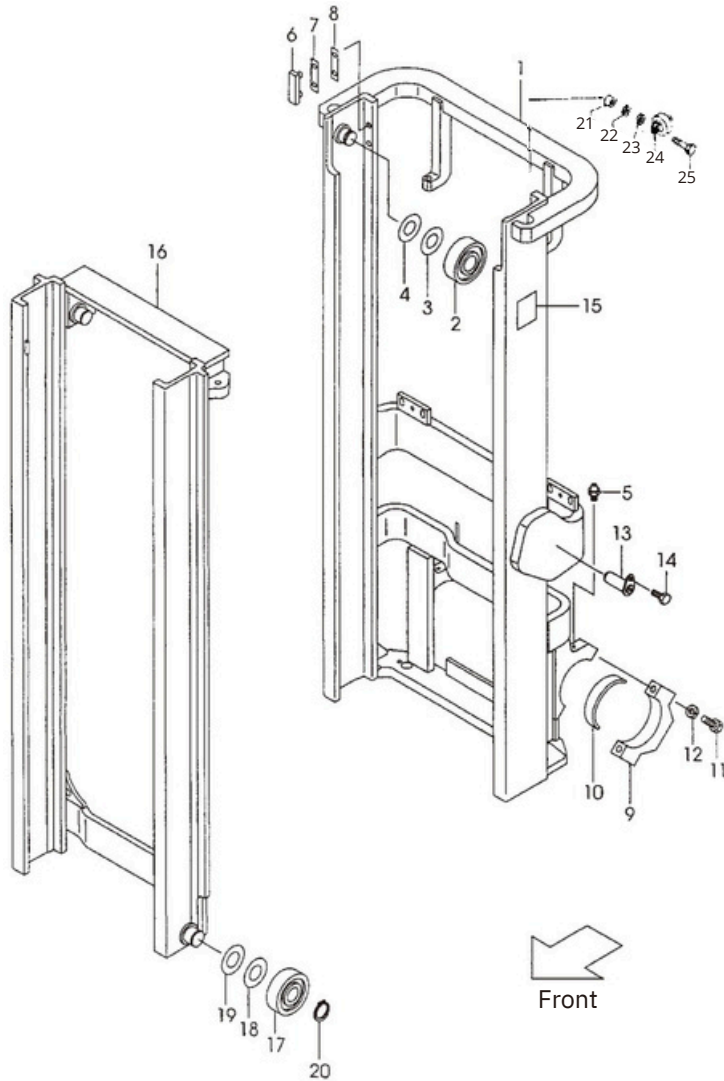
| Item No. | Part No. | Description | Req'd | Remarks:Serial No. |
|----------|--------------|-------------------|-------|--------------------|
| 8 | F21A8-22051 | SHIM, T-1.0 | 4 | |
| 9 | F31A8-40101 | CAP | 2 | |
| 10 | F31A8-42221 | BUSHING | 2 | |
| 11 | S1103-16065 | BOLT | 4 | |
| 12 | S2011-00016 | WASHER | 4 | |
| 13 | F31A8-52201 | PIN | 2 | |
| 14 | S1184-10020 | BOLT & WASHER | 2 | |
| 16 | F31A8-30211a | MAST, INNER VM200 | 1 | |
| - | F31A8-30221a | MAST, INNER VM225 | 1 | |
| - | F31A8-30231a | MAST, INNER VM250 | 1 | |
| - | F31A8-30241a | MAST, INNER VM270 | 1 | |
| - | F31A8-30251a | MAST, INNER VM275 | 1 | |
| - | F31A8-30201a | MAST, INNER VM300 | 1 | |
| - | F31A8-30261a | MAST, INNER VM325 | 1 | |
| - | F31A8-30271a | MAST, INNER VM330 | 1 | |
| - | F31A8-30281a | MAST, INNER VM350 | 1 | |
| - | F31A8-30291a | MAST, INNER VM366 | 1 | |
| - | F31A8-30301a | MAST, INNER VM370 | 1 | |
| - | F31A8-30311a | MAST, INNER VM375 | 1 | |
| - | F31A8-30321a | MAST, INNER VM400 | 1 | |
| - | F31A8-30331a | MAST, INNER VM425 | 1 | |
| - | F31A8-30341a | MAST, INNER VM450 | 1 | |
| - | F31A8-30351a | MAST, INNER VM475 | 1 | |
| - | F31A8-30361a | MAST, INNER VM500 | 1 | |
| - | F31A8-30371a | MAST, INNER VM550 | 1 | |
| - | F31A8-30381a | MAST, INNER VM600 | 1 | |

Fig.48 MAST [VM31A]



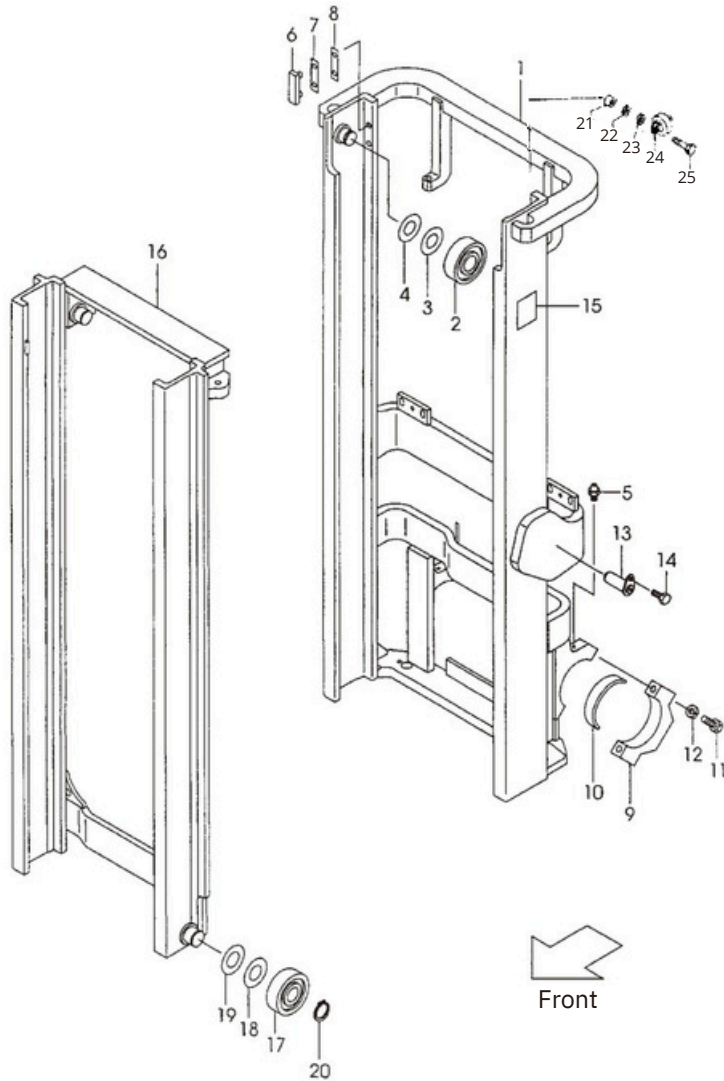
| Item No. | Part No. | Description | Req'd | Remarks:Serial No. |
|----------|-------------|-------------|-------|--------------------|
| 17 | F31A8-42051 | ROLLER, END | 2 | |
| 18 | F21A8-22031 | SHIM, T-0.5 | 12 | |
| 19 | F21A8-22041 | SHIM, T-1.0 | 12 | |
| 20 | S9192-30044 | RING, SNAP | 2 | |
| 21 | F21A8-22091 | SPACE | 2 | |
| 22 | F21A8-22081 | SHIM | AR | |
| 23 | F21A8-22061 | SHIM | AR | |
| 24 | F31A8-42061 | SIDE ROLLER | 2 | |
| 25 | S1106-12050 | BOLT | 2 | |

Fig.49 MAST [VM 41A]



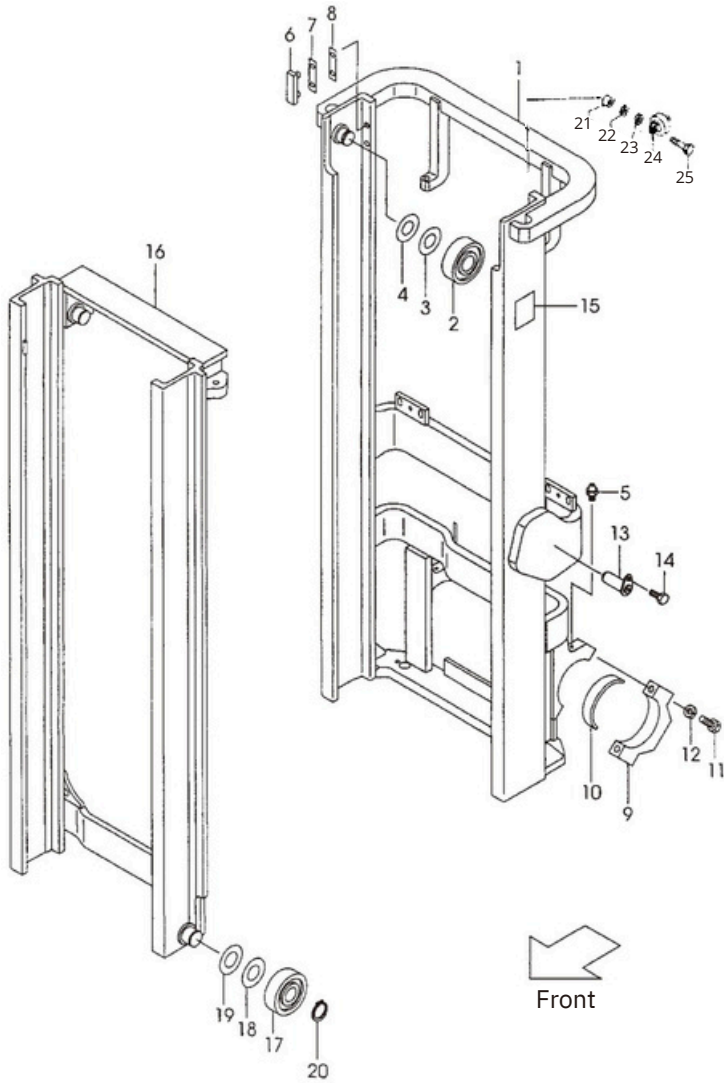
| Item No. | Part No. | Description | Req'd | Remarks:Serial No. |
|----------|--------------|-------------------|-------|--------------------|
| 8 | F21A8-22051 | SHIM, T-1.0 | 4 | |
| 9 | F31A8-40101 | CAP | 2 | |
| 10 | F31A8-42221 | BUSHING | 2 | |
| 11 | S1103-16065 | BOLT | 4 | |
| 12 | S2011-00016 | WASHER | 4 | |
| 13 | F31A8-52201 | PIN | 2 | |
| 14 | S1184-10020 | BOLT & WASHER | 2 | |
| 16 | F38A8-30211a | MAST, INNER VM200 | 1 | |
| - | F38A8-30221a | MAST, INNER VM225 | 1 | |
| - | F38A8-30231a | MAST, INNER VM250 | 1 | |
| - | F38A8-30241a | MAST, INNER VM270 | 1 | |
| - | F38A8-30251a | MAST, INNER VM275 | 1 | |
| - | F38A8-30201a | MAST, INNER VM300 | 1 | |
| - | F38A8-30261a | MAST, INNER VM325 | 1 | |
| - | F38A8-30271a | MAST, INNER VM330 | 1 | |
| - | F38A8-30281a | MAST, INNER VM350 | 1 | |
| - | F38A8-30291a | MAST, INNER VM366 | 1 | |
| - | F38A8-30301a | MAST, INNER VM370 | 1 | |
| - | F38A8-30311a | MAST, INNER VM375 | 1 | |
| - | F38A8-30321a | MAST, INNER VM400 | 1 | |
| - | F38A8-30331a | MAST, INNER VM425 | 1 | |
| - | F38A8-30341a | MAST, INNER VM450 | 1 | |
| - | F38A8-30351a | MAST, INNER VM475 | 1 | |
| - | F38A8-30361a | MAST, INNER VM500 | 1 | |
| - | F38A8-30371a | MAST, INNER VM550 | 1 | |
| - | F38A8-30381a | MAST, INNER VM600 | 1 | |

Fig.49 MAST [VM 41A]



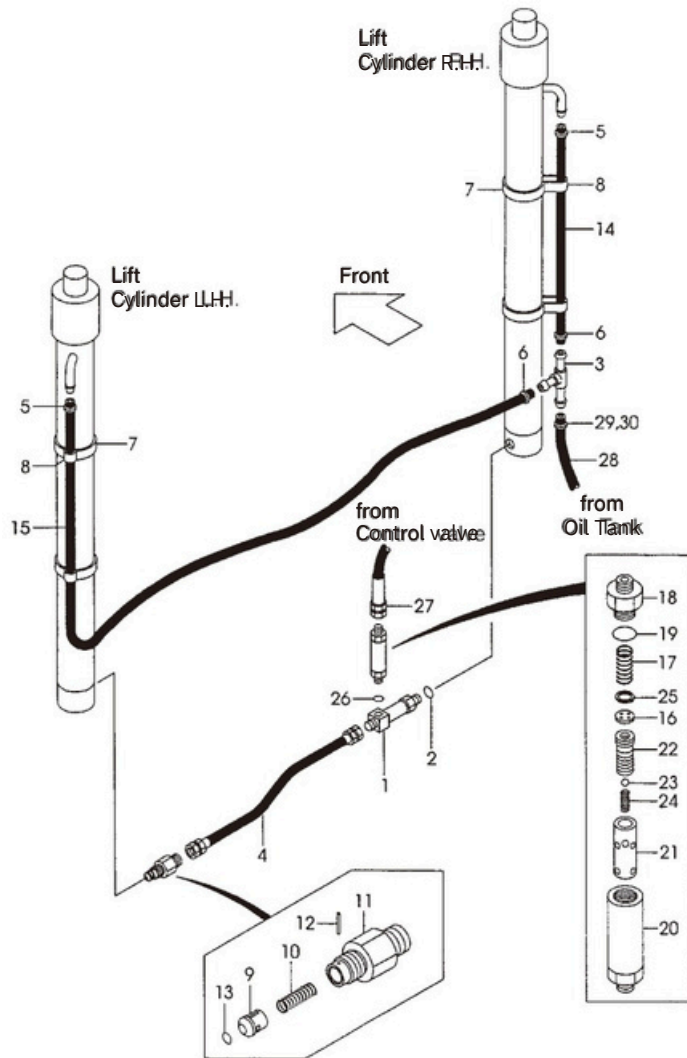
| Item No. | Part No. | Description | Req'd | Remarks:Serial No. |
|----------|--------------|-------------------|-------|--------------------|
| 8 | F21A8-22051 | SHIM, T-1.0 | 4 | |
| 9 | F31A8-40101 | CAP | 2 | |
| 10 | F31A8-42221 | BUSHING | 2 | |
| 11 | S1103-16065 | BOLT | 4 | |
| 12 | S2011-00016 | WASHER | 4 | |
| 13 | F31A8-52201 | PIN | 2 | |
| 14 | S1184-10020 | BOLT & WASHER | 2 | |
| 16 | F38A8-30211a | MAST, INNER VM200 | 1 | |
| - | F38A8-30221a | MAST, INNER VM225 | 1 | |
| - | F38A8-30231a | MAST, INNER VM250 | 1 | |
| - | F38A8-30241a | MAST, INNER VM270 | 1 | |
| - | F38A8-30251a | MAST, INNER VM275 | 1 | |
| - | F38A8-30201a | MAST, INNER VM300 | 1 | |
| - | F38A8-30261a | MAST, INNER VM325 | 1 | |
| - | F38A8-30271a | MAST, INNER VM330 | 1 | |
| - | F38A8-30281a | MAST, INNER VM350 | 1 | |
| - | F38A8-30291a | MAST, INNER VM366 | 1 | |
| - | F38A8-30301a | MAST, INNER VM370 | 1 | |
| - | F38A8-30311a | MAST, INNER VM375 | 1 | |
| - | F38A8-30321a | MAST, INNER VM400 | 1 | |
| - | F38A8-30331a | MAST, INNER VM425 | 1 | |
| - | F38A8-30341a | MAST, INNER VM450 | 1 | |
| - | F38A8-30351a | MAST, INNER VM475 | 1 | |
| - | F38A8-30361a | MAST, INNER VM500 | 1 | |
| - | F38A8-30371a | MAST, INNER VM550 | 1 | |
| - | F38A8-30381a | MAST, INNER VM600 | 1 | |

Fig.49 MAST [VM 41A]



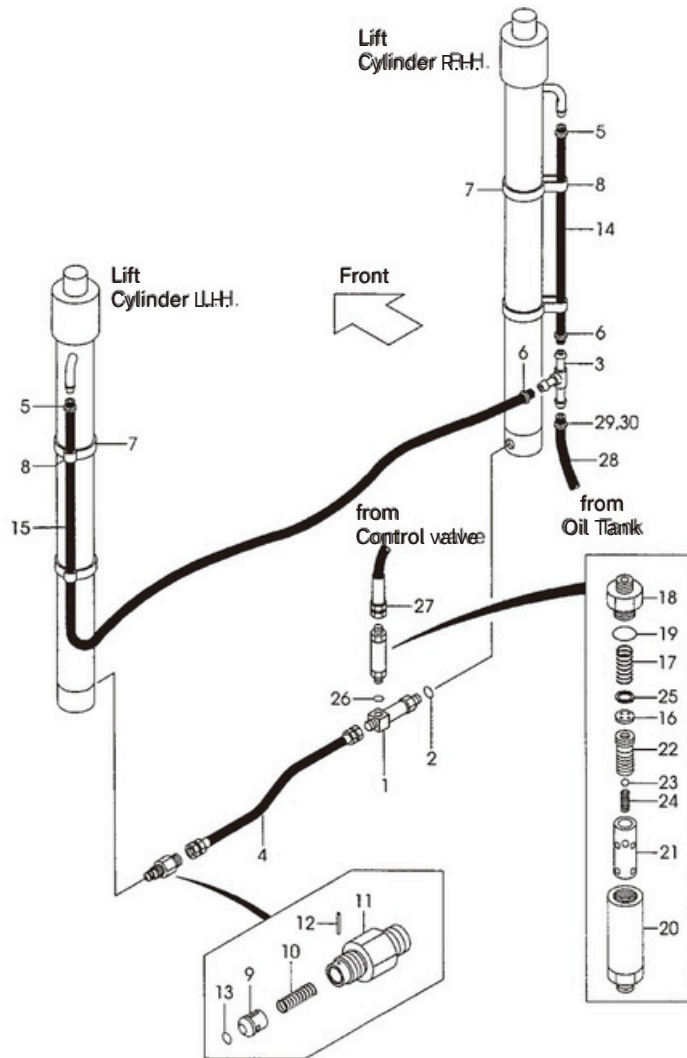
| Item No. | Part No. | Description | Req'd | Remarks:Serial No. |
|----------|-------------|-------------|-------|--------------------|
| 17 | F31A8-42051 | ROLLER, END | 2 | |
| 18 | F21A8-22031 | SHIM, T-0.5 | 12 | |
| 19 | F21A8-22041 | SHIM, T-1.0 | 12 | |
| 20 | S9192-30044 | RING, SNAP | 2 | |
| 21 | F21A8-22091 | SPACE | 2 | |
| 22 | F21A8-22081 | SHIM | AR | |
| 23 | F21A8-22061 | SHIM | AR | |
| 24 | F31A8-42061 | SIDE ROLLER | 2 | |
| 25 | S1106-12050 | BOLT | 2 | |

Fig.50 M AST PIPING [VM21A]



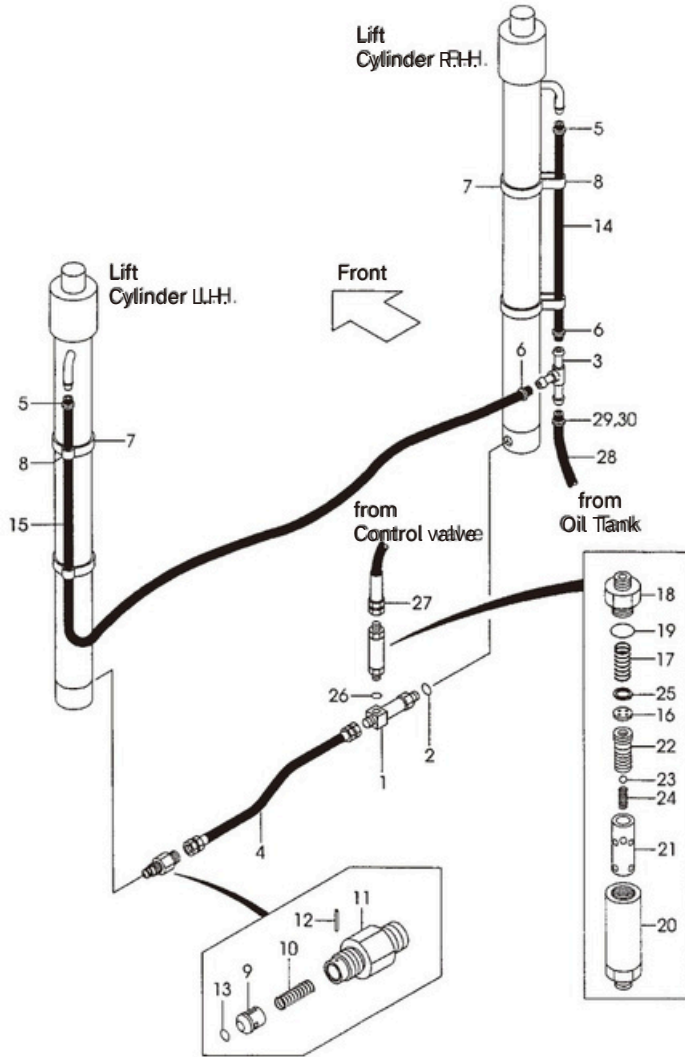
| Item No. | Part No. | Description | Req'd | Remarks:Serial No. |
|----------|---------------|------------------|-------|--------------------|
| A1 | F31A8-41101 | THREE-WAY-ASS'Y | 1 | INC. 1, 2 |
| 1 | F31A8-43051 § | THREE-WAY | 1 | |
| 2 | S3320-00140 | O-RING | 1 | |
| 3 | F21A8-22111 | THREE-WAY | 1 | |
| 4 | F31A8-02201 | HOSE | 1 | |
| 5 | S4711-00018 | CLIP | 2 | |
| 6 | S4711-00018 | CLIP | 2 | |
| 7 | S4913-21380 | BAND | 4 | |
| 8 | F31A8-47401 | BAND | 4 | |
| A2 | F31A8-40701 | VALVE-ASS'Y, CUT | 1 | INC. 9-13 |
| 9 | F31A8-42601 | PISTON | 1 | |
| 10 | F31A8-42611 | SPRING | 1 | |
| 11 | F31A8-42621 | NIPPLE | 1 | |
| 12 | S2270-01014 | PIN | 1 | |
| 13 | S3520-00140 | O-RING | 1 | |
| 14 | S3628-40060 | HOSE, RH VM200 | 1 | |
| - | S3628-40070 | HOSE, RH VM225 | 1 | |
| - | S3628-40085 | HOSE, RH VM250 | 1 | |
| - | S3628-40095 | HOSE, RH VM270 | 1 | |
| - | S3628-40095 | HOSE, RH VM275 | 1 | |
| - | S3628-40110 | HOSE, RH VM300 | 1 | |
| - | S3628-40120 | HOSE, RH VM325 | 1 | |
| - | S3628-40125 | HOSE, RH VM330 | 1 | |
| - | S3628-40135 | HOSE, RH VM350 | 1 | |
| - | S3628-40145 | HOSE, RH VM366 | 1 | |
| - | S3628-40145 | HOSE, RH VM370 | 1 | |
| - | S3628-40145 | HOSE, RH VM375 | 1 | |

Fig.50 M AST PIPING [VM21A]



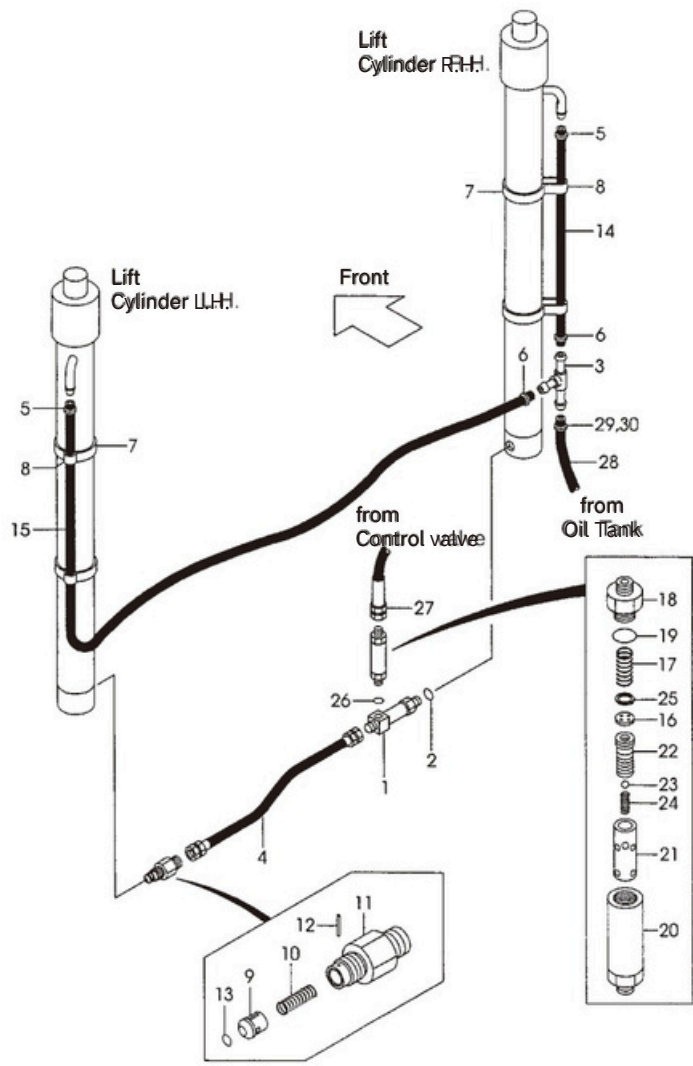
| Item No. | Part No. | Description | Req'd | Remarks:Serial No. |
|----------|-------------|----------------|-------|--------------------|
| - | S3628-40165 | HOSE, RH VM400 | 1 | |
| - | S3628-40175 | HOSE, RH VM425 | 1 | |
| - | S3628-40190 | HOSE, RH VM450 | 1 | |
| - | S3628-40200 | HOSE, RH VM475 | 1 | |
| - | S3628-40215 | HOSE, RH VM500 | 1 | |
| - | S3628-40245 | HOSE, RH VM550 | 1 | |
| - | S3628-40270 | HOSE, RH VM600 | 1 | |
| 15 | S3678-40125 | HOSE, LH VM200 | 1 | |
| - | S3678-40145 | HOSE, LH VM225 | 1 | |
| - | S3678-40150 | HOSE, LH VM250 | 1 | |
| - | S3678-40160 | HOSE, LH VM270 | 1 | |
| - | S3678-40160 | HOSE, LH VM275 | 1 | |
| - | S3678-40170 | HOSE, LH VM300 | 1 | |
| - | S3678-40185 | HOSE, LH VM325 | 1 | |
| - | S3678-40190 | HOSE, LH VM330 | 1 | |
| - | S3678-40200 | HOSE, LH VM350 | 1 | |
| - | S3678-40210 | HOSE, LH VM366 | 1 | |
| - | S3678-40210 | HOSE, LH VM370 | 1 | |
| - | S3678-40210 | HOSE, LH VM375 | 1 | |
| - | S3678-40230 | HOSE, LH VM400 | 1 | |
| - | S3678-40240 | HOSE, LH VM425 | 1 | |
| - | S3678-40255 | HOSE, LH VM450 | 1 | |
| - | S3678-40265 | HOSE, LH VM475 | 1 | |
| - | S3678-40280 | HOSE, LH VM500 | 1 | |
| - | S3678-40310 | HOSE, LH VM550 | 1 | |
| - | S3678-40355 | HOSE, LH VM600 | 1 | |

Fig.50 M AST PIPING [VM21A]



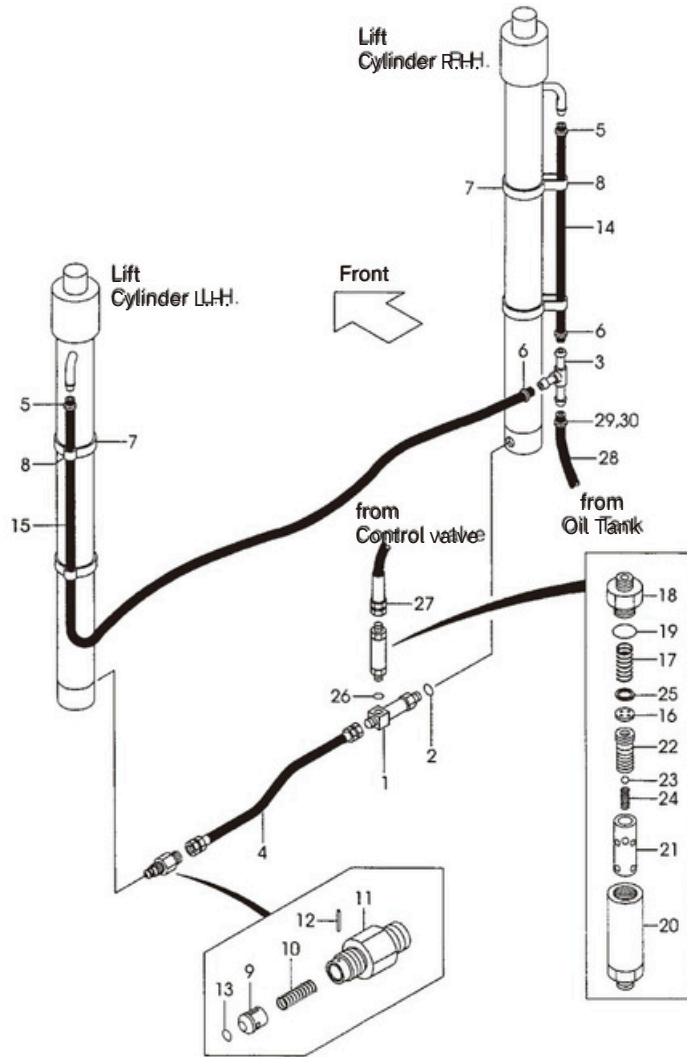
| Item No. | Part No. | Description | Req'd | Remarks:Serial No. |
|----------|---------------|---------------------|-------|--------------------|
| A3 | F21A8-41001 | FLOW REGURATOR-ASSY | 1 | INC.16-25 |
| 16 | NO PART NO. | PLATE | 1 | |
| 17 | F21A8-43101 § | SPRING | 1 | |
| 18 | NO PART NO. | NIPPLE | 1 | |
| 19 | S3320-00280 § | O-RING | 1 | |
| 20 | NO PART NO. | CASE | 1 | |
| 21 | NO PART NO. § | SLEEVE | 1 | |
| 22 | NO PART NO. § | PISTON | 1 | |
| 23 | F21A8-42951 § | BALL, NYLON | 1 | |
| 24 | F21A8-44151 | SPRING | 1 | |
| 25 | S2110-00018 | RING, SNAP | 1 | |
| 26 | S3320-00180 | O-RING | 1 | |
| 27 | F21A8-02102 | HOSE | 1 | |
| 28 | S3678-40110 | HOSE | 1 | |
| 29 | S4911-00018 | CLIP | 1 | |
| 30 | S4914-00016 | CLIP | 1 | |

Fig.51 MAST PIPING [VM31A]



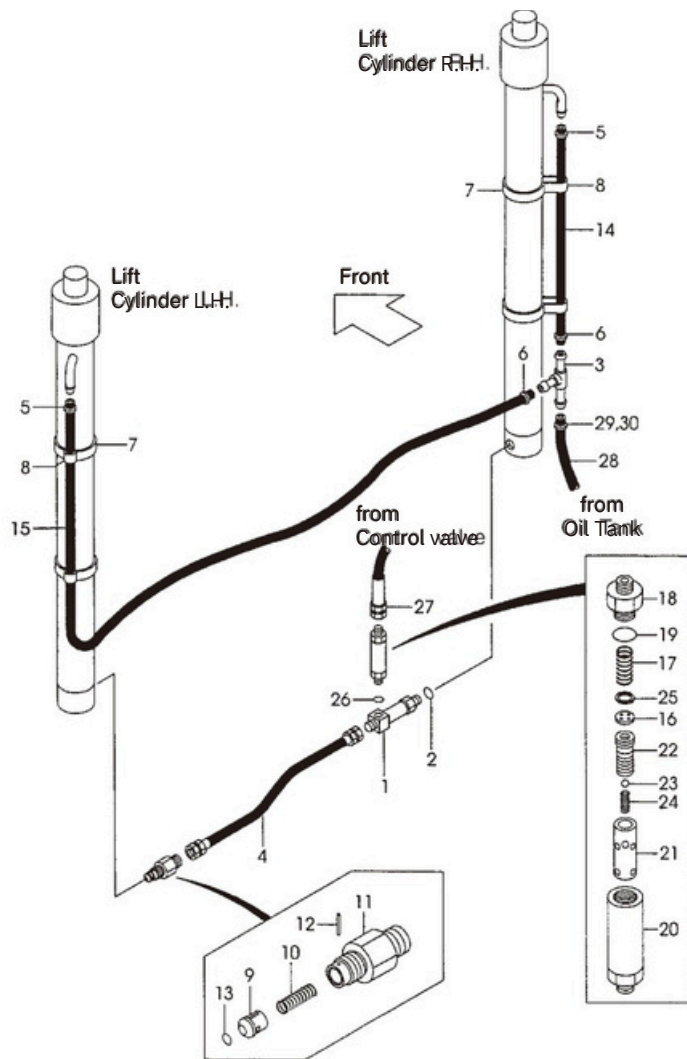
| Item No. | Part No. | Description | Req'd | Remarks: Serial No. |
|----------|---------------|-----------------|-------|---------------------|
| A1 | F31A8-41101 | THREE-WAY | 1 | INC. 1, 2 |
| 1 | F31A8-43051 § | THREE-WAY | 1 | |
| 2 | S3320-00140 | O-RING | 1 | |
| 3 | F21A8-22111 | THREE-WAY | 1 | |
| 4 | F31A8-02201 | HOSE | 1 | |
| 5 | S4911-00018 | CLIP | 2 | |
| 6 | S4911-00018 | CLIP | 2 | |
| 7 | S4913-21380 | BAND | 4 | |
| 8 | F31A8-47401 | BAND, HOSE | 4 | |
| A2 | F31A8-40701 | VALVE-ASSY, CUT | 1 | INC. 9-13 |
| 9 | F31A8-42601 | PISTON | 1 | |
| 10 | F31A8-42611 | SPRING | 1 | |
| 11 | F31A8-42621 | NIPPLE | 1 | |
| 12 | S2270-01014 | PIN | 1 | |
| 13 | S3320-00140 | O-RING | 1 | |
| 14 | S3678-40060 | HOSE VM200 | 1 | |
| - | S3678-40070 | HOSE VM225 | 1 | |
| - | S3678-40085 | HOSE VM250 | 1 | |
| - | S3678-40095 | HOSE | 1 | [VM270][VM275] |
| - | S3678-40110 | HOSE VM300 | 1 | |
| - | S3678-40120 | HOSE VM325 | 1 | |
| - | S3678-40125 | HOSE VM330 | 1 | |
| - | S3678-40135 | HOSE VM350 | 1 | |

Fig.51 MAST PIPING [VM31A]



| Item No. | Part No. | Description | Req'd | Remarks:Serial No. |
|----------|-------------|-------------|-------|--------------------|
| - | S3678-40145 | HOSE | 1 | [VM366-375] |
| - | S3678-40165 | HOSE VM400 | 1 | |
| - | S3678-40175 | HOSE VM425 | 1 | |
| - | S3678-40190 | HOSE VM450 | 1 | |
| - | S3678-40200 | HOSE VM475 | 1 | |
| - | S3678-40215 | HOSE VM500 | 1 | |
| - | S3678-40245 | HOSE VM550 | 1 | |
| - | S3678-40270 | HOSE VM600 | 1 | |
| 15 | S3678-40125 | HOSE VM200 | 1 | |
| - | S3678-40145 | HOSE VM225 | 1 | |
| - | S3678-40150 | HOSE VM250 | 1 | |
| - | S3678-40160 | HOSE | 1 | [VM270][VM275] |
| - | S3678-40170 | HOSE VM300 | 1 | |
| - | S3678-40185 | HOSE VM325 | 1 | |
| - | S3678-40190 | HOSE VM330 | 1 | |
| - | S3678-40200 | HOSE VM350 | 1 | |
| - | S3678-40210 | HOSE | 1 | [VM366-375] |
| - | S3678-40230 | HOSE VM400 | 1 | |
| - | S3678-40240 | HOSE VM425 | 1 | |
| - | S3678-40255 | HOSE VM450 | 1 | |
| - | S3678-40265 | HOSE VM475 | 1 | |
| - | S3678-40280 | HOSE VM500 | 1 | |
| - | S3678-40310 | HOSE VM550 | 1 | |
| - | S3678-40335 | HOSE VM600 | 1 | |

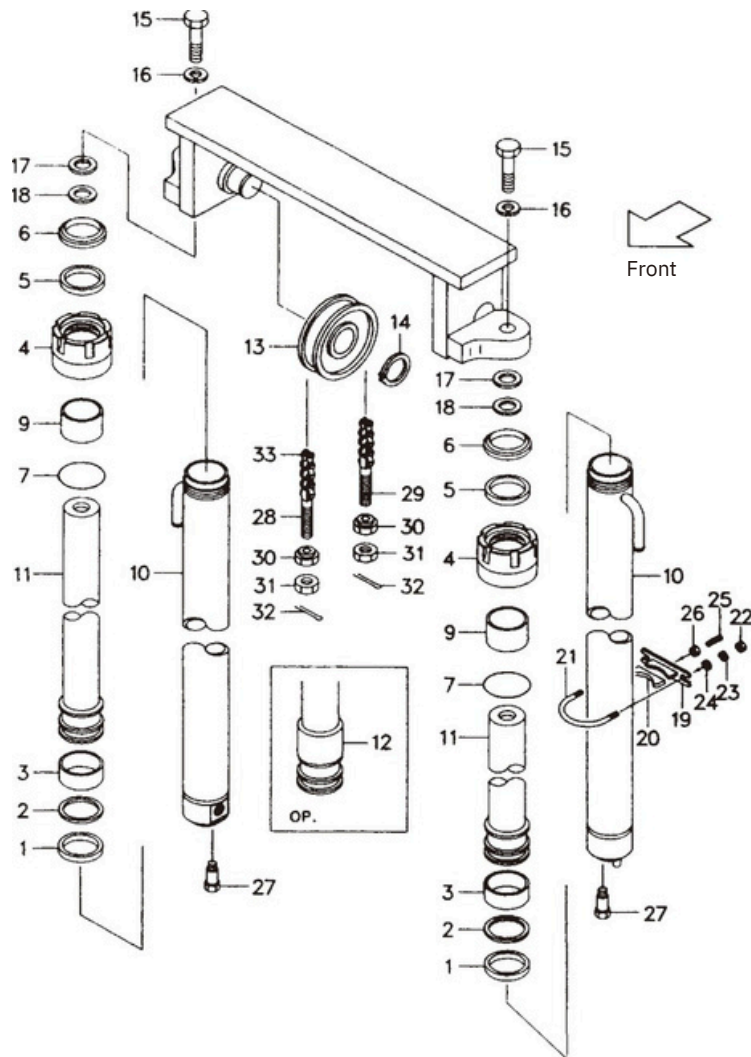
Fig.51 MAST PIPING [VM31A]



| Item No. | Part No. | Description | Req'd | Remarks: Serial No. |
|----------|---------------|-------------|-------|---------------------|
| A3 | F31A8-41001 | REGULATOR | 1 | |
| 16 | NO PART NO. | PLATE | 1 | |
| 17 | F21A8-43101 | SPRING | 1 | |
| 18 | NO PART NO. § | NIPPLE | 1 | |
| 19 | S3320-00280 | O-RING | 1 | |
| 20 | NO PART NO. § | CASE | 1 | |
| 21 | NO PART NO. | SLEEVE | 1 | |
| 22 | NO PART NO. § | PISTON | 1 | |
| 23 | F21A8-42951 § | BALL, NYLON | 1 | |
| 24 | F21A8-44151 § | SPRING | 1 | |
| 25 | S2110-00018 | RING, SNAP | 1 | |
| 26 | S3320-00180 | O-RING | 1 | |
| 27 | F31A8-02102 | HOSE | 1 | |
| 28 | S3678-40110 | HOSE | 1 | |
| 29 | S4911-00028 | CLIP | 1 | |
| - | S4914-00016 | CLIP | 1 | |

Fig.52

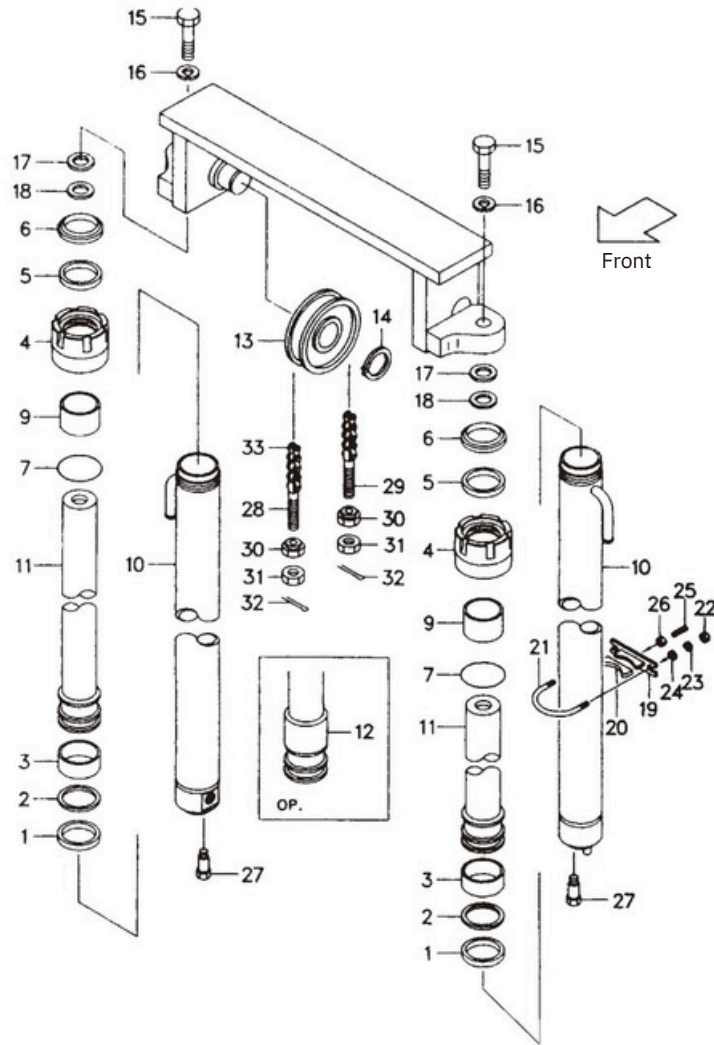
Fig.52 LIFT CYLINDER [VM21A]



| Item No. | Part No. | Description | Req'd | Remarks:Serial No. |
|----------|---------------|--|-------|-----------------------------|
| A | F21A8-40001 | LIFT CYLINDER ASS'Y (STD) H=VM300(inc.1~12) | 2 | See OP. Parts |
| 1 | S21A8-43521 | PACKING | 2 | |
| 2 | S21A8-43531 | RING | | |
| 3 | S21A8-43141 ※ | WEARING | 2 | |
| 4 | S21A8-42601 | CAP | 2 | |
| 5 | S21A8-42721 ※ | PACKING | 2 | |
| 6 | S21A8-46001 ※ | SEAL | 2 | |
| 7 | S21A8-42631 ※ | O-RING | 2 | |
| 9 | S21A8-42621 | RUSHING | 2 | |
| 10 | S77N8-40201 | TUBE (STD) H=VM300 | 2 | See OP. Parts |
| 11 | S14A8-40801 | PISTON ROD(STD)H=VM300 | | See OP. Parts |
| 12 | S31A8-43561 | SPACER | → | VM400-500=1 VM550, 600=2 |
| 13 | F31A8-43501 | SEAVE | 2 | |
| 14 | S2100-00040 | SNAP RING | 2 | |
| 15 | S1103-14040 | BOLT | 2 | |
| 16 | S2011-00014 | WASHER | 2 | |
| 17 | F21A8-22011 | SHIM t=0.2 | AR | |
| 18 | F21A8-22071 | SHIM t=0.5 | AR | |
| F | F31A8-42171 | SUPPORT ASS'Y (Inc. 19, 20) | 2 | |

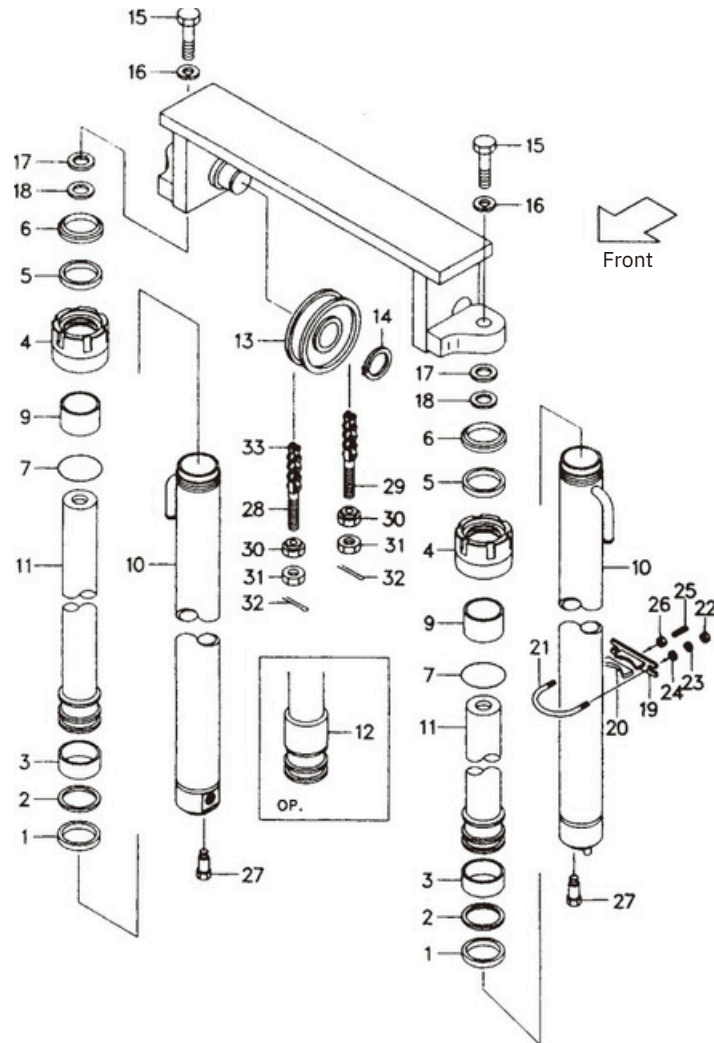
Fig.52

Fig.52 LIFT CYLINDER [VM21A]



| Item No. | Part No. | Description | Req'd | Remarks:Serial No. |
|----------|-------------|------------------------|-------|--------------------|
| 19 | F31A8-42181 | SUPPORT | 2 | |
| 20 | F31A8-42411 | RUBBER | 2 | |
| 21 | F31A8-42551 | U-BOLT | 2 | |
| 22 | F31A8-44561 | NUT | 4 | |
| 23 | S2010-20010 | WASHER | 4 | |
| 24 | S2000-20010 | WASHER | 4 | |
| 25 | F31A8-42241 | PLUG | 2 | |
| 26 | F31A8-44571 | NUT | 2 | |
| 27 | F31A8-42581 | BOLT | 2 | |
| 28 | F21A8-45001 | PIN | 2 | |
| 29 | F21A8-45011 | PIN | 2 | |
| 30 | F31A8-44581 | NUT | 4 | |
| 31 | S1400-00018 | NUT | 4 | |
| 32 | S2200-03030 | PIN, cotter | 4 | |
| 33 | S0634-45971 | LEAF CHAIN(STD)H=VM300 | 2 | See OP. Parts |

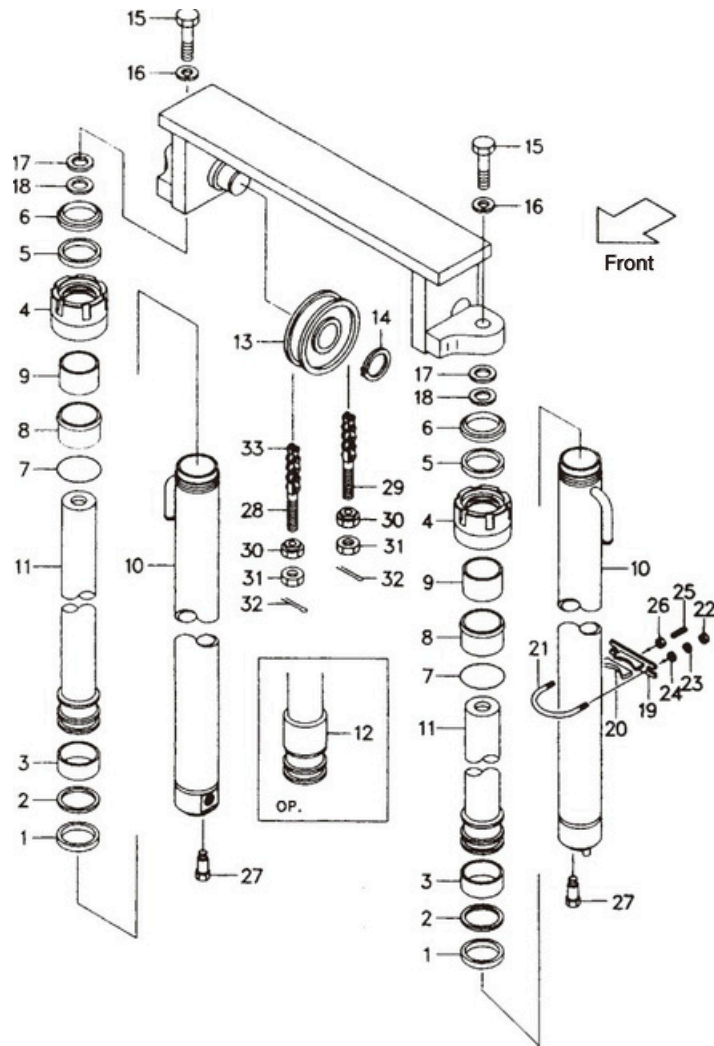
Fig.52 LIFT CYLINDER [VM21A]



<Optional Parts>

| Item No. | A | 10 | 11 | 33 |
|-------------|---------------------|-------------|-------------|-------------|
| Lift Height | LIFT CYLINDER ASS'Y | TUBE | PISTON ROD | LEAF CHAIN |
| VM200 | F21A8-40011 | S77N8-40211 | S14A8-40811 | S0634-45711 |
| VM225 | F21A8-40021 | S77N8-40221 | S14A8-40821 | S0634-45771 |
| VM250 | F21A8-40031 | S77N8-40231 | S14A8-40831 | S0634-45831 |
| VM270 | F21A8-40041 | S77N8-40241 | S14A8-40841 | S0634-45891 |
| VM275 | F21A840051 | S77N8-40251 | S14A8-40851 | S0634-45911 |
| VM300 | (STD) | (STD) | (STD) | (STD) |
| VM325 | F21A8-40061 | S77N8-40261 | S14A8-40861 | S0634-46031 |
| VM330 | F21A8-40071 | S77N8-40271 | S14A8-40871 | S0634-46051 |
| VM350 | F21A8-40081 | S77N8-40281 | S14A8-40881 | S0634-46091 |
| VM366 | F21A8-40091 | S77N8-40291 | S14A8-40891 | S0634-46151 |
| VM370 | F21A8-40101 | S77N8-40301 | S14A8-40901 | S0634-46151 |
| VM375 | F21A8-40111 | S77N8-40311 | S14A8-40911 | S0634-46171 |
| VM400 | F21A8-40121 | S77N8-40321 | S14A8-40921 | S0634-46251 |
| VM425 | F21A8-40131 | S77N8-40331 | S14A8-40931 | S0634-46331 |
| VM450 | F21A8-40141 | S77N8-40341 | S14A8-40941 | S0634-46391 |
| VM475 | F21A8-40151 | S77N8-40351 | S14A8-40951 | S0634-46451 |
| VM500 | F21A8-40161 | S77N8-40361 | S14A8-40961 | S0634-46511 |
| VM550 | F21A8-40171 | S77N8-40371 | S14A8-40971 | S0634-46671 |
| VM600 | F21A8-40181 | S77N8-40381 | S14A8-40981 | S0634-46811 |

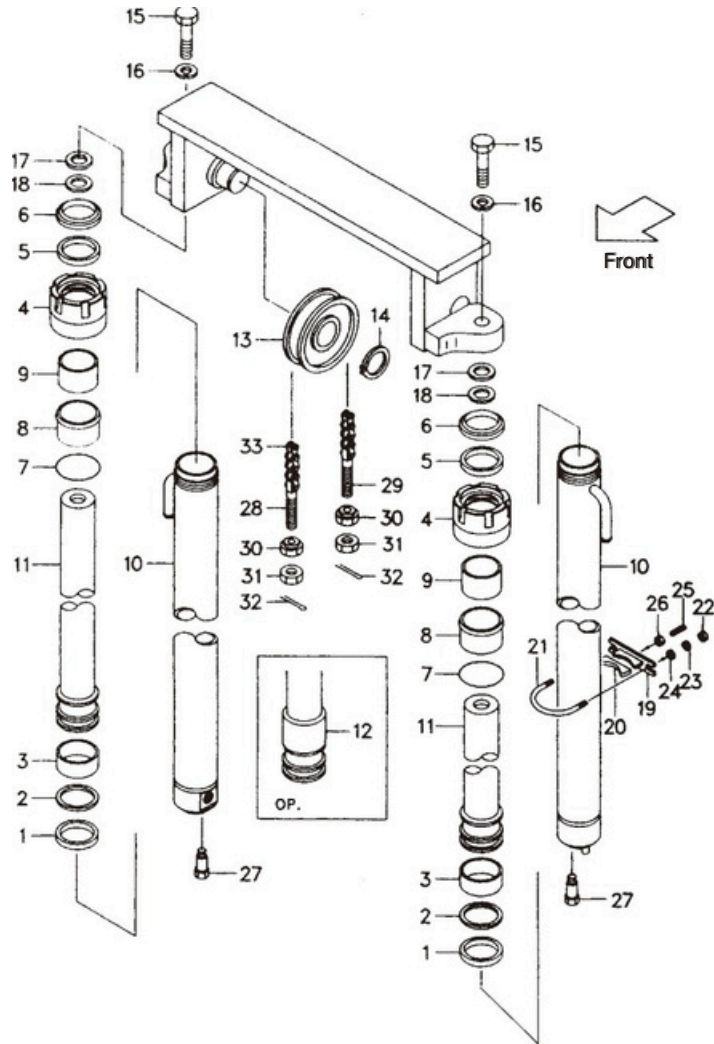
Fig.53 LIFT CYLINDER [VM31A]



| Item No. | Part No. | Description | Req'd | Remarks:Serial No. |
|----------|--------------|--|-------|-----------------------------|
| A | F31A8-40001a | LIFT CYLINDER ASS'Y (STD) H=VM300(Inc.1~12) | 2 | See OP. Parts |
| 1 | S31A8-42411 | ※ PACKING | 2 | |
| 2 | S31A8-42291 | ※ RING | 2 | |
| 3 | S31A8-42421 | ※ WEARING | 2 | |
| 4 | F31A8-42501 | CAP | 2 | |
| 5 | S31A8-42721 | ※ PACKING | 2 | |
| 6 | S31A8-46001 | ※ SEAL | 2 | |
| 7 | S31A8-42581 | ※ O-RING | 2 | |
| 8 | F31A8-42511 | SLEEVE | 2 | |
| 9 | S31A8-42561 | BUSHING | 2 | |
| 10 | S34F8-40201 | TUBE(STD) H=VM300 | 2 | See OP. Parts |
| 11 | S14J8-40801 | PISTON ROD(STD) H=VM300 | 2 | See OP. Parts |
| 12 | F31A8-43501 | SPACER | → | VM400-500=1 VM550, 600=2 |
| 13 | F31A8-43501 | SEAVE | 2 | |
| 14 | S2100-00040 | SNAP RING | 2 | |
| 15 | S1103-14040 | BOLT | 2 | |
| 16 | S2011-00014 | WASHER | 2 | |
| 17 | F21A8-22011 | SHIM t=0.2 | AR | |
| 18 | F21A8-22071 | SHIM t=0.5 | AR | |
| F | F31A8-42171 | SUPPORT ASS'Y(Inc.19, 20) | 2 | |
| 19 | F31A8-42181 | SUPPORT | 2 | |
| 20 | F31A8-42411 | RUBBER | 2 | |
| 21 | F31A8-42551 | U-BOLT | 2 | |
| 22 | F31A8-44561 | NUT | 4 | |

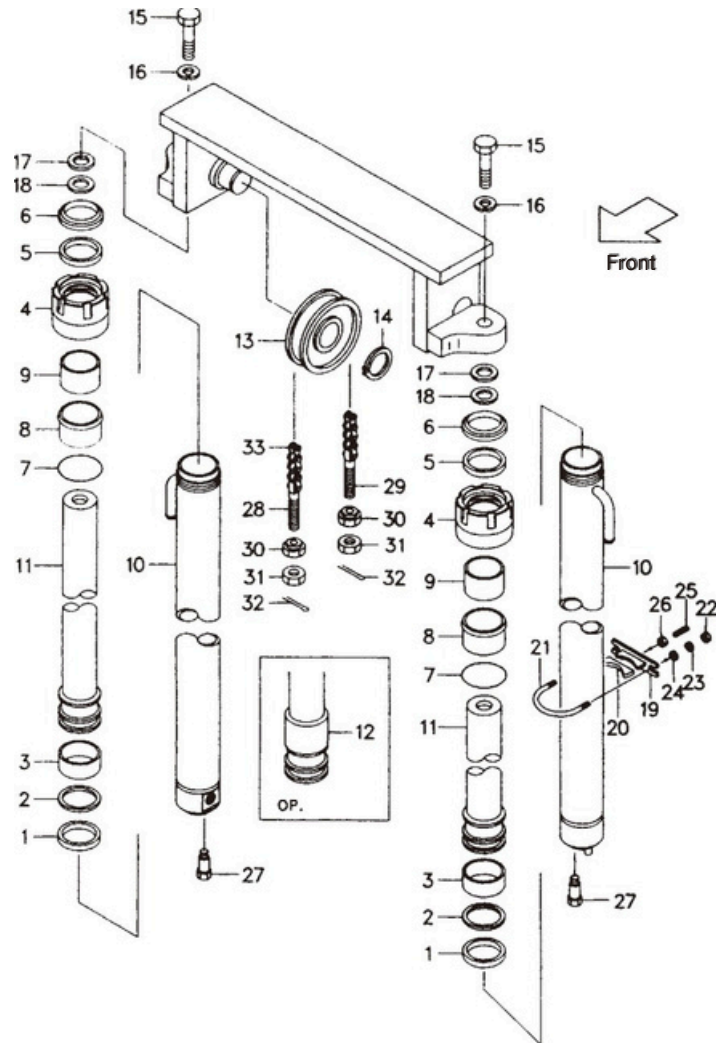
Fig.53

Fig.53 LIFT CYLINDER [VM31A]



| Item No. | Part No. | Description | Req'd | Remarks:Serial No. |
|----------|-------------|-------------------------|-------|--------------------|
| 23 | S2010-20010 | WASHER | 4 | |
| 24 | S2000-20010 | WASHER | 4 | |
| 25 | F31A8-42241 | PLUG | 2 | |
| 26 | F31A8-44571 | NUT | 2 | |
| 27 | F31A8-42581 | BOLT | 2 | |
| 28 | F31A8-45001 | PIN | 2 | |
| 29 | F31A8-45011 | PIN | 2 | |
| 30 | F31A8-44581 | NUT | 4 | |
| 31 | S1400-00018 | NUT | 4 | |
| 32 | S2200-03040 | PIN, cotter | 4 | |
| 33 | S0823-45751 | LEAF CHAIN(STD) H=VM300 | 2 | See OP. Parts |

Fig.53 LIFT CYLINDER [VM31A]

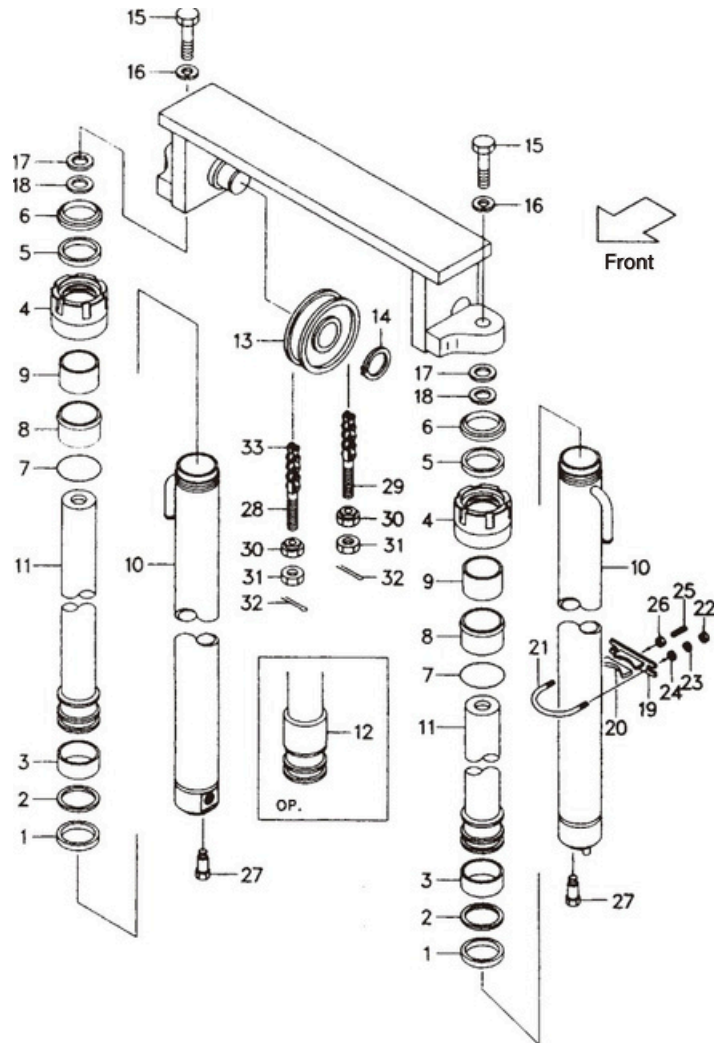


<Optional Parts>

| Item No. | A | 10 | 11 | 33 |
|-------------|--------------------|-------------|-------------|-------------|
| Lift Height | LIFT CYLINDER ASSY | TUBE | PISTON ROD | LEAF CHAIN |
| VM200 | F31A8-40011a | S34F8-40211 | S14J8-40811 | S0823-45551 |
| VM225 | F31A8-40021a | S34F8-40221 | S14J8-40821 | S0823-45591 |
| VM250 | F31A8-40031a | S34F8-40231 | S14J8-40831 | S0823-45651 |
| VM270 | F31A8-40041a | S34F8-40241 | S14J8-40841 | S0823-45691 |
| VM275 | F31A8-40051a | S34F8-40251 | S14J8-40851 | S0823-45691 |
| VM300 | (STD) | (STD) | (STD) | (STD) |
| VM325 | F31A8-40061a | S34F8-40261 | S14J8-40861 | S0823-45791 |
| VM330 | F31A8-40071a | S34F8-40271 | S14J8-40871 | S0823-45811 |
| VM350 | F31A8-40081a | S34F8-40281 | S14J8-40881 | S0823-45851 |
| VM366 | F31A8-40091a | S34F8-40291 | S14J8-40891 | S0823-45871 |
| VM370 | F31A8-40101a | S34F8-40301 | S14J8-40901 | S0823-45891 |
| VM375 | F31A8-40111a | S34F8-40311 | S14J8-40911 | S0823-45891 |
| VM400 | F31A8-40121a | S34F8-40321 | S14J8-40921 | S0823-45971 |
| VM425 | F31A8-40131a | S34F8-40331 | S14J8-40931 | S0823-46011 |
| VM450 | F31A8-40141a | S34F8-40341 | S14J8-40941 | S0823-46071 |
| VM475 | F31A8-40151a | S34F8-40351 | S14J8-40951 | S0823-46111 |
| VM500 | F31A8-40161a | S34F8-40361 | S14J8-40961 | S0823-46151 |
| VM550 | F31A8-40171a | S34F8-40371 | S14J8-40971 | S0823-46271 |
| VM600 | F31F8-40181a | S34F8-40381 | S14J8-40981 | S0823-46371 |

Fig.54

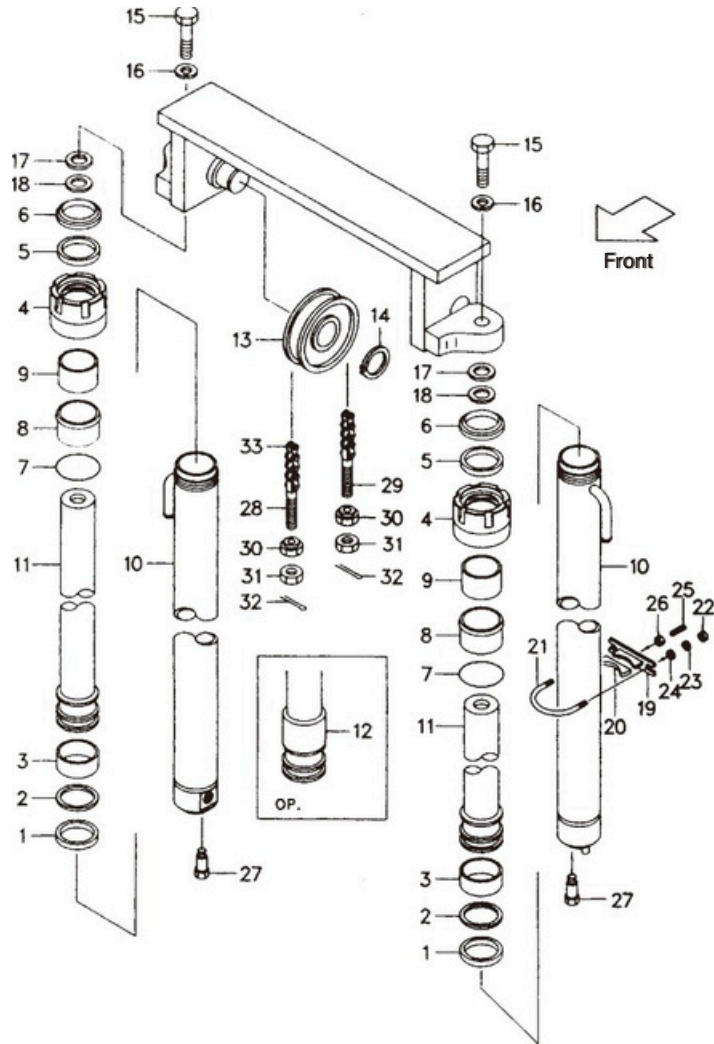
Fig.54 LIFT CYLINDER [VM36A]



| Item No. | Part No. | Description | Req'd | Remarks:Serial No. |
|----------|---------------|---|-------|-----------------------------|
| A | F38A8-40001 | LIFT CYLINDER ASS'Y (STD)H=VM300(Inc.1-12) | 2 | See OP. Parts |
| 1 | S31A8-42411 ※ | ACKING | 2 | |
| 2 | S31A8-42291 ※ | RING | 2 | |
| 3 | S31A8-42421 ※ | WEARING | 2 | |
| 4 | F31A8-42501 | CAP | 2 | |
| 5 | S31A8-42721 ※ | PACKING | 2 | |
| 6 | S31A8-46001 ※ | SEAL | 2 | |
| 7 | S31A8-42581 ※ | O-RING | 2 | |
| 8 | F31A8-42511 | SLEEVE | 2 | |
| 9 | S31A8-42561 | BUSHING | 2 | |
| 12 | F31A8-43501 | SPACER | → | VM400~500=1 VM550, 600=2 |
| 13 | F31A8-43501 | SEAVE | 2 | |
| 14 | S2100-00040 | SNAP RING | 2 | |
| 15 | S1103-14040 | BOLTWASHER | 2 | |
| 16 | S2011-00014 | | 2 | |
| 17 | F21A8-22011 | SHIM t=0.2 | AR | |
| 18 | F21A8-22071 | SHIM t=0.5 | AR | |
| F | F31A8-42171 | SUPPORT ASS'Y(Inc.19, 20) | 2 | |
| 19 | F31A8-42181 | SUPPORT | 2 | |
| 20 | F31A8-42411 | RUBBER | 2 | |
| 21 | F31A8-42551 | U-BOLT | 2 | |
| 22 | F31A8-44561 | NUT | 4 | |

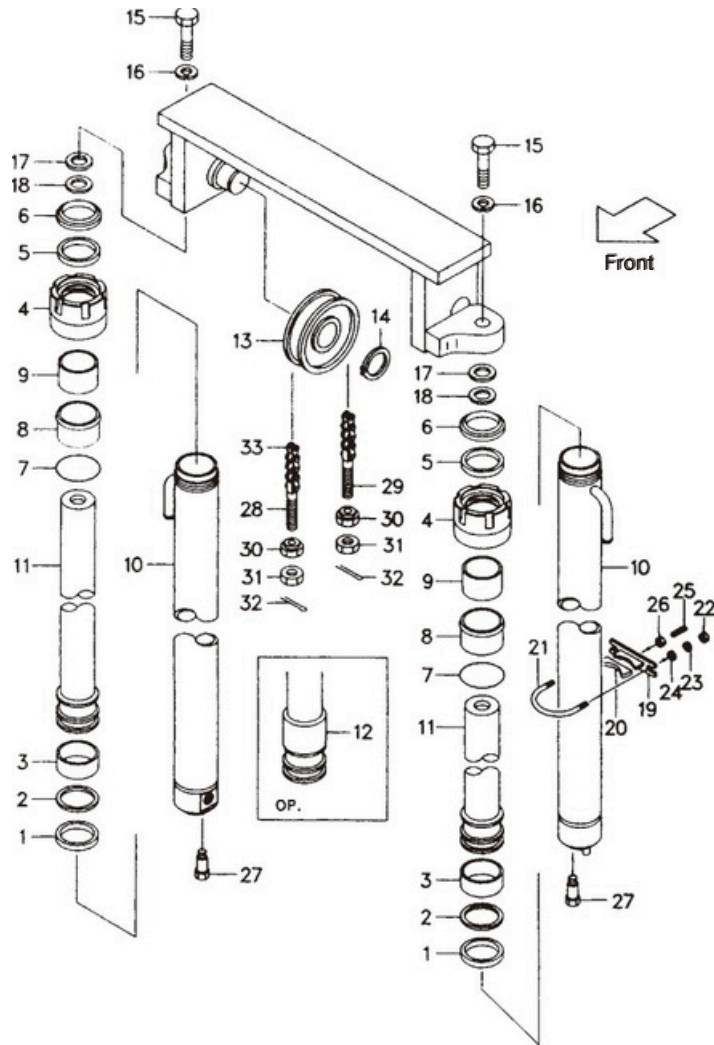
Fig.54

Fig.54 LIFT CYLINDER [VM36A]



| Item No. | Part No. | Description | Req'd | Remarks:Serial No. |
|----------|-------------|-------------------------|-------|--------------------|
| 23 | S2010-20010 | WASHER | 4 | |
| 24 | S2000-20010 | WASHER | 4 | |
| 25 | F31A8-42241 | PLUG | 2 | |
| 26 | F31A8-44571 | NUT | 2 | |
| 27 | F31A8-42581 | BOLT | 2 | |
| 28 | F31A8-45001 | PIN | 2 | |
| 29 | F31A8-45011 | PIN | 2 | |
| 30 | F31A8-44581 | NUT | 4 | |
| 31 | S1400-00018 | NUT | 4 | |
| 32 | S2200-03040 | PIN, cotter | 4 | |
| 33 | S0834-45751 | LEAF CHAIN(STD) H=VM300 | 2 | See OP. Parts |

Fig.54 LIFT CYLINDER [VM36A]

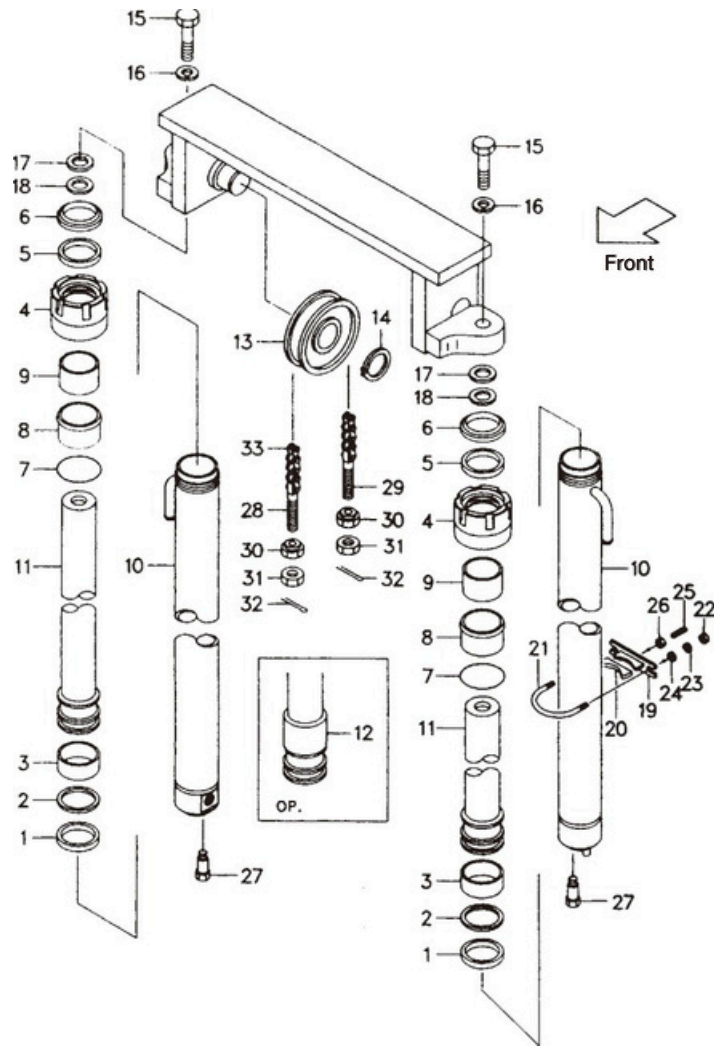


<Optional Parts>

| Item No. | A | 33 |
|-------------|---------------------|-------------|
| Lift Height | LIFT CYLINDER ASS'Y | LEAF CHAIN |
| VM200 | F38A8-40011 | S0834-45551 |
| VM225 | F38A8-40021 | S0834-45591 |
| VM250 | F38A8-40031 | S0834-45651 |
| VM270 | F38A8-40041 | S0834-45691 |
| VM275 | F38A8-40051 | S0834-45691 |
| VM300 | (STD) | (STD) |
| VM325 | F38A8-40061 | S0834-45791 |
| VM330 | F38A8-40071 | S0834-45811 |
| VM350 | F38A8-40081 | S0834-45851 |
| VM366 | F38A8-40091 | S0834-45871 |
| VM370 | F38A8-40101 | S0834-45891 |
| VM375 | F38A8-40111 | S0834-45891 |
| VM400 | F38A8-40121 | S0834-45971 |
| VM425 | F38A8-40131 | S0834-46011 |
| VM450 | F38A8-40141 | S0834-46071 |
| VM475 | F38A8-40151 | S0834-46111 |
| VM500 | F38A8-40161 | S0834-46151 |
| VM550 | F38A8-40171 | S0834-46271 |
| VM600 | F38F8-40181 | S0834-46371 |

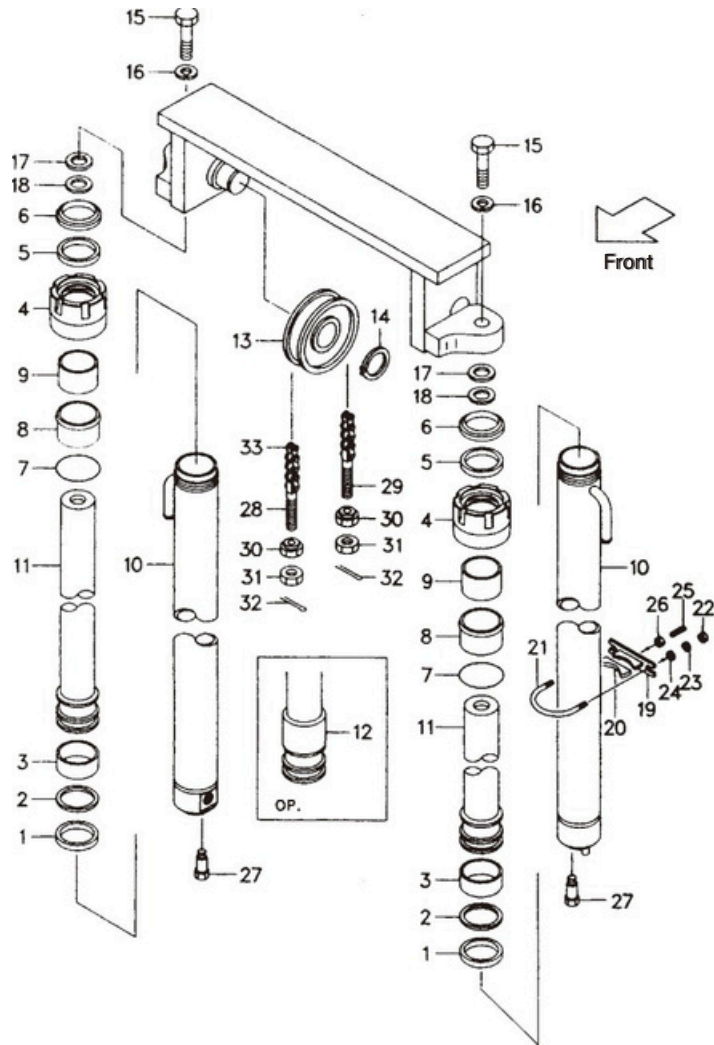
Fig.55

Fig.55 LIFT CYLINDER [VM41A]



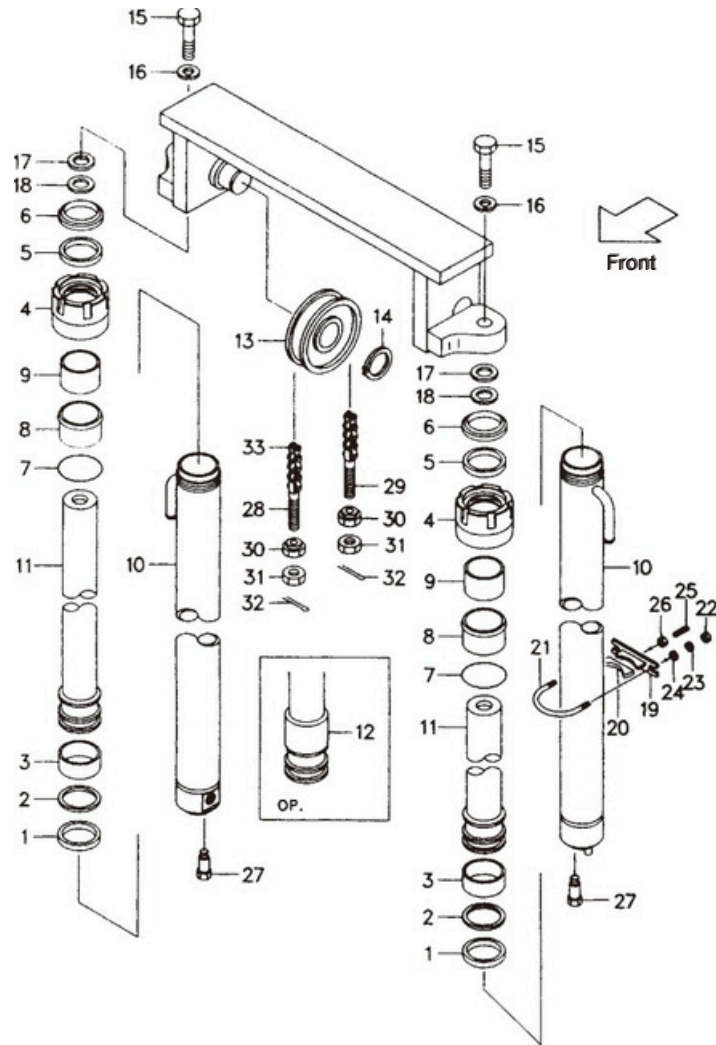
| Item No. | Part No. | Description | Req'd | Remarks:Serial No. |
|----------|-------------|--|-------|-----------------------------|
| A | F38A8-40001 | LIFT CYLINDER ASS'Y (STD) H=VM300(Inc.1-12) | 2 | See OP. Parts |
| 1 | S31A8-42411 | ※ PACKING | 2 | |
| 2 | S31A8-42291 | ※ RING | 2 | |
| 3 | S31A8-42421 | ※ WEARING | 2 | |
| 4 | F31A8-42501 | CAP | 2 | |
| 5 | S31A8-42721 | ※ PACKING | 2 | |
| 6 | S31A8-46001 | ※ SEAL | 2 | |
| 7 | S31A8-42581 | ※ O-RING | 2 | |
| 8 | F31A8-42511 | SLEEVE | 2 | |
| 9 | S31A8-42561 | BUSHING | 2 | |
| 12 | F31A8-43501 | SPACER | → | VM400-500=1 VM550, 600=2 |
| 13 | F31A8-43501 | SNAPRING | 2 | |
| 14 | S2100-00040 | BOLT | 2 | |
| 15 | S1103-14040 | WASHER | 2 | |
| 16 | S2011-00014 | | 2 | |
| 17 | F21A8-22011 | SHIM t=0.2 | AR | |
| 18 | F21A8-22071 | SHIM t=0.5 | AR | |
| F | F31A8-42171 | SUPPORT ASS'Y(Inc.19, 20) | 2 | |
| 19 | F31A8-42181 | SUPPORT | 2 | |
| 20 | F31A8-42411 | RUBBER | 2 | |
| 21 | F31A8-42551 | U-BOLT | 2 | |
| 22 | F31A8-44561 | NUT | 4 | |

Fig.55 LIFT CYLINDER [VM41A]



| Item No. | Part No. | Description | Req'd | Remarks:Serial No. |
|----------|-------------|-------------------------|-------|--------------------|
| 23 | S2010-20010 | WASHER | 4 | |
| 24 | S2000-20010 | WASHER | 4 | |
| 25 | F31A8-42241 | PLUG | 2 | |
| 26 | F31A8-44571 | NUT | 2 | |
| 27 | F31A8-42581 | BOLT | 2 | |
| 28 | F31A8-45001 | PIN | 2 | |
| 29 | F31A8-45011 | PIN | 2 | |
| 30 | F31A8-44581 | NUT | 4 | |
| 31 | S1400-00018 | NUT | 4 | |
| 32 | S2200-03040 | PIN, cotter | 4 | |
| 33 | S0834-45791 | LEAF CHAIN(STD) H=VM300 | 2 | See OP. Parts |

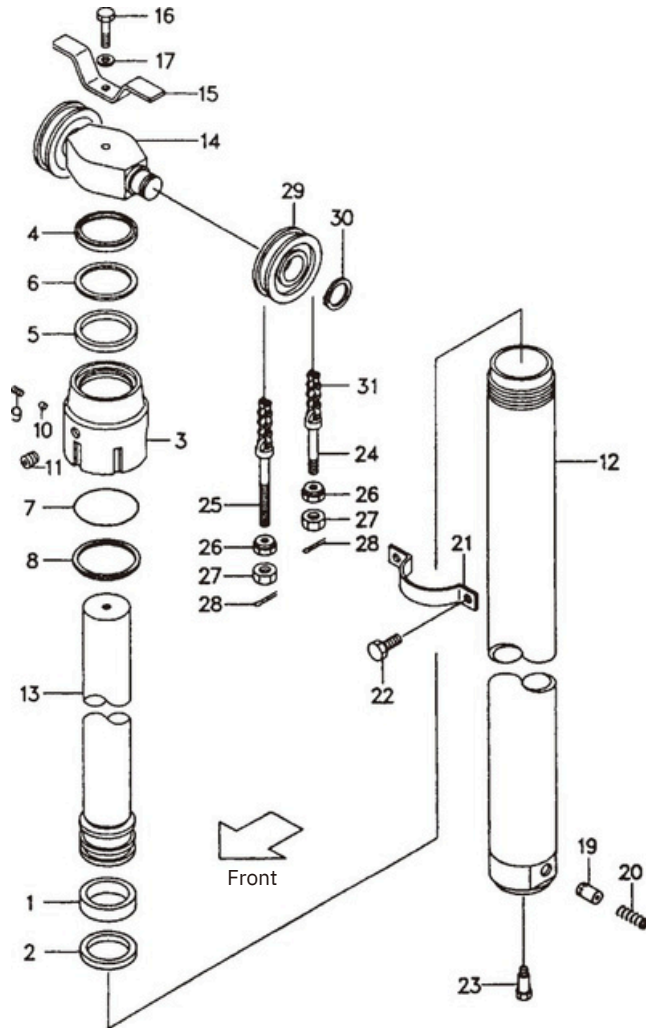
Fig.55 LIFT CYLINDER [VM41A]



<Optional Parts>

| Item No. | A | 33 |
|-------------|---------------------|-------------|
| Lift Height | LIFT CYLINDER ASS'Y | LEAF CHAIN |
| | F38A8-40011 | S0834-45591 |
| | F38A8-40021 | S0834-45631 |
| | F38A8-40031 | S0834-45691 |
| | F38A8-40041 | S0834-45731 |
| | F38A8-40051 | S0834-45731 |
| | (STD) | (STD) |
| | F38A8-40061 | S0834-45831 |
| | F38A8-40071 | S0834-45851 |
| | F38A8-40081 | S0834-45891 |
| | F38A8-40091 | S0834-45911 |
| | F38A8-40101 | S0834-45931 |
| | F38A8-40111 | S0834-45931 |
| | F38A8-40121 | S0834-46011 |
| | F38A8-40131 | S0834-46051 |
| | F38A8-40141 | S0834-46111 |
| | F38A8-40151 | S0834-46151 |
| | F38A8-40161 | S0834-46191 |
| | F38A8-40171 | S0834-46311 |
| | F38F8-40181 | S0834-46411 |

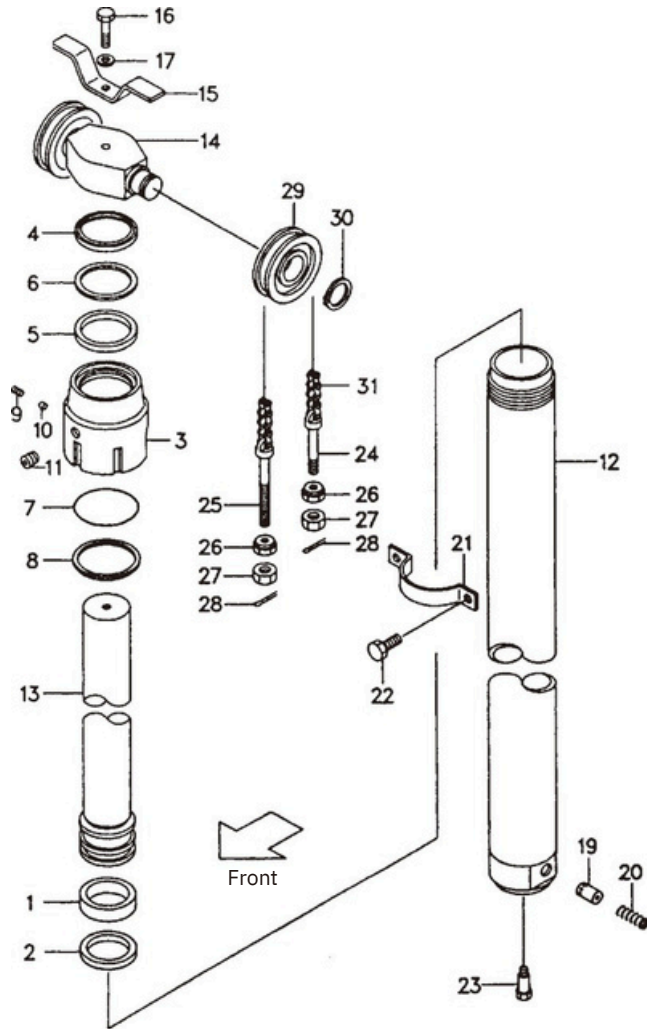
Fig.56 LIFT CYLINDER (FRONT) [VFM21A]



| Item No. | Part No. | Description | Req'd | Remarks:Serial No. |
|----------|--------------|---|-------|--------------------|
| A | F21A0-50101b | LIFT CYLINDER ASS'Y (STD) H=VFM300 (Inc. 1-13,19,20) | 1 | See OP. Parts |
| 1 | S21A0-52641 | WEARING | 1 | |
| 2 | S21A0-52011 | PISTON RING | 1 | |
| B | S21A0-50901 | CAP ASS'Y (Inc. 3-8) KL1 | 1 | |
| 3 | F21A0-52103 | CAP | 1 | |
| 4 | S21A0-53201 | SEAL | 1 | |
| 5 | S21A0-52251 | PACKING | 1 | |
| 6 | S21A0-52261 | RING | 1 | |
| 7 | S3350-00950 | O-RING | 1 | |
| 8 | S21A0-52141 | RING | 1 | |
| 9 | F31A0-44101 | PLUG | 1 | |
| 10 | F31A0-44111 | PLUG, nylon | 1 | |
| 11 | F31A0-40151 | PLUG, sunk | 1 | |
| 12 | S29F0-50301 | TUBE (STD) H=VFM300 | 1 | See OP. Parts |
| 13 | S14F0-50501 | PISTON ROD (STD) H=VFM300 | 1 | See OP. Parts |
| 14 | F31A0-82501 | PISTON HEAD | 1 | |
| 15 | F31A0-82681 | STOPPER | 1 | |
| 16 | S1100-16070 | BOLT | 1 | |
| 17 | S2010-00016 | WASHER | 1 | |
| 19 | F21A0-82101 | PISTON | 1 | |
| 20 | F31A0-46021 | SPRING | 1 | |
| 21 | F31A0-82651 | SUPPORT | 1 | |
| 22 | S1184-10018 | BOLT | 2 | |
| 23 | F31A0-82831 | BOLT | 1 | |
| 24 | F21A8-45001 | PIN | 2 | |
| 25 | F21A8-45011 | PIN | 2 | |

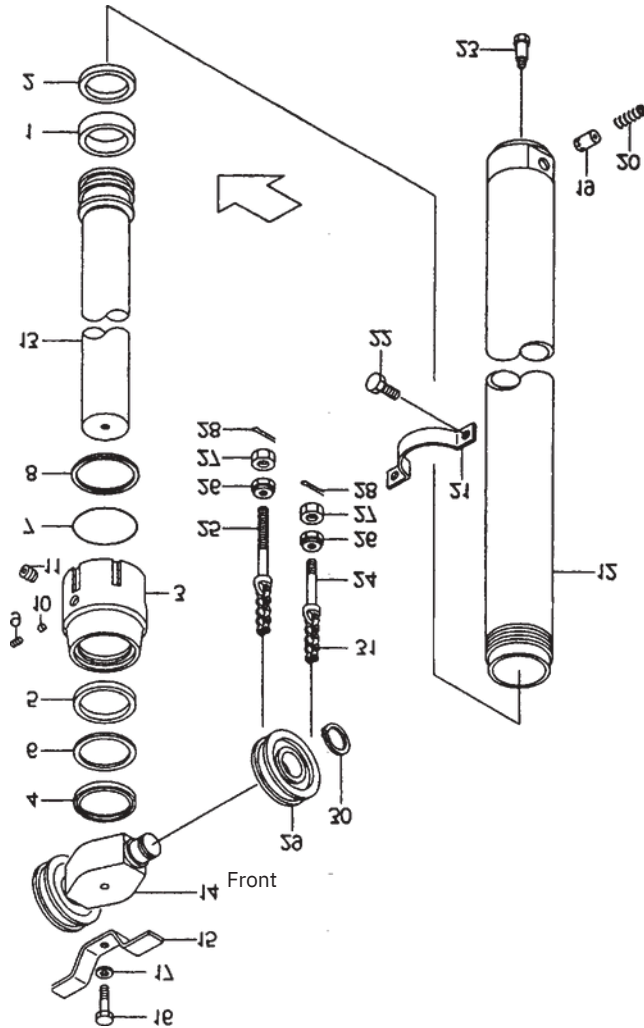
Fig.56

Fig.56 LIFT CYLINDER (FRONT) [VFM21A]



| Item No. | Part No. | Description | Req'd | Remarks:Serial No. |
|----------|-------------|------------------------------|-------|--------------------|
| 26 | F31A8-44581 | NUT | 4 | |
| 27 | S1400-00018 | NUT | 4 | |
| 28 | S2200-03040 | PIN, cotter | 4 | |
| 29 | F31A8-43501 | SEAVE | 2 | |
| 30 | S2100-00040 | SNAP RING | 2 | |
| 31 | S0634-45791 | LEAF CHAIN (STD) H=VFM300 | 2 | See OP. Parts |

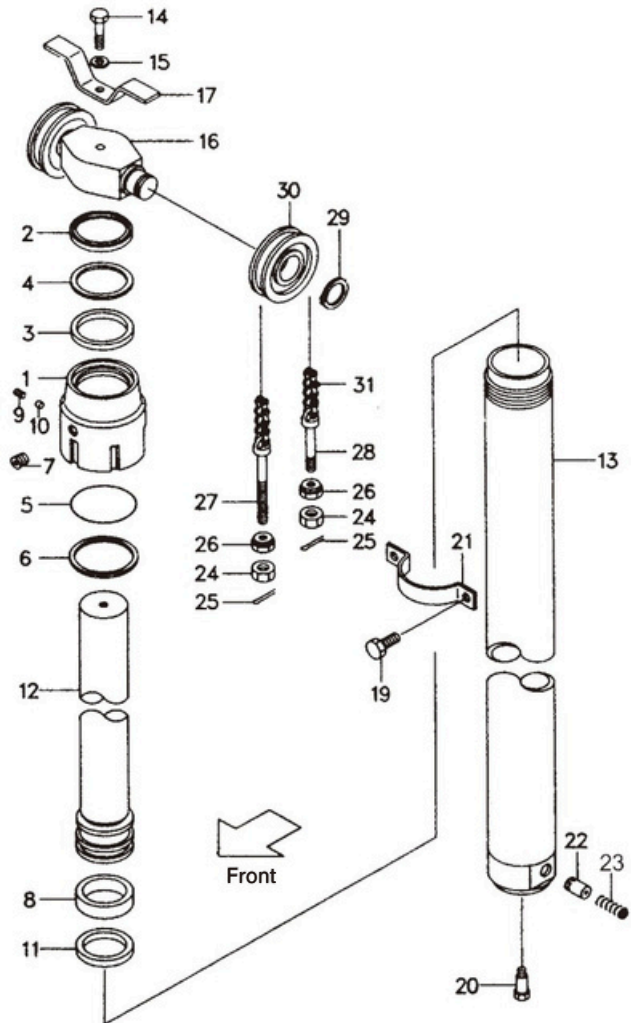
Fig.56 LIFT CYLINDER (FRONT) [VFM21A]



<Optional Parts>

| Item No. | A | 12 | 13 | 31 |
|-------------|---------------------|-------------|-------------|-------------|
| Lift Height | LIFT CYLINDER ASS'Y | TUBE | PISTON ROD | LEAF CHAIN |
| VFM200 | F21A0-50111 | S29F0-50311 | S14A0-50511 | S0634-45651 |
| VFM225 | F21A0-50121a | S29F0-50321 | S14A0-50521 | S0634-45691 |
| VFM250 | F21A0-50131a | S29F0-50331 | S14A0-50531 | S0634-45731 |
| VFM270 | F21A0-50141a | S29F0-50341 | S14A0-50541 | S0634-45771 |
| VFM275 | F21A0-50151a | S29F0-50351 | S14A0-50551 | S0634-45771 |
| VFM300 | (STD) | (STD) | (STD) | (STD) |
| VFM325 | F21A0-50161a | S29F0-50361 | S14A0-50561 | S0634-45851 |
| VFM330 | F21A0-50171a | S29F0-50371 | S14A0-50571 | S0634-45851 |
| VFM350 | F21A0-50181a | S29F0-50381 | S14A0-50581 | S0634-45891 |
| VFM370 | F21A0-50191a | S29F0-80261 | S14A0-50601 | S0634-45931 |
| VFM375 | F21A0-50211a | S29F0-50411 | S14A0-50611 | S0634-45931 |
| VFM400 | F21A0-50221a | S29F0-50421 | S14A0-50621 | S0634-45971 |
| VFM425 | F21A0-50231a | S29F0-50431 | S14A0-50631 | S0634-46011 |
| VFM450 | F21A0-50241a | S29F0-50441 | S14A0-50641 | S0634-46051 |
| VFM475 | F21A0-50251a | S29F0-50451 | S14A0-50651 | S0634-46091 |
| VFM500 | F21A0-50261a | S29F0-50461 | S14A0-50661 | S0634-46131 |
| VFM550 | F21A0-50271a | S29F0-50471 | S14A0-50671 | S0634-46191 |
| VFM600 | F21A0-50281a | S29F0-50481 | S14A0-50681 | S0634-46251 |

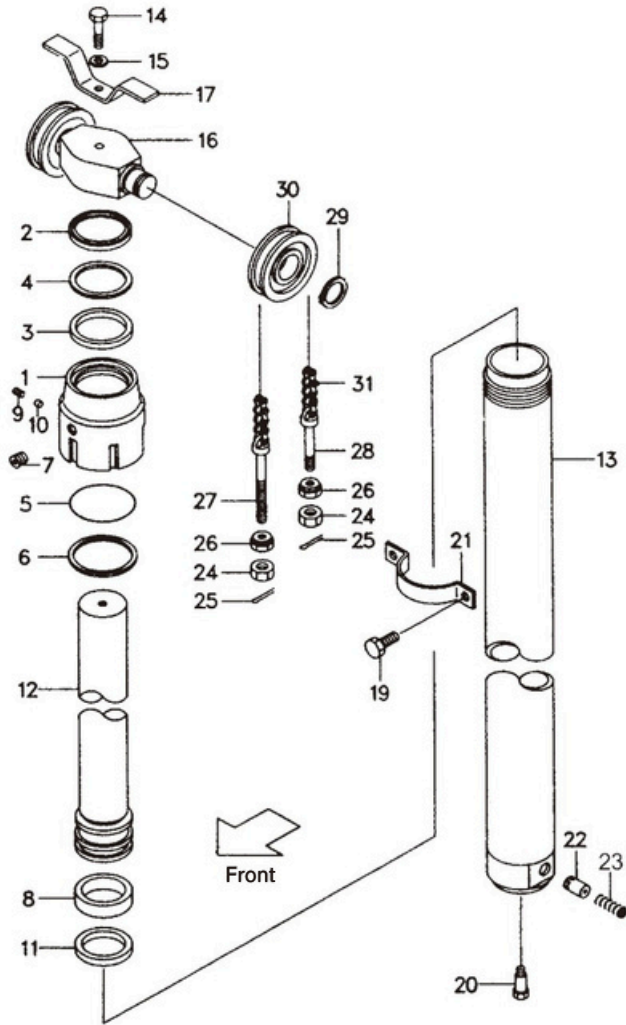
Fig.57 LIFT CYLINDER (FRONT) [VFM31A]



| Item No. | Part No. | Description | Req'd | Remarks:Serial No. |
|----------|--------------|---|-------|--------------------|
| A | F31A0-50101b | LIFT CYLINDER ASS'Y (STD) H=VFM300 (Inc. 1-13,22,23) | 1 | See OP. Parts |
| B | S31A0-51601 | CAP ASS'Y (Inc. 1-6) | 1 | |
| 1 | S31A0-52401 | CAP | 1 | |
| 2 | S31A0-52721 | SEAL | 1 | |
| 3 | S31A0-52241 | PACKING | 1 | |
| 4 | S31A0-52251 | RING | 1 | |
| 5 | S31A0-52291 | O-RING | 1 | |
| 6 | S31A0-52281 | RING | 1 | |
| 7 | F3140-40151 | PLUG | 1 | |
| 8 | S31A0-52131 | WEARING | 1 | |
| 9 | F31A0-44101 | PLUG | 1 | |
| 10 | F31A0-44111 | PLUG, nylon | 1 | |
| 11 | S31A0-52011 | PISTON RING | 1 | |
| 12 | S14J0-50501 | PISTON ROD (STD) H=VFM300 | 1 | See OP. Parts |
| 13 | S29L0-50301 | TUBE (STD) H=VFM300 | 1 | See OP. Parts |
| 14 | S1100-16070 | BOLT | 1 | |
| 15 | S2010-00016 | WASHER | 1 | |
| 16 | F31A0-82501 | PISTON HEAD | 1 | |
| 17 | F31A0-82681 | STOPPER | 1 | |
| 19 | S1184-10018 | BOLT | 2 | |
| 20 | F31A0-82831 | BOLT | 1 | |
| 21 | F31A0-82651 | SUPPORT | 1 | |
| 22 | F31A0-82551 | PISTON | 1 | |
| 23 | F31A0-46021 | SPRING | 1 | |
| 24 | S1400-00018 | NUT | 4 | |

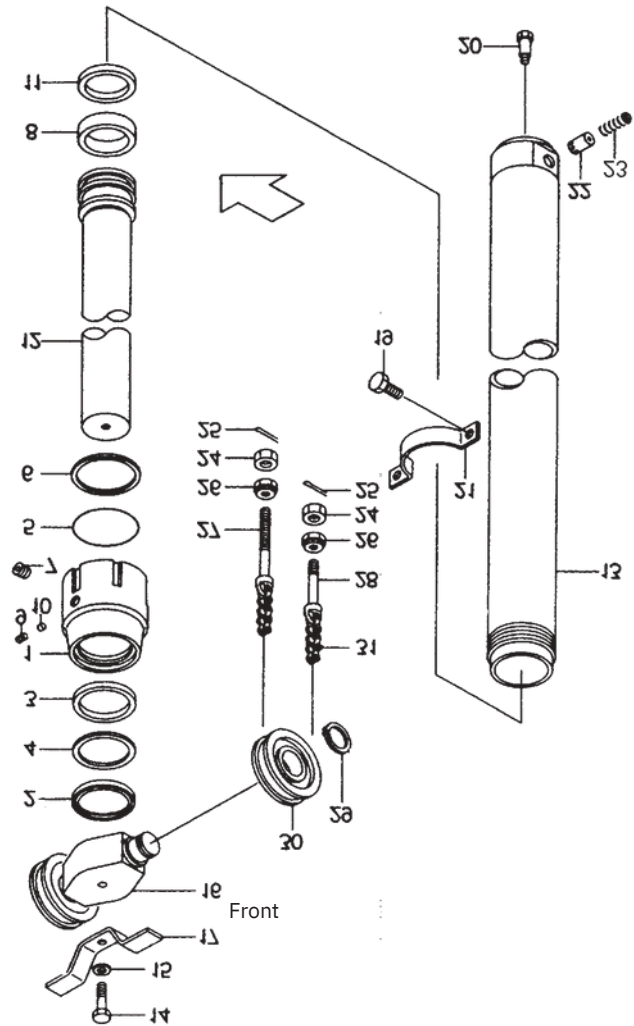
Fig.57

Fig.57 LIFT CYLINDER (FRONT) [VFM31A]



| Item No. | Part No. | Description | Req'd | Remarks:Serial No. |
|----------|-------------|-------------------------|-------|--------------------|
| 25 | S2200-03040 | PIN, cotter | 4 | |
| 26 | F31A8-44581 | NUT | 4 | |
| 27 | F31A8-45021 | PIN | 2 | |
| 28 | F31A8-45011 | PIN | 2 | |
| 29 | S2100-00040 | SNAP RING | 2 | |
| 30 | F31A8-43501 | SHEAVE | 2 | |
| 31 | S1823-45611 | LEAF CHAIN(STD)H=VFM300 | 2 | See OP. Parts |

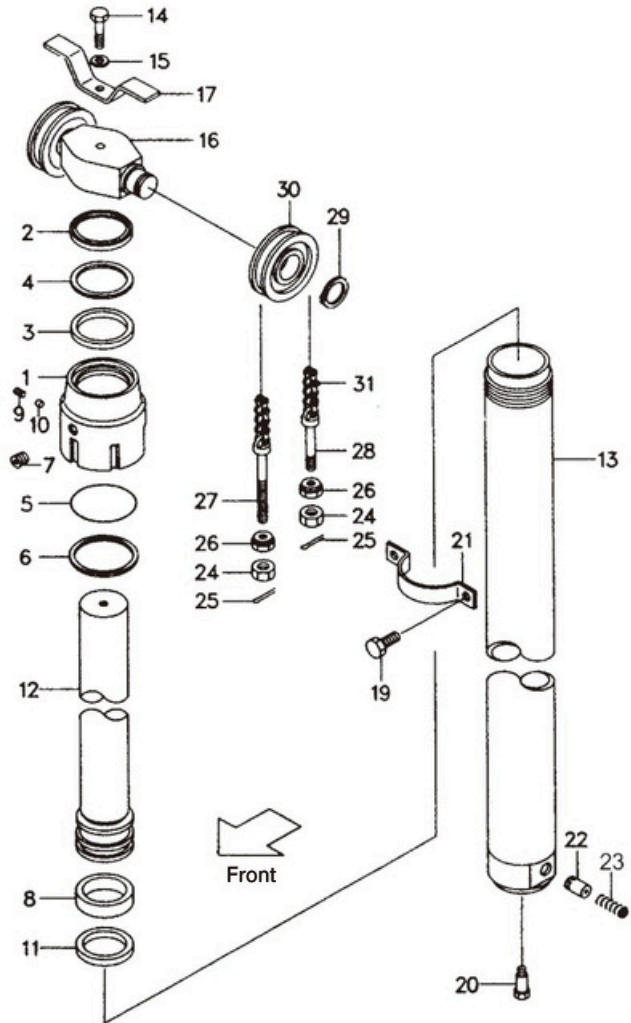
Fig.57 LIFT CYLINDER (FRONT) [VFM31A]



<Optional Parts>

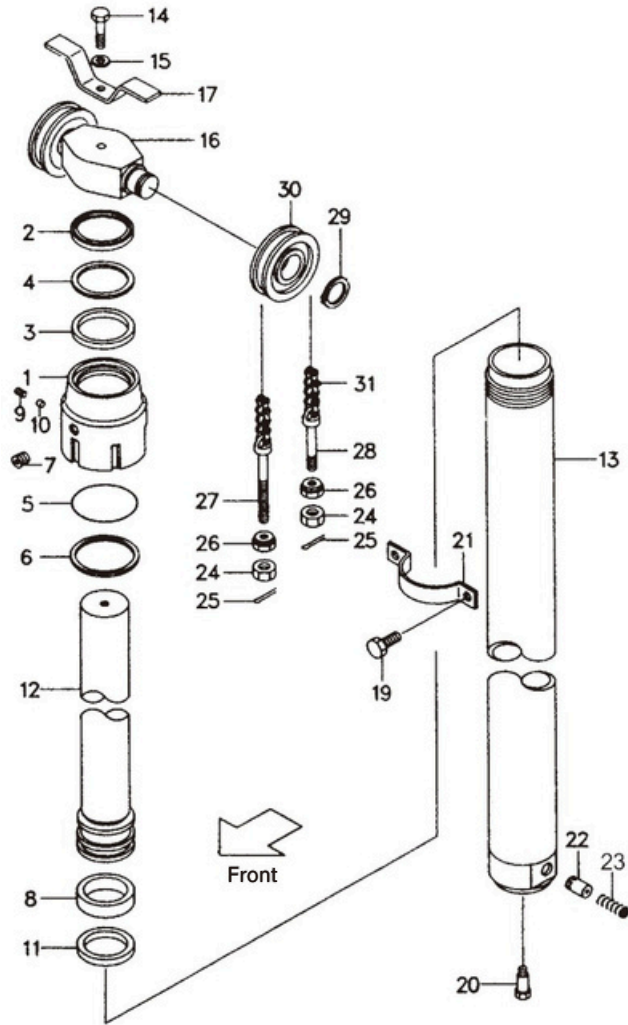
| Item No. | A | 12 | 13 | 31 |
|-------------|---------------------|-------------|-------------|-------------|
| Lift Height | LIFT CYLINDER ASS'Y | TUBE | PISTON ROD | LEAF CHAIN |
| VFM200 | F31A0-50111b | S14J0-50511 | S29L0-50311 | S1823-45491 |
| VFM225 | F31A0-50121b | S14J0-50521 | S29L0-50321 | S1823-45531 |
| VFM250 | F31A0-50131b | S14J0-50531 | S29L0-50331 | S1823-45571 |
| VFM270 | F31A0-50141b | S14J0-50541 | S29L0-50341 | S1823-45591 |
| VFM275 | F31A0-50151b | S14J0-50551 | S29L0-50351 | S1823-45591 |
| VFM300 | (STD) | (STD) | (STD) | (STD) |
| VFM325 | F31A0-50161b | S14J0-50561 | S29L0-50361 | S1823-45651 |
| VFM330 | F31A0-50171b | S14J0-50571 | S29L0-50371 | S1823-45671 |
| VFM350 | F31A0-50181b | S14J0-50581 | S29L0-50381 | S1823-45691 |
| VFM370 | F31A0-50191b | S14J0-50601 | S29L0-80261 | S1823-45711 |
| VFM375 | F31A0-50511b | S14J0-50611 | S29L0-50411 | S1823-45711 |
| VFM400 | F31A0-50521b | S14J0-50621 | S29L0-50421 | S1823-45751 |
| VFM425 | F31A0-50531b | S14J0-50631 | S29L0-50431 | S1823-45771 |
| VFM450 | F31A0-50541b | S14J0-50641 | S29L0-50441 | S1823-45791 |
| VFM475 | F31A0-50551b | S14J0-50651 | S29L0-50451 | S1823-45811 |
| VFM500 | F31A0-50561b | S14J0-50661 | S29L0-50461 | S1823-45871 |
| VFM550 | F31A0-50571b | S14J0-50671 | S29L0-50471 | S1823-45931 |
| VFM600 | F31A0-50581b | S14J0-50681 | S29L0-50481 | S1823-45991 |

Fig.58 LIFT CYLINDER (FRONT) [VFM41A]



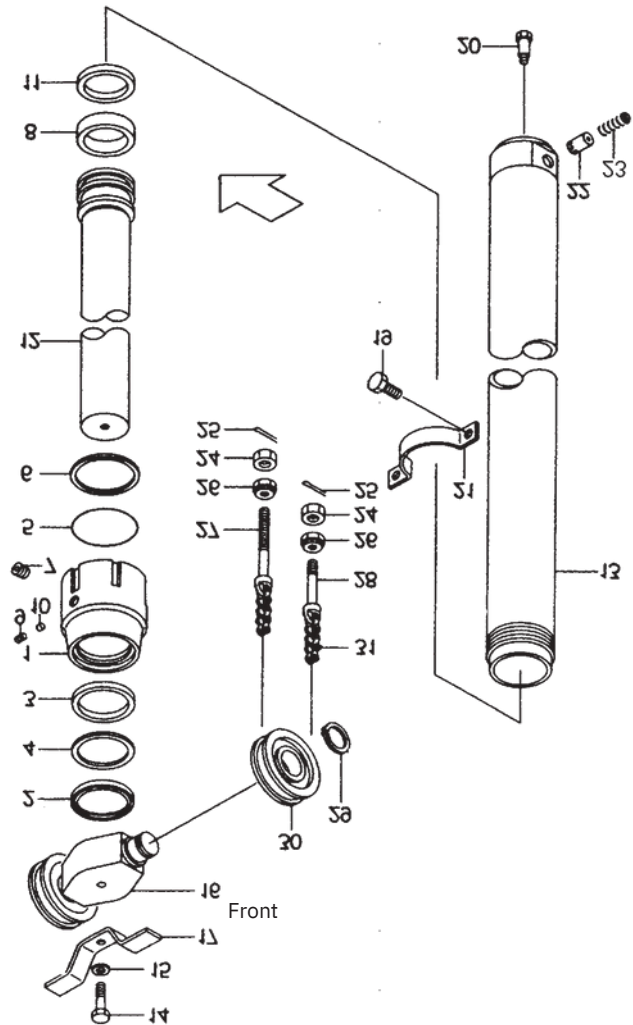
| Item No. | Part No. | Description | Req'd | Remarks:Serial No. |
|----------|--------------|---|-------|--------------------|
| A | F31A0-50101b | LIFT CYLINDER ASS'Y (STD) H=VFM300 (Inc. 1~13,22,23) | 1 | See OP. Parts |
| B | S31A0-51601 | CAP ASS'Y (Inc. 1~6) | 1 | |
| 1 | S31A0-52401 | CAP | 1 | |
| 2 | S31A0-52721 | SEAL | 1 | |
| 3 | S31A0-52241 | PACKING | 1 | |
| 4 | S31A0-52251 | RING | 1 | |
| 5 | S31A0-52291 | O-RING | 1 | |
| 6 | S31A0-52281 | RING | 1 | |
| 7 | F3140-40151 | PLUG | 1 | |
| 8 | S31A0-52131 | WEARING | 1 | |
| 9 | F31A0-44101 | PLUG | 1 | |
| 10 | F31A0-44111 | PLUG, nylon | 1 | |
| 11 | S31A0-52011 | PISTON RING | 1 | |
| 12 | S14J0-50501 | PISTON ROD (STD) H=VFM300 | 1 | See OP. Parts |
| 13 | S29L0-50301 | TUBE (STD) H=VFM300 | 1 | See OP. Parts |
| 14 | S1100-16070 | BOLT | 1 | |
| 15 | S2010-00016 | WASHER | 1 | |
| 16 | F31A0-82501 | PISTON HEAD | 1 | |
| 17 | F31A0-82681 | STOPPER | 1 | |
| 19 | S1184-10018 | BOLT | 2 | |
| 20 | F31A0-82831 | BOLT | 1 | |
| 21 | F31A0-82651 | SUPPORT | 1 | |
| 22 | F31A0-82551 | PISTON | 1 | |
| 23 | F31A0-46021 | SPRING | 1 | |
| 24 | S1400-00018 | NUT | 4 | |

Fig.58 LIFT CYLINDER (FRONT) [VFM41A]



| Item No. | Part No. | Description | Req'd | Remarks:Serial No. |
|----------|-------------|-------------------------|-------|--------------------|
| 25 | S2200-03040 | PIN, cotter | 4 | |
| 26 | F31A8-44581 | NUT | 4 | |
| 27 | F31A8-45021 | PIN | 2 | |
| 28 | F31A8-45011 | PIN | 2 | |
| 29 | S2100-00040 | SNAP RING | 2 | |
| 30 | F31A8-43501 | SHEAVE | 2 | |
| 31 | S0834-45631 | LEAF CHAIN(STD)H=VFM300 | 2 | See OP. Parts |

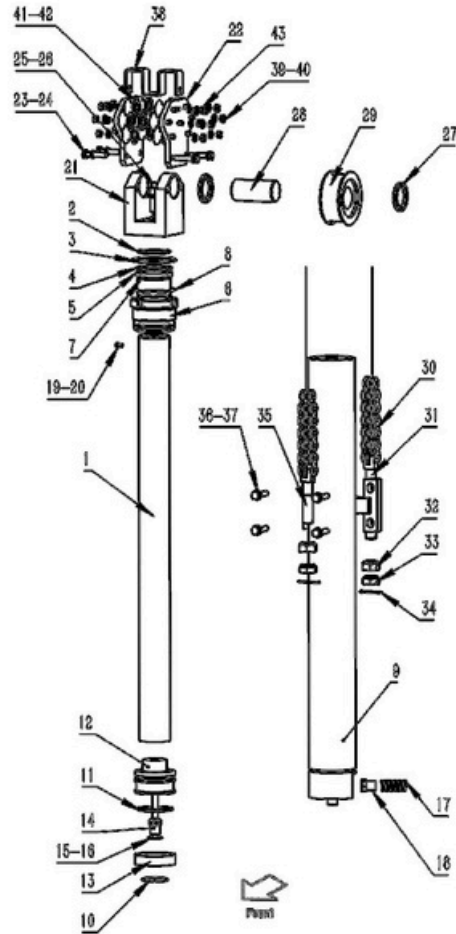
Fig.58 LIFT CYLINDER (FRONT) [VFM41A]



<Optional Parts>

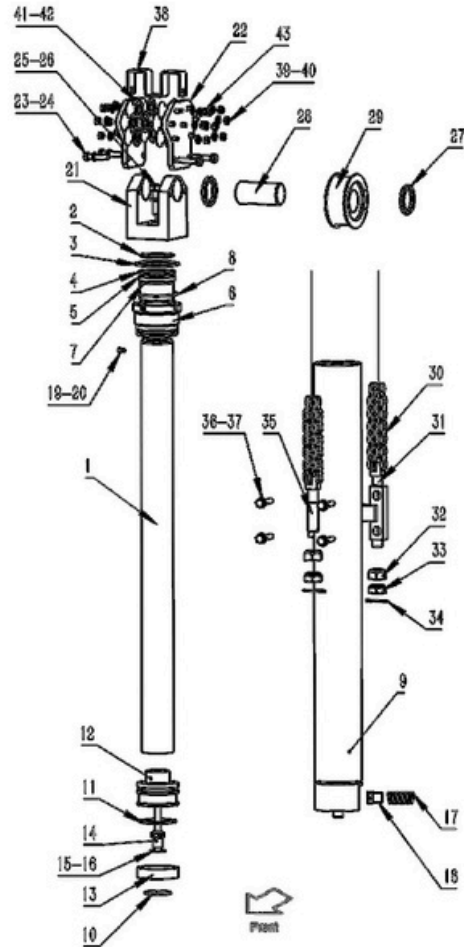
| Item No. | A | 12 | 13 | 31 |
|-------------|---------------------|-------------|-------------|-------------|
| Lift Height | LIFT CYLINDER ASS'Y | TUBE | PISTON ROD | LEAF CHAIN |
| VFM200 | F31A0-50111b | S14J0-50511 | S29L0-50311 | S0834-45531 |
| VFM225 | F31A0-50121b | S14J0-50521 | S29L0-50321 | S0834-45571 |
| VFM250 | F31A0-50131b | S14J0-50531 | S29L0-50331 | S0834-45611 |
| VFM270 | F31A0-50141b | S14J0-50541 | S29L0-50341 | S0834-45631 |
| VFM275 | F31A0-50151b | S14J0-50551 | S29L0-50351 | S0834-45631 |
| VFM300 | (STD) | (STD) | (STD) | (STD) |
| VFM325 | F31A0-50161b | S14J0-50561 | S29L0-50361 | S0834-45691 |
| VFM330 | F31A0-50171b | S14J0-50571 | S29L0-50371 | S0834-45711 |
| VFM350 | F31A0-50181b | S14J0-50581 | S29L0-50381 | S0834-45731 |
| VFM370 | F31A0-50191b | S14J0-50601 | S29L0-80261 | S0834-45751 |
| VFM375 | F31A0-50511b | S14J0-50611 | S29L0-50411 | S0834-45751 |
| VFM400 | F31A0-50521b | S14J0-50621 | S29L0-50421 | S0834-45791 |
| VFM425 | F31A0-50531b | S14J0-50631 | S29L0-50431 | S0834-45811 |
| VFM450 | F31A0-50541b | S14J0-50641 | S29L0-50441 | S0834-45831 |
| VFM475 | F31A0-50551b | S14J0-50651 | S29L0-50451 | S0834-45851 |
| VFM500 | F31A0-50561b | S14J0-50661 | S29L0-50461 | S0834-45911 |
| VFM550 | F31A0-50571b | S14J0-50671 | S29L0-50471 | S0834-45971 |
| VFM600 | F31A0-50581b | S14J0-50681 | S29L0-50481 | S0834-46031 |

Fig.59 LIFT CYLINDER (FRONT) [VFSM21A]



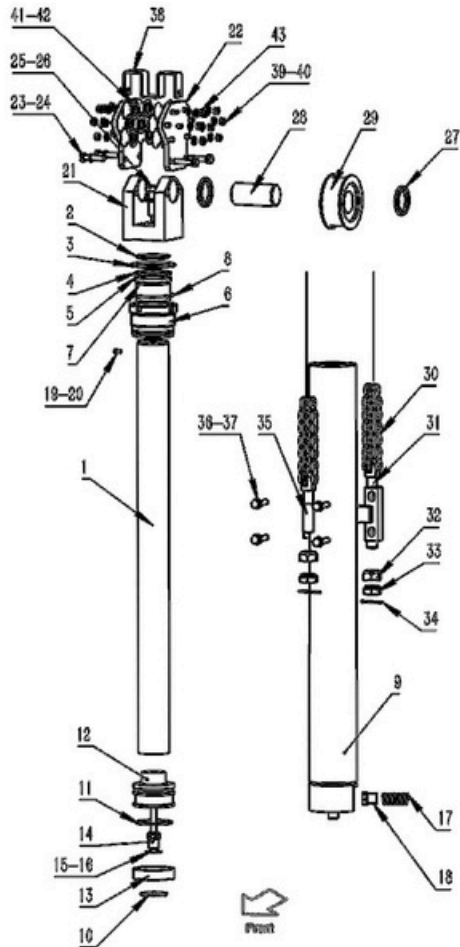
| Item No. | Part No. | Description | Req'd | Remarks:Serial No. |
|----------|----------------|------------------|-------|--------------------|
| 1 | GCQ085TU-01 | PISTON ROD | 1 | |
| 2 | AR3381G5 | RING | 1 | |
| 3 | Z6003-09003 | O-RING | 1 | |
| 4 | D50W8-52221 | BLOCK | 1 | |
| 5 | FU0810F0 | RING | 1 | |
| 6 | GCQ085DL3-02 | CAP | 1 | |
| 7 | Z2114-06535 | BEARING | 1 | |
| 8 | Z6053-07753 | O-RING | 1 | |
| 9 | F31A7-80001 | TUBE (H=VFSM435) | 1 | See OP. Parts |
| 10 | GCQ085HST-05 | RING | 1 | |
| 11 | PT03B0850-T46N | SPCO-RING | 1 | |
| 12 | HRD26Z0516A | PISON | 1 | |
| 13 | 22518-45141 | SUPPORT RING | 1 | |
| 14 | D0W00.2-00 | VALVE ASS'Y | 1 | |
| 15 | GCQ075BX-05 | BLOCK | 1 | |
| 16 | B0652-00022 | RING | 1 | |
| 17 | D01D8-42081 | SPRING | 1 | |
| 18 | 20030-48341 | SPOOL | 1 | |
| 19 | B8032-05006 | SCREW | 1 | |
| 20 | Q70B0-82141 | SPACER | 1 | |
| 21 | F31A0-81111c | PISTON HEAD | 1 | |
| 22 | F31A0-81001c | PULLEY FRAME | 1 | |
| 23 | S1106-12035 | BOLT | 1 | |
| 24 | S2010-00012 | WASHER | 1 | |
| 25 | S1100-16040 | BOLT | 1 | |
| 26 | S2010-00016 | WASHER | 1 | |
| 27 | F31A8-72041 | SNAP RING | 2 | |
| 28 | F31A8-72001b | SHAFT PIN | 1 | |
| 29 | 782309-00 | SHEAVE | 1 | |

Fig.59 LIFT CYLINDER (FRONT) [VF5M21A]



| Item No. | Part No. | Description | Req'd | Remarks:Serial No. |
|----------|-----------------|---------------------------|-------|--------------------|
| 30 | S1644-45631 | LEAF CHAIN (H=VF5M435) | 1 | See OP. Parts |
| 31 | LH1644-HR-00-15 | PIN | 1 | |
| 32 | 23818-30271 | NUT | 2 | |
| 33 | S1400-10022 | NUT | 2 | |
| 34 | S2200-32014 | PIN,cotter | 2 | |
| 35 | LH1644-HR-00-14 | PIN | 1 | |
| 36 | F31A8-72001b | BOLT | 4 | |
| 37 | S2010-00012 | WASHER | 4 | |
| 38 | F31A0-82711a | CHAIN BOARD | 1 | |
| 39 | S1400-10008 | NUT | 14 | |
| 40 | S2010-00008 | WASHER | 16 | |
| 41 | P3130-12211 | BOLT | 14 | |
| 42 | P3130-12201a | PULLEY | 14 | |
| 43 | S1106-08015 | BOLT | 2 | |

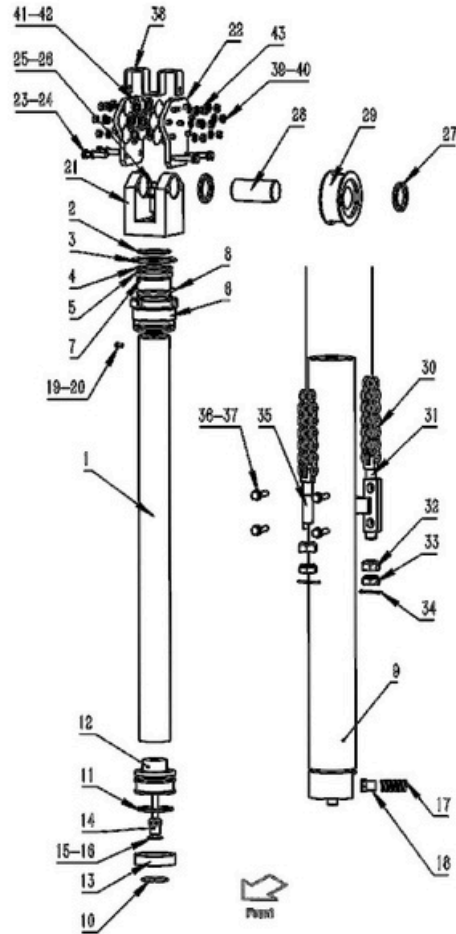
Fig.59 LIFT CYLINDER (FRONT) [VFSM21A]



<Optional Parts>

| Item No. | 9 | 30 |
|-------------|-------------|-------------|
| Lift Height | TUBE | LEAF CHAIN |
| VFSM360 | F31A7-80011 | S1644-45571 |
| VFSM400 | F31A7-80021 | S1644-45591 |
| VFSM435 | (STD) | (STD) |
| VFSM450 | F31A7-80111 | S1644-45631 |
| VFSM480 | F31A7-80031 | S1644-45651 |
| VFSM500 | F31A7-80041 | S1644-45671 |
| VFSM540 | F31A7-80051 | S1644-45691 |
| VFSM550 | F31A7-80061 | S1644-45711 |
| VFSM600 | F31A7-80071 | S1644-45751 |
| VFSM650 | F31A7-80081 | S1644-45791 |
| VFSM700 | F31A7-80091 | S1644-45831 |
| VFSM750 | F31A7-80101 | S1644-45851 |

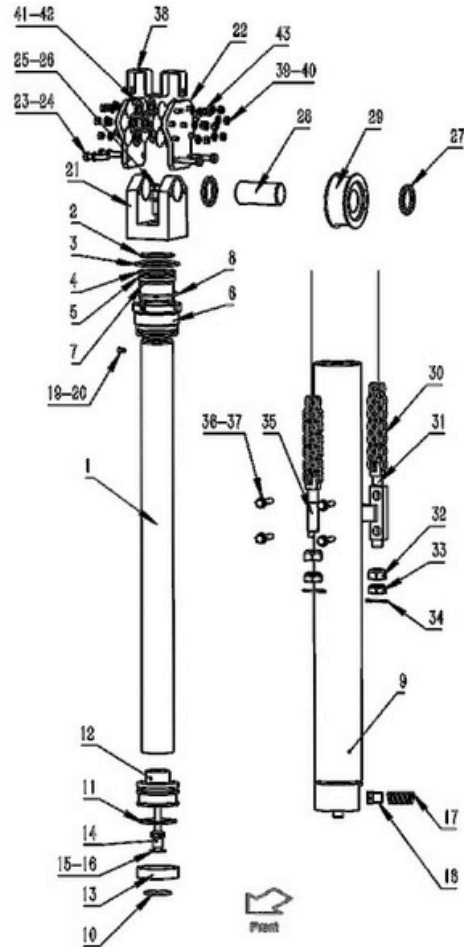
Fig.60 LIFT CYLINDER (FRONT) [VF5M31A]



| Item No. | Part No. | Description | Req'd | Remarks:Serial No. |
|----------|----------------|------------------|-------|--------------------|
| 1 | GCQ085TU-01 | PISTON ROD | 1 | |
| 2 | AR3381G5 | RING | 1 | |
| 3 | Z6003-09003 | O-RING | 1 | |
| 4 | D50W8-52221 | BLOCK | 1 | |
| 5 | FU0810F0 | RING | 1 | |
| 6 | GCQ085DL3-02 | CAP | 1 | |
| 7 | Z2114-06535 | BEARING | 1 | |
| 8 | Z6053-07753 | O-RING | 1 | |
| 9 | F31A7-80001 | TUBE (H=VF5M435) | 1 | See OP. Parts |
| 10 | GCQ085HST-05 | RING | 1 | |
| 11 | PT03B0850-T46N | SPCO-RING | 1 | |
| 12 | HRD26Z0516A | PISON | 1 | |
| 13 | 22518-45141 | SUPPORT RING | 1 | |
| 14 | D0W00.2-00 | VALVE ASS'Y | 1 | |
| 15 | GCQ075BX-05 | BLOCK | 1 | |
| 16 | B0652-00022 | RING | 1 | |
| 17 | D01D8-42081 | SPRING | 1 | |
| 18 | 20030-48341 | SPOOL | 1 | |
| 19 | B8032-05006 | SCREW | 1 | |
| 20 | Q70B0-82141 | SPACER | 1 | |
| 21 | F31A0-81111c | PISTON HEAD | 1 | |
| 22 | F31A0-81001c | PULLEY FRAME | 1 | |
| 23 | S1106-12035 | BOLT | 1 | |
| 24 | S2010-00012 | WASHER | 1 | |
| 25 | S1100-16040 | BOLT | 1 | |
| 26 | S2010-00016 | WASHER | 1 | |
| 27 | F31A8-72041 | SNAP RING | 2 | |
| 28 | F31A8-72001b | SHAFT PIN | 1 | |
| 29 | 782309-00 | SHEAVE | 1 | |

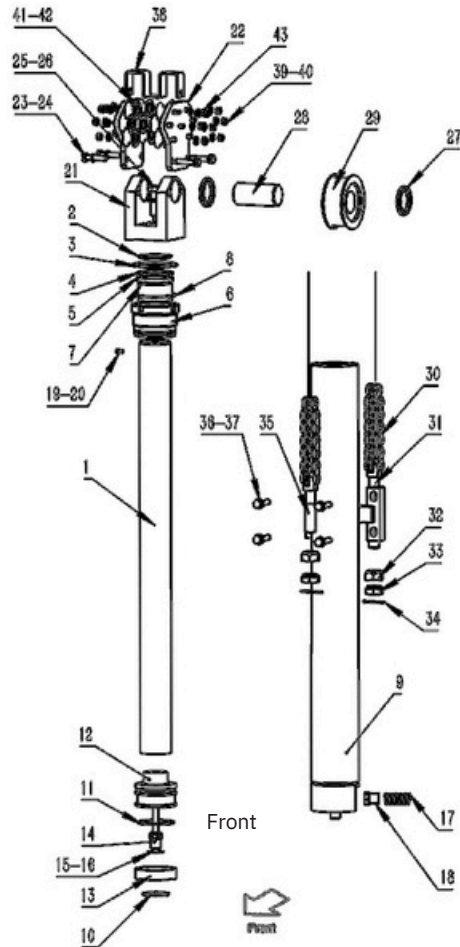
Fig.60

Fig.60 LIFT CYLINDER (FRONT) [VF5M31A]



| Item No. | Part No. | Description | Req'd | Remarks:Serial No. |
|----------|-----------------|---------------------------|-------|--------------------|
| 30 | S1644-45651 | LEAF CHAIN (H=VF5M435) | 1 | See OP. Parts |
| 31 | LH1644-HR-00-15 | PIN | 1 | |
| 32 | 23818-30271 | NUT | 2 | |
| 33 | S1400-10022 | NUT | 2 | |
| 34 | S2200-32014 | PIN,cotter | 2 | |
| 35 | LH1644-HR-00-14 | PIN | 1 | |
| 36 | S1106-12040 | BOLT | 4 | |
| 37 | S2010-00012 | WASHER | 4 | |
| 38 | F31A0-82711a | CHAIN BOARD | 1 | |
| 39 | S1400-10008 | NUT | 14 | |
| 40 | S2010-00008 | WASHER | 16 | |
| 41 | P3130-12211 | BOLT | 14 | |
| 42 | P3130-12201a | PULLEY | 14 | |
| 43 | S1106-08015 | BOLT | 2 | |

Fig.60 LIFT CYLINDER (FRONT) [VFSM31A]

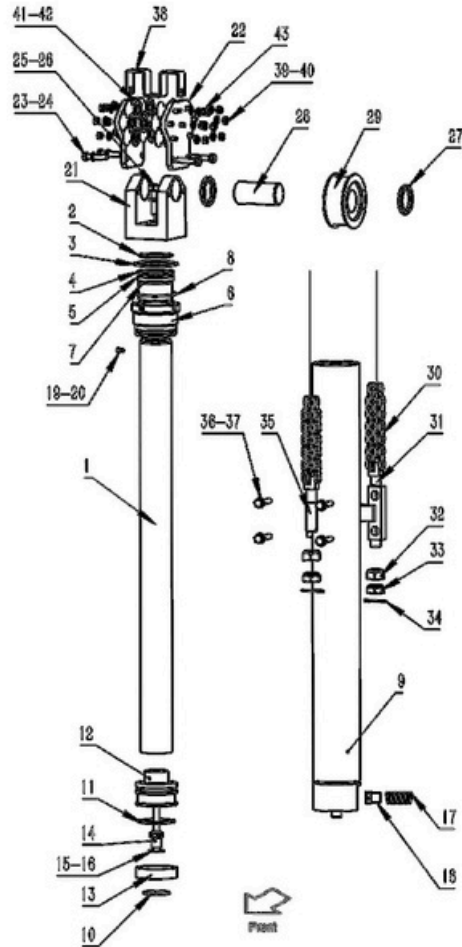


<Optional Parts>

| Item No. | 9 | 30 |
|-------------|-------------|-------------|
| Lift Height | TUBE | LEAF CHAIN |
| VFSM360 | F31A7-80011 | S1644-45591 |
| VFSM400 | F31A7-80021 | S1644-45611 |
| VFSM435 | (STD) | (STD) |
| VFSM450 | F31A7-80111 | S1644-45651 |
| VFSM480 | F31A7-80031 | S1644-45671 |
| VFSM500 | F31A7-80041 | S1644-45691 |
| VFSM540 | F31A7-80051 | S1644-45711 |
| VFSM550 | F31A7-80061 | S1644-45731 |
| VFSM600 | F31A7-80071 | S1644-45771 |
| VFSM650 | F31A7-80081 | S1644-45811 |
| VFSM700 | F31A7-80091 | S1644-45851 |
| VFSM750 | F31A7-80101 | S1644-45891 |

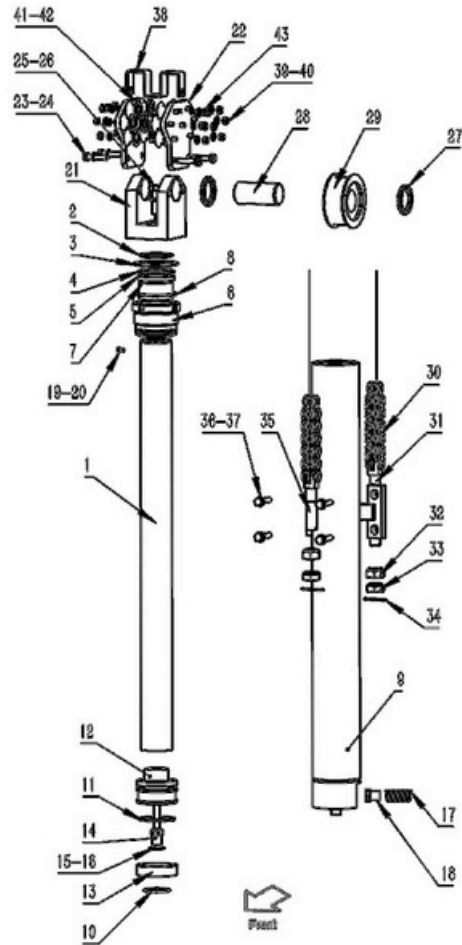
Fig.61

Fig.61 LIFT CYLINDER (FRONT) [VF5M41A]



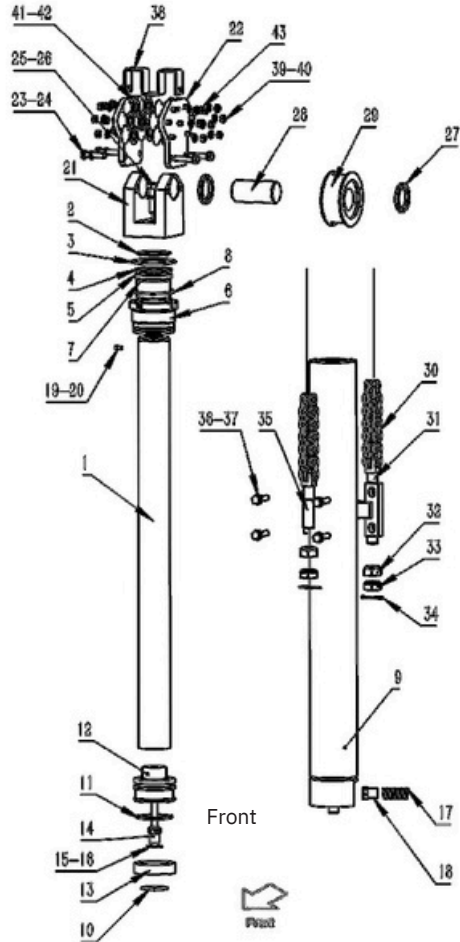
| Item No. | Part No. | Description | Req'd | Remarks:Serial No. |
|----------|----------------|------------------|-------|--------------------|
| 1 | GCQ085TU-01 | PISTON ROD | 1 | |
| 2 | AR3381G5 | RING | 1 | |
| 3 | Z6003-09003 | O-RING | 1 | |
| 4 | D50W8-52221 | BLOCK | 1 | |
| 5 | FU0810F0 | RING | 1 | |
| 6 | GCQ085DL3-02 | CAP | 1 | |
| 7 | Z2114-06535 | BEARING | 1 | |
| 8 | Z6053-07753 | O-RING | 1 | |
| 9 | F38A7-80001 | TUBE (H=VF5M435) | 1 | See OP. Parts |
| 10 | GCQ085HST-05 | RING | 1 | |
| 11 | PT03B0850-T46N | SPCO-RING | 1 | |
| 12 | HRD26Z0516A | PISON | 1 | |
| 13 | 22518-45141 | SUPPORT | 1 | |
| 14 | D0W00.2-00 | RING | 1 | |
| 15 | GCQ075BX-05 | VALVE ASS'Y | 1 | |
| 16 | B0652-00022 | BLOCK | 1 | |
| 17 | D01D8-42081 | RING | 1 | |
| 18 | 20030-48341 | SPRING | 1 | |
| 19 | B8032-05006 | SPOOL | 1 | |
| 20 | Q70B0-82141 | SCREW | 1 | |
| 21 | F38A0-81111 | SPACER | 1 | |
| 22 | F38A0-81001 | PISTON HEAD | 1 | |
| 23 | S1106-12035 | PULLEY FRAME | 1 | |
| 24 | S2010-00012 | BOLT | 1 | |
| 25 | S1100-16040 | WASHER | 1 | |
| 26 | S2010-00016 | BOLT WASHER | 1 | |
| 27 | F31A8-72041 | SNAP RING | 2 | |
| 28 | F38A8-72001 | SHAFT PIN | 1 | |
| 29 | 782414TU-00 | SHEAVE | 1 | |

Fig.61 LIFT CYLINDER (FRONT) [VF5M41A]



| Item No. | Part No. | Description | Req'd | Remarks:Serial No. |
|----------|-----------------|---------------------------|-------|--------------------|
| 30 | S1666-45691 | LEAF CHAIN (H=VF5M435) | 1 | See OP. Parts |
| 31 | LH1666-45XX1-01 | PIN | 1 | |
| 32 | 26A1748 | NUT | 2 | |
| 33 | S1400-10024 | NUT | 2 | |
| 34 | S2200-32014 | PIN,cotter | 2 | |
| 35 | LH1666-45XX1-02 | PIN | 1 | |
| 36 | S1106-12040 | BOLT | 4 | |
| 37 | S2010-00012 | WASHER | 4 | |
| 38 | F38A0-82711 | CHAIN BOARD | 1 | |
| 39 | S1400-10008 | NUT | 14 | |
| 40 | S2010-00008 | WASHER | 16 | |
| 41 | P3130-12211 | BOLT | 14 | |
| 42 | P3130-12201a | PULLEY | 14 | |
| 43 | S1106-08015 | BOLT | 2 | |

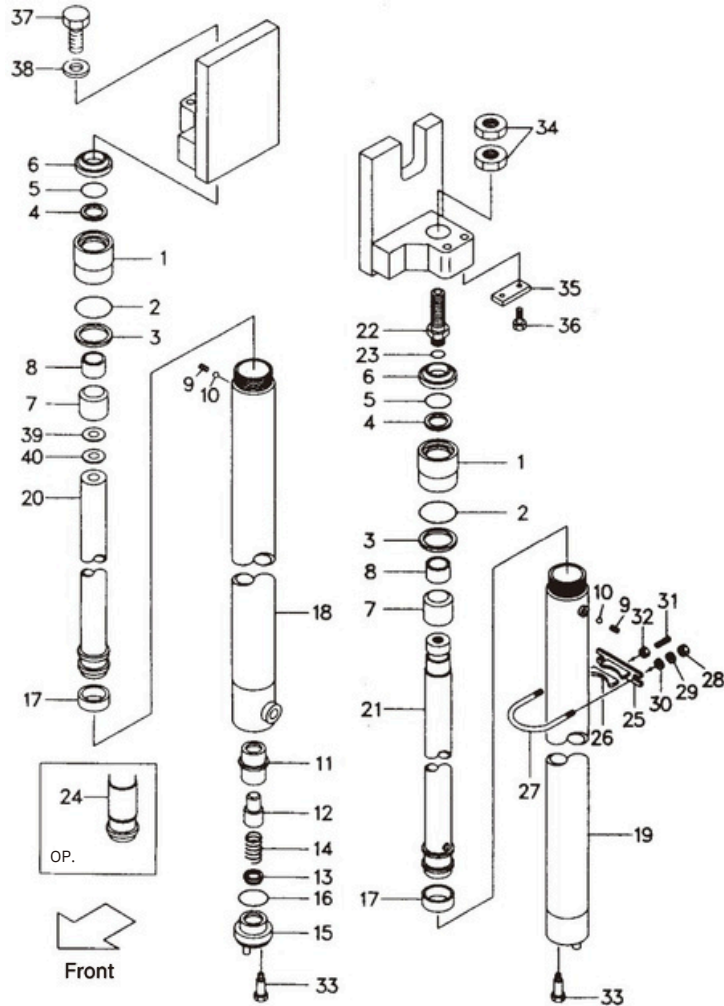
Fig.61 LIFT CYLINDER (FRONT) [VFMS41A]



<Optional Parts>

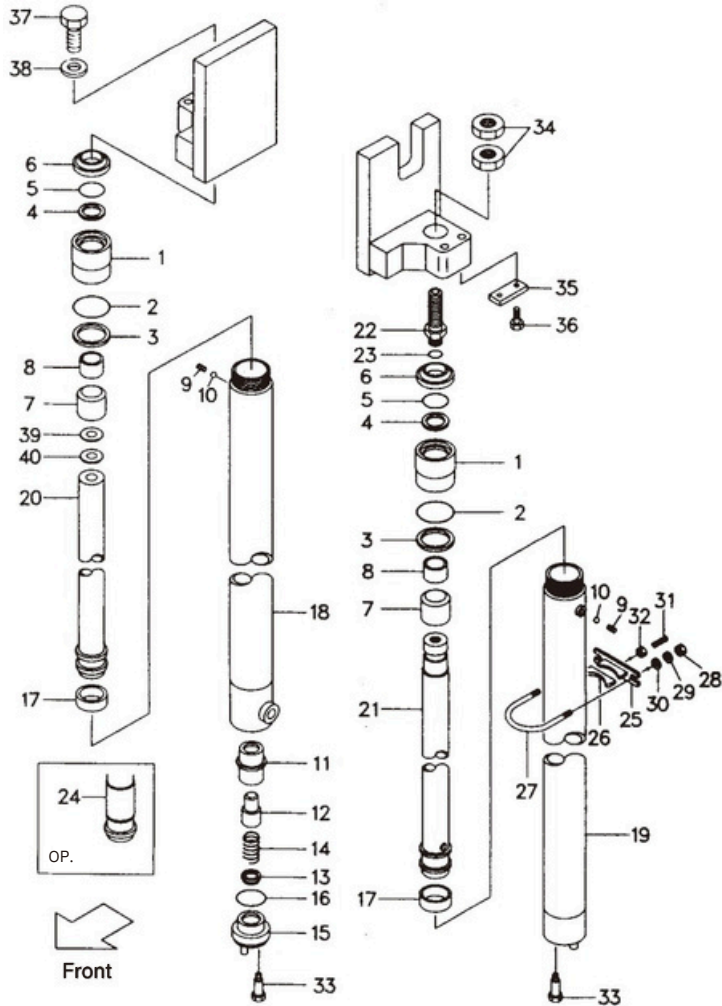
| Item No. | 9 | 30 |
|-------------|-------------|-------------|
| Lift Height | TUBE | LEAF CHAIN |
| VFMS360 | F38A7-80011 | S1666-45631 |
| VFMS400 | F38A7-80021 | S1666-45651 |
| VFMS435 | (STD) | (STD) |
| VFMS450 | F38A7-80111 | S1666-45691 |
| VFMS480 | F38A7-80031 | S1666-45711 |
| VFMS500 | F38A7-80041 | S1666-45731 |
| VFMS540 | F38A7-80051 | S1666-45751 |
| VFMS550 | F38A7-80061 | S1666-45751 |
| VFMS600 | F38A7-80071 | S1666-45791 |
| VFMS650 | F38A7-80081 | S1666-45831 |
| VFMS700 | F38A7-80091 | S1666-45871 |
| VFMS750 | F38A7-80101 | S1666-45911 |

Fig.62 LIFT CYLINDER (REAR) [VFM21A]



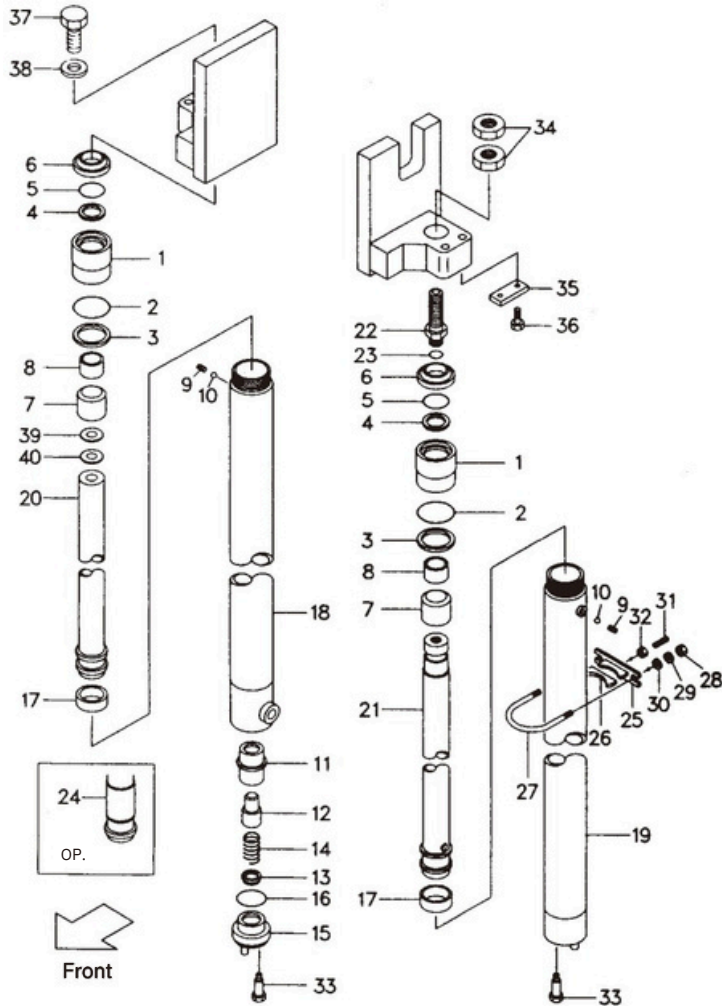
| Item No. | Part No. | Description | Req'd | | Remarks:Serial No. |
|----------|--------------|--|-------|------|--------------------|
| | | | R.H. | L.H. | |
| A | F21A0-50001 | LIFT CYLINDER R.H. ASS'Y (STD)H=VFM300 (Inc. 1-24) | 1 | | See OP. Parts |
| B | F21A0-50201a | LIFT CYLINDER L.H. ASS'Y (STD)H=VFM300 (Inc. 1-24) | | 1 | See OP. Parts |
| C | S21A0-52401 | CAP ASS'Y (Inc. 1-6) | 1 | 1 | |
| 1 | F21A0-52501 | CAP | 1 | 1 | |
| 2 | S21A0-42631 | O-RING | 1 | 1 | |
| 3 | S21A0-53681 | RING | 1 | 1 | |
| 4 | S21A0-52851 | PACKING | 1 | 1 | |
| 5 | S21A0-52861 | RING | 1 | 1 | |
| 6 | S21A0-53111 | SEAL | 1 | 1 | |
| D | S21A0-52411 | SLEEVE ASS'Y (Inc. 7, 8) | 1 | 1 | |
| 7 | S31A0-52511 | SLEEVE | 1 | 1 | |
| 8 | S21A0-52841 | BUSHING | 1 | 1 | |
| 9 | F31A0-52611 | PLUG | 1 | 1 | |
| 10 | S3190-00006 | BALL | 1 | 1 | |
| 11 | S31A0-43021 | SLEEVE | 1 | | |
| 12 | S31A0-43011 | PISTON | 1 | | |
| 13 | S31A0-43001 | CHECK | 1 | | |
| 14 | S31A0-43031 | SPRING | 1 | | |
| 15 | S31A0-43041 | PLUG | 1 | | |
| 16 | S3320-00340 | O-RING | 1 | | |
| 17 | S21A0-53321 | WEARING | 1 | 1 | |

Fig.62 LIFT CYLINDER (REAR) [VFM21A]



| Item No. | Part No. | Description | Req'd | | Remarks:Serial No. |
|----------|-------------|------------------------|-------|------|------------------------------|
| | | | R.H. | L.H. | |
| 22 | F21A0-53721 | NIPPIE | 1 | | VFM400-500=2 VFM500-600=4 |
| 23 | S3320-00180 | O-RING | | 1 | |
| 24 | F31A0-53901 | SPACER | → | | |
| E | F31A8-42171 | SUPPORT (Inc.25,26) | 1 | 1 | |
| 25 | F31A8-42181 | SUPPORT | 1 | 1 | |
| 26 | F31A8-42411 | RUBBER | 1 | 1 | |
| 27 | F31A8-42551 | U-BOLT | 1 | 1 | |
| 28 | F31A8-44561 | NUT | 2 | 2 | |
| 29 | S2010-20010 | WASHER | 2 | 2 | |
| 30 | S2000-20010 | WASHER | 2 | 2 | |
| 31 | F31A8-42241 | PLUG | 1 | 1 | |
| 32 | F31A8-44571 | NUT | 1 | 1 | |
| 33 | F31A8-42581 | BOLT | 1 | 1 | |
| 34 | F21A8-46011 | NUT | | 2 | |
| 35 | F31A8-50161 | PLATE | | 1 | |
| 36 | S1184-10020 | BOLT | | 2 | |
| 37 | S1103-14040 | BOLT | 1 | | |
| 38 | S2011-00014 | WASHER | 1 | | |
| 39 | F31A8-42191 | SHIM t=1.0 | | AR | |
| 40 | F31A8-43831 | SHIM t=0.2 | | AR | |

Fig.62 LIFT CYLINDER (REAR) [VFM21A]

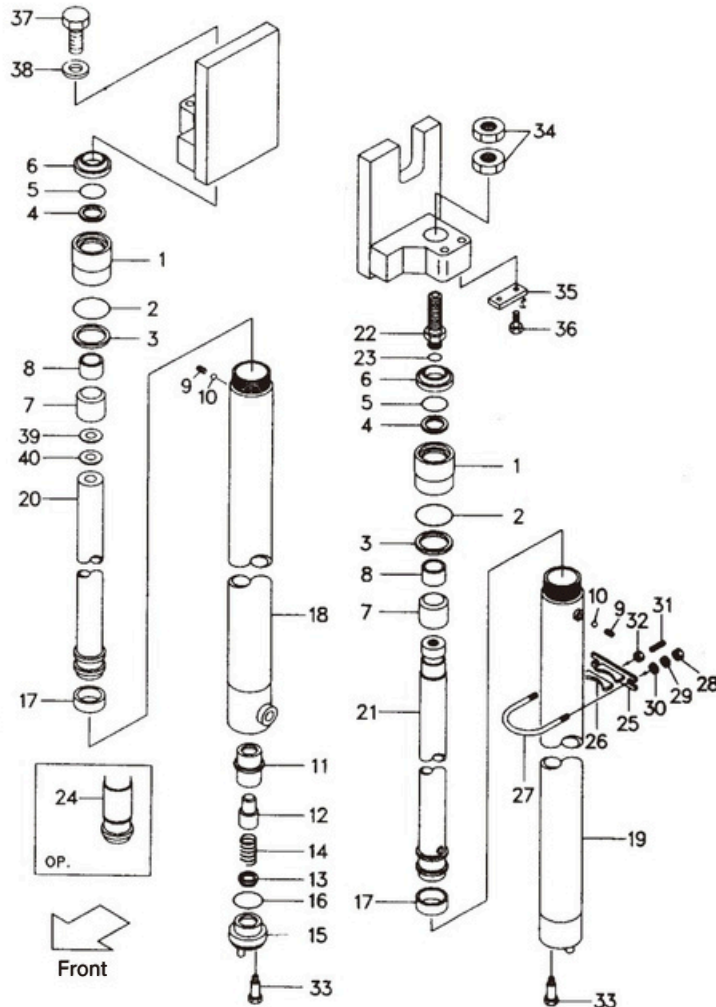


<Optional Parts>

| Item No. | A | B |
|-------------|--------------------------|--------------------------|
| Lift Height | LIFT CYLINDER R.H. ASS'Y | LIFT CYLINDER L.H. ASS'Y |
| VFM200 | F21A0-50011 | F21A0-50211a |
| VFM225 | F21A0-50021 | F21A0-50221a |
| VFM250 | F21A0-50031 | F21A0-50231a |
| VFM270 | F21A0-50041 | F21A0-50241a |
| VFM275 | F21A0-50051 | F21A0-50251a |
| VFM300 | (STD) | (STD) |
| VFM325 | F21A0-50061 | F21A0-50261a |
| VFM330 | F21A0-50071 | F21A0-50271a |
| VFM350 | F21A0-50081 | F21A0-50281a |
| VFM360 | F21A0-50091 | F21A0-50291a |
| VFM370 | F21A0-50101 | F21A0-50301a |
| VFM375 | F21A0-50111 | F21A0-50311a |
| VFM400 | F21A0-50121 | F21A0-50321a |
| VFM425 | F21A0-50131 | F21A0-50331a |
| VFM450 | F21A0-50141 | F21A0-50341a |
| VFM475 | F21A0-50151 | F21A0-50851a |
| VFM500 | F21A0-50161 | F21A0-50861a |
| VFM550 | F21A0-50171 | F21A0-50871a |
| VFM600 | F21A0-50181 | F21A0-50881a |

Fig.63

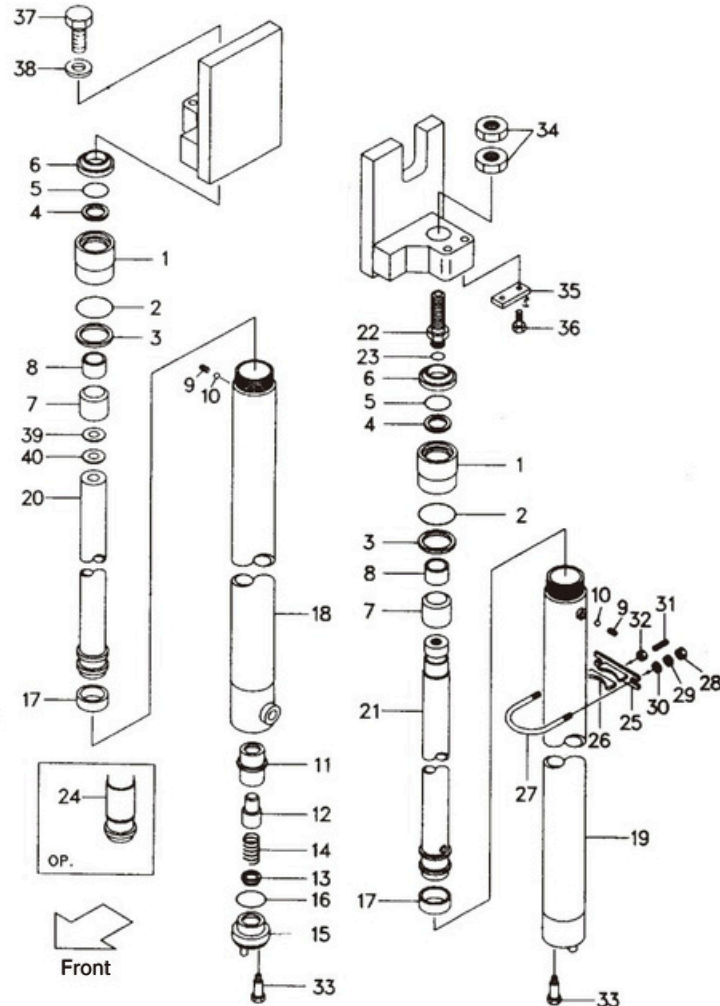
Fig.63 LIFT CYLINDER (REAR) [VFM31A]



| Item No. | Part No. | Description | Req'd | | Remarks:Serial No. |
|----------|-------------|---|-------|------|--------------------|
| | | | R.H. | L.H. | |
| A | F31A0-50001 | LIFT CYLINDER R.H. ASS'Y (STD)H=VFM300 (Inc. 1-24) | 1 | | See OP. Parts |
| B | F31A0-50201 | LIFT CYLINDER L.H. ASS'Y (STD)H=VFM300 (Inc. 1-24) | | 1 | See OP. Parts |
| C | S31A0-52401 | CAP ASS'Y (Inc. 1-6) | 1 | 1 | |
| 1 | F31A0-52501 | CAP | 1 | 1 | |
| 2 | S31A0-42571 | O-RING | 1 | 1 | |
| 3 | S31A0-53681 | RING | 1 | 1 | |
| 4 | S31A0-52161 | PACKING | 1 | 1 | |
| 5 | S31A0-52171 | RING | 1 | 1 | |
| 6 | S31A0-46011 | SEAL | 1 | 1 | |
| D | S31A0-40611 | SLEEVE ASS'Y (Inc. 7, 8) | 1 | 1 | |
| 7 | S31A0-52511 | SLEEVE | 1 | 1 | |
| 8 | S31A0-42301 | BUSHING | 1 | 1 | |
| 9 | F31A0-52611 | PLUG | 1 | 1 | |
| 10 | S3190-00006 | BALL | 1 | 1 | |
| 11 | S31A0-43021 | SLEEVE | 1 | | |
| 12 | S31A0-43011 | PISTON | 1 | | |
| 13 | S31A0-43001 | CHECK | 1 | | |
| 14 | S31A0-43031 | SPRING | 1 | | |
| 15 | S31A0-43041 | PLUG | 1 | | |
| 16 | S3320-00340 | O-RING | 1 | | |
| 17 | S31A0-53141 | WEARING | 1 | 1 | |

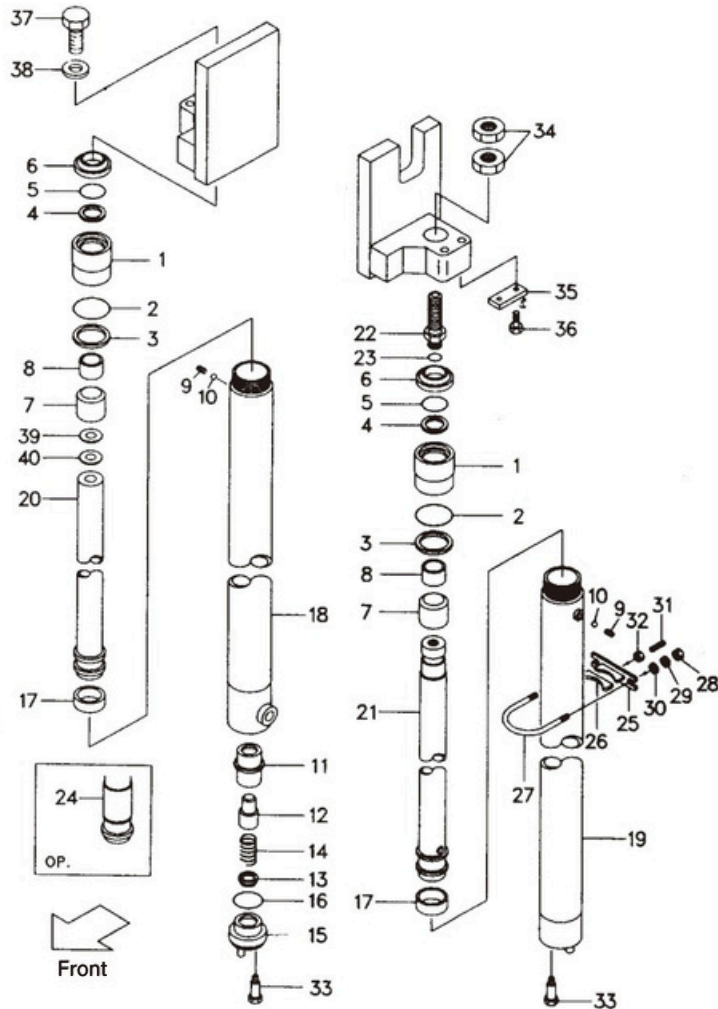
Fig.63

Fig.63 LIFT CYLINDER (REAR) [VFM31A]



| Item No. | Part No. | Description | Req'd | | Remarks:Serial No. |
|----------|-------------|--------------------------|-------|------|------------------------------|
| | | | R.H. | L.H. | |
| 22 | F31A0-51701 | NIPPE | 1 | | See OP. Parts |
| 23 | S3320-00180 | O-RING SPACER | | 1 | |
| 24 | F31A0-53901 | SUPPORT ASS'Y | → | | VFM400-500=2 VFM500-600=4 |
| E | F31A8-42171 | (Inc. 25, 26) SUPPORT | 1 | 1 | |
| 25 | F31A8-42181 | RUBBER | 1 | 1 | |
| 26 | F31A8-42411 | U-BOLT | 1 | 1 | |
| 27 | F31A8-42551 | NUT | 1 | 1 | |
| 28 | F31A8-44561 | WASHER | 2 | 2 | |
| 29 | S2010-20010 | WASHER | 2 | 2 | |
| 30 | S2000-20010 | PLUG | 2 | 2 | |
| 31 | F31A8-42241 | NUT | 1 | 1 | |
| 32 | F31A8-44571 | BOLT | 1 | 1 | |
| 33 | F31A8-42581 | NUT | 1 | 1 | |
| 34 | F31A8-46011 | PLATE | | 2 | |
| 35 | F31A8-40161 | BOLT | | 1 | |
| 36 | S1184-10020 | BOLT | | 2 | |
| 37 | S1103-14040 | WASHER | 1 | | |
| 38 | S2011-00014 | SHIM t=1.0 SHIM | 1 | | |
| 39 | F31A8-42171 | t=0.2 | | AR | |
| 40 | F31A8-43831 | | | AR | |

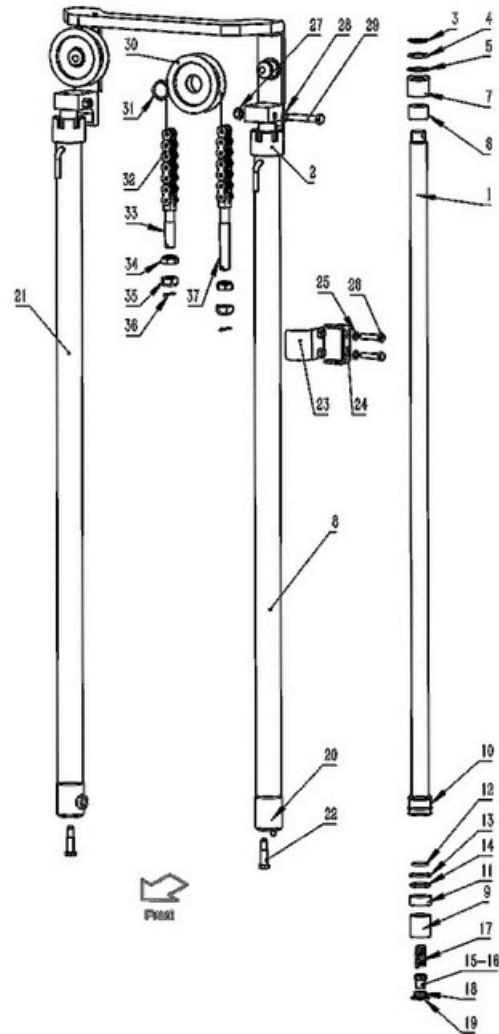
Fig.63 LIFT CYLINDER (REAR) [VFM31A]



<Optional Parts>

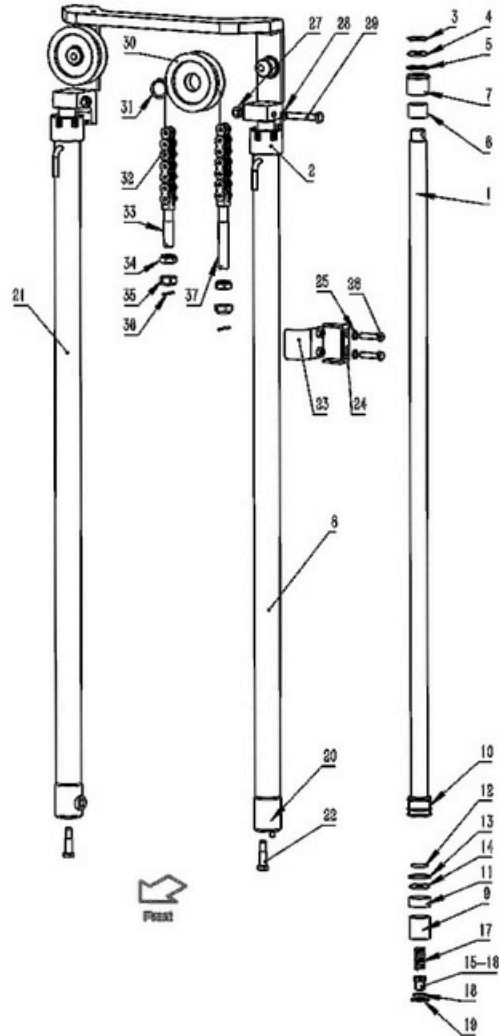
| Item No. | A | B |
|-------------|--------------------------|--------------------------|
| Lift Height | LIFT CYLINDER R.H. ASS'Y | LIFT CYLINDER L.H. ASS'Y |
| VFM200 | F31A0-50011 | F31A0-50211a |
| VFM225 | F31A0-50021 | F31A0-50221a |
| VFM250 | F31A0-50031 | F31A0-50231a |
| VFM270 | F31A0-50041 | F31A0-50241a |
| VFM275 | F31A0-50051 | F31A0-50251a |
| VFM300 | (STD) | (STD) |
| VFM325 | F31A0-50061 | F31A0-50261a |
| VFM330 | F31A0-50071 | F31A0-50271a |
| VFM350 | F31A0-50081 | F31A0-50281a |
| VFM360 | F31A0-50091 | F31A0-50291a |
| VFM370 | F31A0-50101 | F31A0-50301a |
| VFM375 | F31A0-50111 | F31A0-50311a |
| VFM400 | F31A0-50121 | F31A0-50321a |
| VFM425 | F31A0-50131 | F31A0-50331a |
| VFM450 | F31A0-50141 | F31A0-50341a |
| VFM475 | F31A0-50151 | F31A0-50351a |
| VFM500 | F31A0-50161 | F31A0-50361a |
| VFM550 | F31A0-50171 | F31A0-50371a |
| VFM600 | F31A0-50181 | F31A0-50381a |

Fig.64 LIFT CYLINDER (REAR) [VFSM21A]



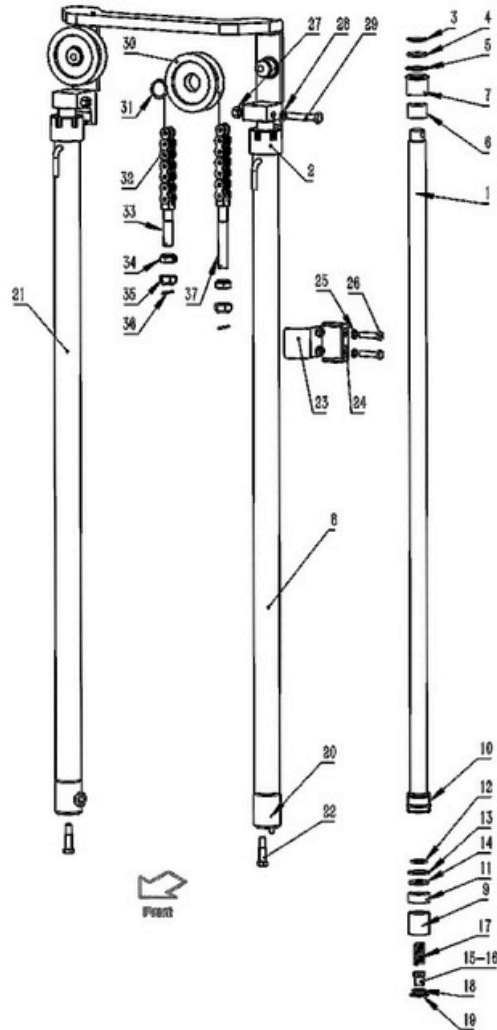
| Item No. | Part No. | Description | Req'd | Remarks:Serial No. |
|----------|-------------|----------------------------|-------|--------------------|
| 1 | REF104040 | PISTON ROD | 2 | |
| 2 | 234A8-42501 | CAP | 2 | |
| 3 | 23650-83581 | RING | 2 | |
| 4 | 23650-83582 | U-RING | 2 | |
| 5 | 214A8-42571 | O-RING | 2 | |
| 6 | Z2113-04030 | BEARING | 2 | |
| 7 | 234A8-42511 | BUSHING | 2 | |
| 8 | F21A0-81703 | TUBE R.H (STD)H=VFHM435 | 1 | See OP. Parts |
| 9 | 23650-83561 | SLEEVE | 2 | |
| 10 | D20B8-42371 | PISON | 2 | |
| 11 | 27970-53141 | RING | 2 | |
| 12 | D20B8-42381 | RING | 2 | |
| 13 | REF340216 | BLOCK | 2 | |
| 14 | 23650-83521 | U-RING | 2 | |
| 15 | H22N0-87041 | VALVE BUSH | 1 | |
| 16 | H22N0-87051 | SPOOL | 1 | |
| 17 | REF339431 | SPRING | 1 | |
| 18 | H22N0-87061 | SPRING SEAT | 1 | |
| 19 | Z6004-04003 | O-RING | 1 | |
| 20 | 53658-43041 | BASE | 1 | |
| 21 | F21A0-81903 | TUBE L.H (STD)H=VFHM435 | 1 | See OP. Parts |
| 22 | F31A8-42581 | BOLT | 2 | |
| 23 | F21A7-42561 | DEAD PLATE | 2 | |
| 24 | F21A7-42551 | DEAD PLATE ASS'Y | 2 | |
| 25 | S2010-00012 | WASHER | 4 | |
| 26 | S1106-12050 | BOLT | 4 | |

Fig.64 LIFT CYLINDER (REAR) [VFSM21A]



| Item No. | Part No. | Description | Req'd | Remarks:Serial No. |
|----------|-------------|------------------------------|-------|--------------------|
| 27 | F31A8-42551 | NUT | 2 | |
| 28 | F31A8-44561 | WASHER | 2 | |
| 29 | S2010-20010 | BOLT | 2 | |
| 30 | S2000-20010 | SEAVE | 2 | |
| 31 | F31A8-42241 | SNAP RING | 2 | |
| 32 | S0634-45971 | LEAF CHAIN (STD)H=VFHM435 | 2 | See OP. Parts |
| 33 | F21A8-45001 | PIN | 2 | |
| 34 | F31A8-44581 | NUT | 2 | |
| 35 | S1400-00018 | NUT | 2 | |
| 36 | S2200-03040 | PIN,cotter | 2 | |
| 37 | F21A8-45011 | PIN | 2 | |

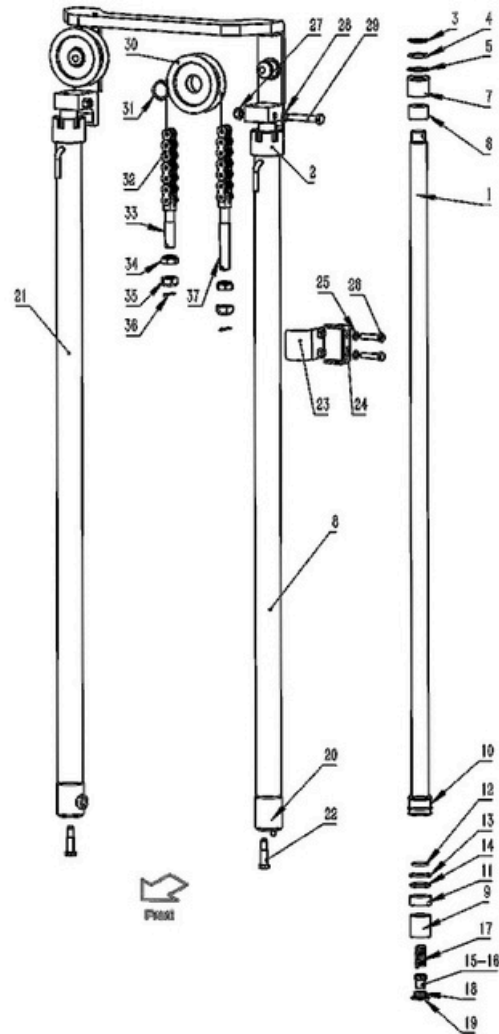
Fig.64 LIFT CYLINDER (REAR) [VFSM21A]



<Optional Parts>

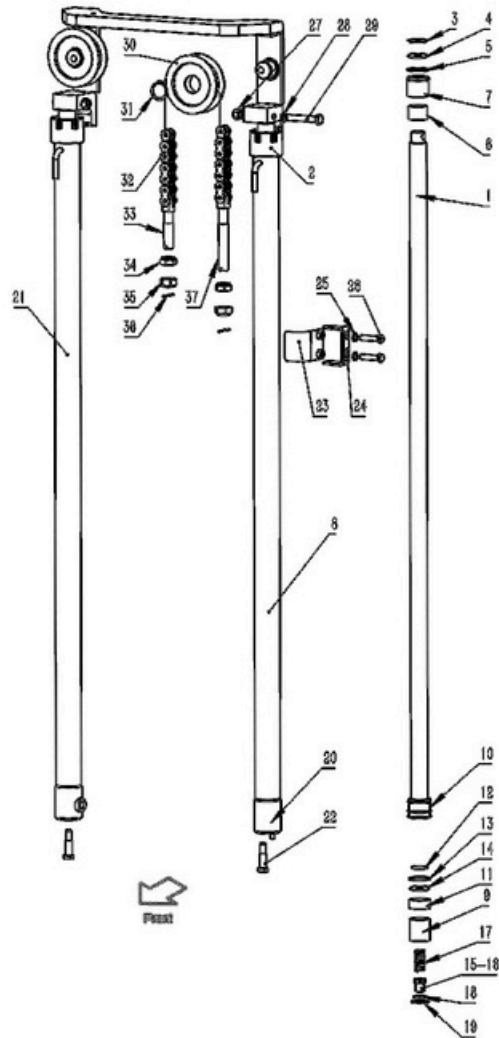
| Item No. | 8 | 21 | 32 |
|-------------|-------------|-------------|-------------|
| Lift Height | TUBE R.H | TUBE L.H | LEAF CHAIN |
| VFSM360 | F21A0-81713 | F21A0-81913 | S0634-45831 |
| VFSM400 | F21A0-81723 | F21A0-81923 | S0634-45891 |
| VFSM435 | (STD) | (STD) | (STD) |
| VFSM480 | F21A0-81733 | F21A0-81933 | S0634-46031 |
| VFSM500 | F21A0-81743 | F21A0-81943 | S0634-46091 |
| VFSM540 | F21A0-81753 | F21A0-81953 | S0634-46151 |
| VFSM550 | F21A0-81763 | F21A0-81963 | S0634-46171 |
| VFSM600 | F21A0-81773 | F21A0-81973 | S0634-46271 |
| VFSM650 | F21A0-81783 | F21A0-81983 | S0634-46391 |
| VFSM700 | F21A0-81793 | F21A0-81993 | S0634-46511 |
| VFSM750 | F21A0-81803 | F21A0-82003 | S0634-46591 |

Fig.65 LIFT CYLINDER (REAR) [VFSM31A]



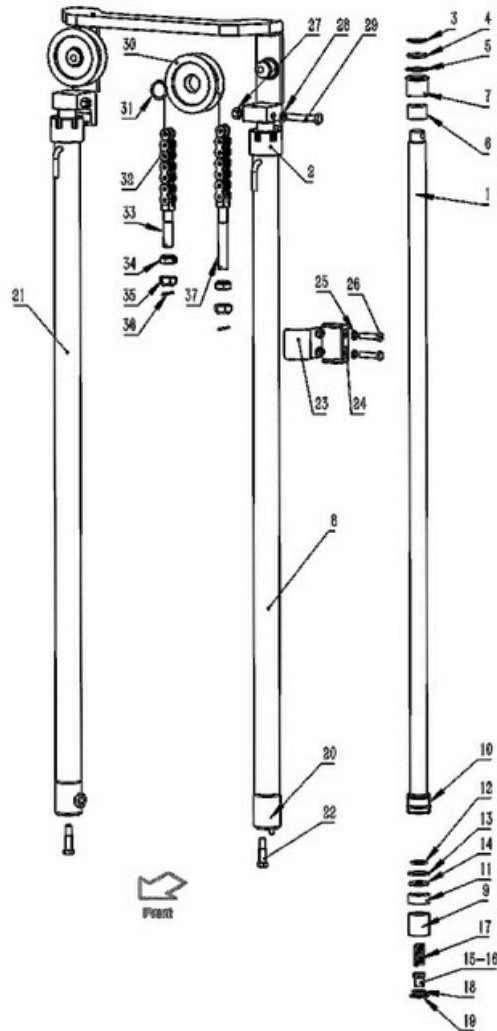
| Item No. | Part No. | Description | Req'd | Remarks:Serial No. |
|----------|---------------|----------------------------|-------|--------------------|
| 1 | GCQ056TU4-01 | PISTON ROD | 2 | |
| 2 | 30CD710000-01 | CAP | 2 | |
| 3 | 24459-42271 | RING | 2 | |
| 4 | D28B8-42611 | U-RING | 2 | |
| 5 | Z6003-06803 | O-RING | 2 | |
| 6 | Z2113-04030 | BEARING | 2 | |
| 7 | H26A8-42011 | BUSHING | 1 | |
| 8 | F31A0-81603b | TUBE R.H (STD)H=VFHM435 | 2 | See OP. Parts |
| 9 | GCQ060TU2-04 | SLEEVE | 2 | |
| 10 | D20B8-42371 | PISON | 2 | |
| 11 | 27970-53141 | RING | 2 | |
| 12 | D20B8-42381 | RING | 2 | |
| 13 | 24459-42291 | BLOCK | 2 | |
| 14 | 23650-83521 | U-RING | 1 | |
| 15 | H22N0-87041 | VALVE BUSH | 1 | |
| 16 | H22N0-87051 | SPOOL | 1 | |
| 17 | 53658-43031 | SPRING | 1 | |
| 18 | H22N0-87061 | SPRING SEAT | 1 | |
| 19 | Z6004-04004 | O-RING | 1 | |
| 20 | H22N0-87071 | BASE | 1 | |
| 21 | F31A0-81803b | TUBE L.H (STD)H=VFHM435 | 1 | See OP. Parts |
| 22 | F31A8-42581 | BOLT | 2 | |
| 23 | F21A7-42561 | DEAD PLATE | 2 | |
| 24 | F21A7-42551 | DEAD PLATE | 2 | |
| 25 | S2010-00012 | ASS'Y WASHER | 4 | |
| 26 | S1106-12050 | BOLT | 4 | |
| 27 | S1400-10014 | NUT | 2 | |

Fig.65 LIFT CYLINDER (REAR) [VFSM31A]



| Item No. | Part No. | Description | Req'd | Remarks:Serial No. |
|----------|-------------|------------------------------|-------|--------------------|
| 28 | S2010-00014 | WASHER | 2 | See OP. Parts |
| 29 | S1106-14080 | BOLT | 2 | |
| 30 | F31A8-43501 | SEAVE | 2 | |
| 31 | S2100-00040 | SNAP RING | 2 | |
| 32 | S0823-45751 | LEAF CHAIN (STD)H=VFHM435 | 2 | |
| 33 | F31A8-45001 | PIN | 2 | |
| 34 | F31A8-44581 | NUT | 2 | |
| 35 | S1400-00018 | NUT | 2 | |
| 36 | S2200-03040 | PIN,cotter | 2 | |
| 37 | F31A8-45011 | PIN | 2 | |

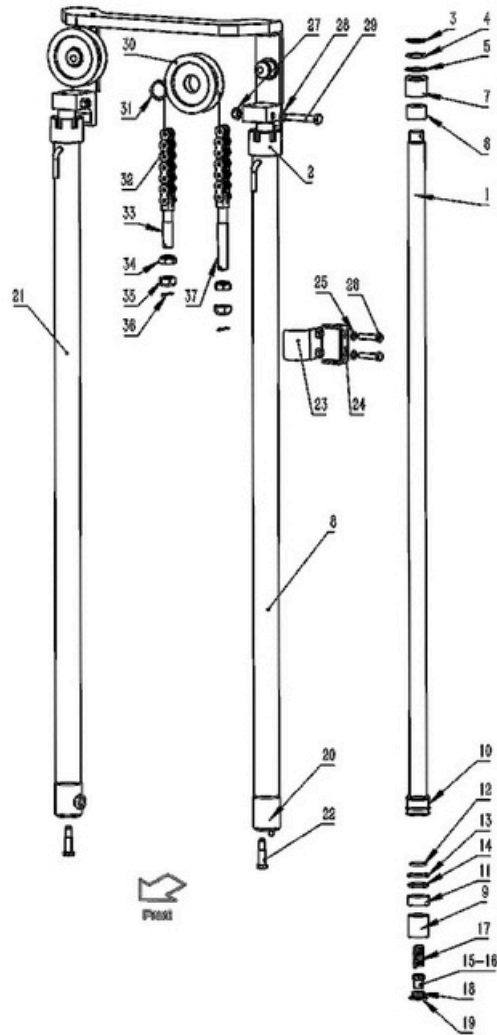
Fig.65 LIFT CYLINDER (REAR) [VFSM31A]



<Optional Parts>

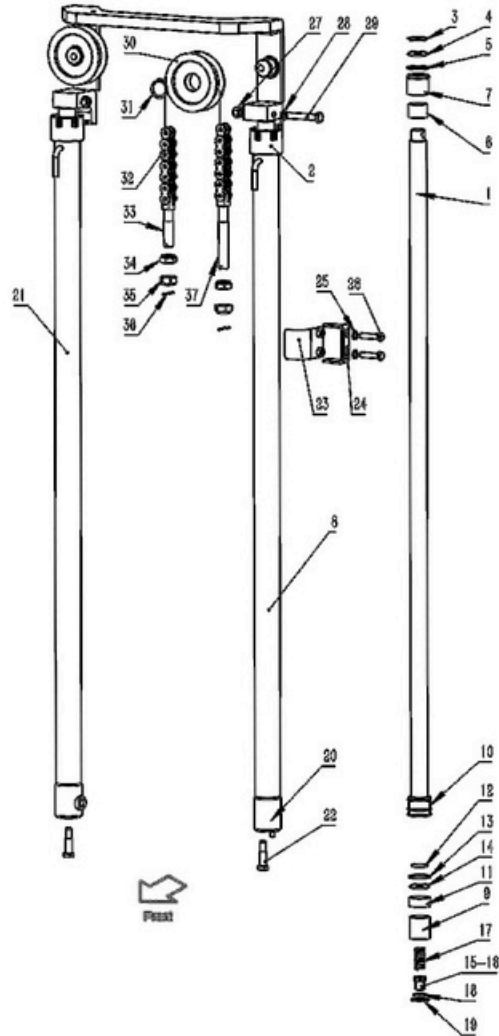
| Item No. | 8 | 21 | 32 |
|-------------|--------------|--------------|-------------|
| Lift Height | TUBE R.H | TUBE L.H | LEAF CHAIN |
| VFSM360 | F31A0-81613b | F31A0-81813b | S0823-45671 |
| VFSM400 | F31A0-81623b | F31A0-81823b | S0823-45711 |
| VFSM435 | (STD) | (STD) | (STD) |
| VFSM480 | F31A0-81633b | F31A0-81833b | S0823-45811 |
| VFSM500 | F31A0-81643b | F31A0-81843b | S0823-45851 |
| VFSM540 | F31A0-81653b | F31A0-81853b | S0823-45911 |
| VFSM550 | F31A0-81663b | F31A0-81863b | S0823-45931 |
| VFSM600 | F31A0-81673b | F31A0-81873b | S0823-45991 |
| VFSM650 | F31A0-81683b | F31A0-81883b | S0823-46071 |
| VFSM700 | F31A0-81693b | F31A0-81893b | S0823-46171 |
| VFSM750 | F31A0-81703b | F31A0-81903b | S0823-46231 |

Fig.66 LIFT CYLINDER (REAR) [VF5M41A]



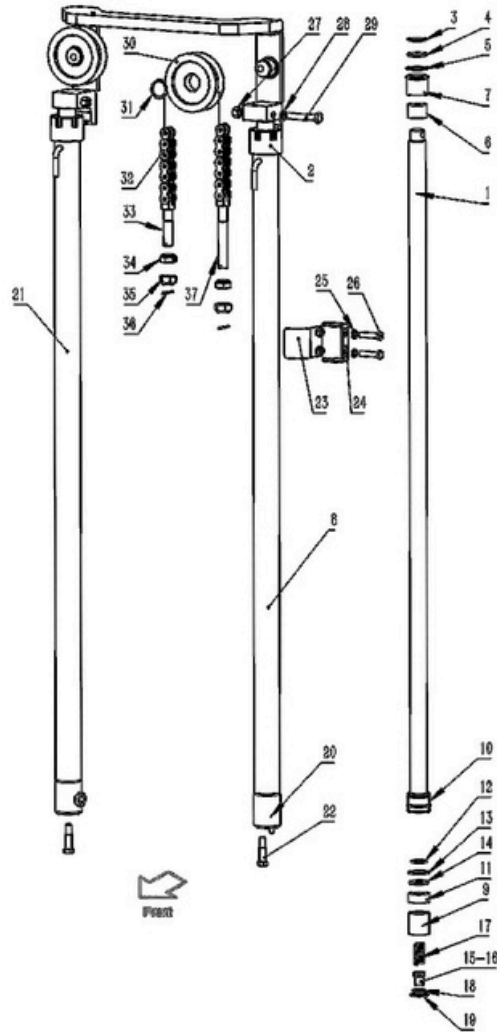
| Item No. | Part No. | Description | Req'd | Remarks:Serial No. |
|----------|---------------|----------------------------|-------|--------------------|
| 1 | GCQ056TU4-01 | PISTON ROD | 2 | |
| 2 | 30CD710000-01 | CAP | 2 | |
| 3 | 24459-42271 | RING | 2 | |
| 4 | D28B8-42611 | U-RING | 2 | |
| 5 | Z6003-06803 | O-RING | 2 | |
| 6 | Z2113-04030 | BEARING | 2 | |
| 7 | H26A8-42011 | BUSHING | 1 | |
| 8 | F38A0-81603 | TUBE R.H (STD)H=VFHM435 | 2 | See OP. Parts |
| 9 | GCQ060TU2-04 | SLEEVE | 2 | |
| 10 | D20B8-42371 | PISON | 2 | |
| 11 | 27970-53141 | RING | 2 | |
| 12 | D20B8-42381 | RING | 2 | |
| 13 | 24459-42291 | BLOCK | 2 | |
| 14 | 23650-83521 | U-RING | 1 | |
| 15 | H22N0-87041 | VALVE BUSH | 1 | |
| 16 | H22N0-87051 | SPOOL | 1 | |
| 17 | 53658-43031 | SPRING | 1 | |
| 18 | H22N0-87061 | SPRING SEAT | 1 | |
| 19 | Z6004-04004 | O-RING | 1 | |
| 20 | H22N0-8707 | BASE | 1 | |
| 21 | F38A0-81803 | TUBE L.H (STD)H=VFHM435 | 1 | See OP. Parts |
| 22 | F31A8-42581 | BOLT | 2 | |
| 23 | F21A7-42561 | DEAD PLATE | 2 | |
| 24 | F21A7-42551 | DEAD PLATE | 2 | |
| 25 | S2010-00012 | ASS'Y WASHER | 4 | |
| 26 | S1106-12050 | BOLT | 4 | |
| 27 | S1400-10014 | NIJT | 2 | |

Fig.66 LIFT CYLINDER (REAR) [VF5M41A]



| Item No. | Part No. | Description | Req'd | Remarks:Serial No. |
|----------|-------------|------------------------------|-------|--------------------|
| 28 | S2010-00014 | WASHER | 2 | See OP. Parts |
| 29 | S1106-14080 | BOLT | 2 | |
| 30 | F31A8-43501 | SEAVE | 2 | |
| 31 | S2100-00040 | SNAP RING | 2 | |
| 32 | S0834-45751 | LEAF CHAIN (STD)H=VFHM435 | 2 | |
| 33 | F31A8-45001 | PIN | 2 | |
| 34 | F31A8-44581 | NUT | 2 | |
| 35 | S1400-00018 | NUT | 2 | |
| 36 | S2200-03040 | PIN,cotter | 2 | |
| 37 | F31A8-45011 | PIN | 2 | |

Fig.66 LIFT CYLINDER (REAR) [VFSM41A]

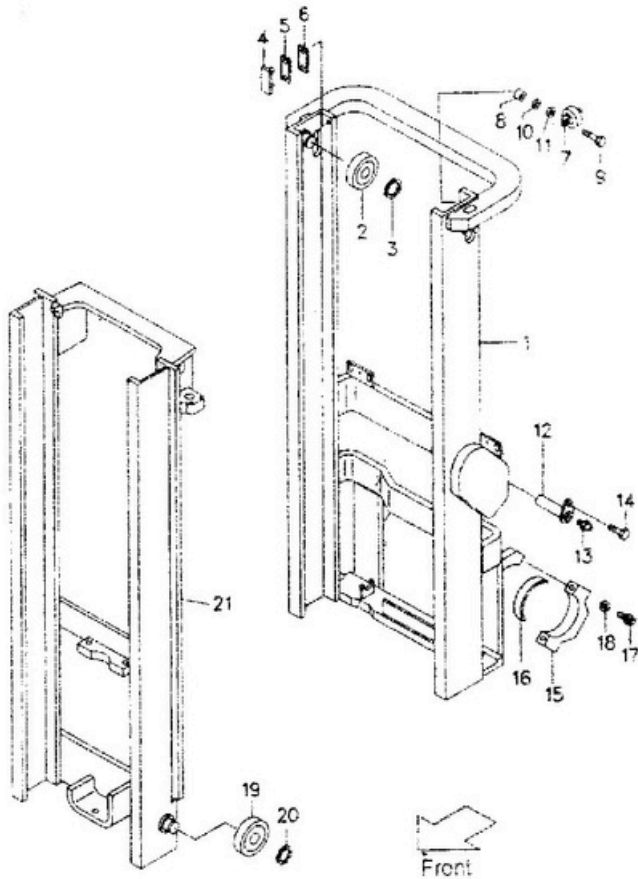


<Optional Parts>

| Item No. | 8 | 21 | 32 |
|-------------|-------------|-------------|-------------|
| Lift Height | TUBE R.H | TUBE L.H | LEAF CHAIN |
| VFSM360 | F38A0-81623 | F38A0-81823 | S0834-45671 |
| VFSM400 | F38A0-81633 | F38A0-81833 | S0834-45711 |
| VFSM435 | (STD) | (STD) | (STD) |
| VFSM480 | F38A0-81643 | F38A0-81843 | S0834-45811 |
| VFSM500 | F38A0-81653 | F38A0-81853 | S0834-45851 |
| VFSM540 | F38A0-81663 | F38A0-81863 | S0834-45911 |
| VFSM550 | F38A0-81673 | F38A0-81873 | S0834-45931 |
| VFSM600 | F38A0-81683 | F38A0-81883 | S0834-45991 |
| VFSM650 | F38A0-81693 | F38A0-81893 | S0834-46071 |
| VFSM700 | F38A0-81703 | F38A0-81903 | S0834-46171 |
| VFSM750 | F38A0-81713 | F38A0-81913 | S0834-46231 |

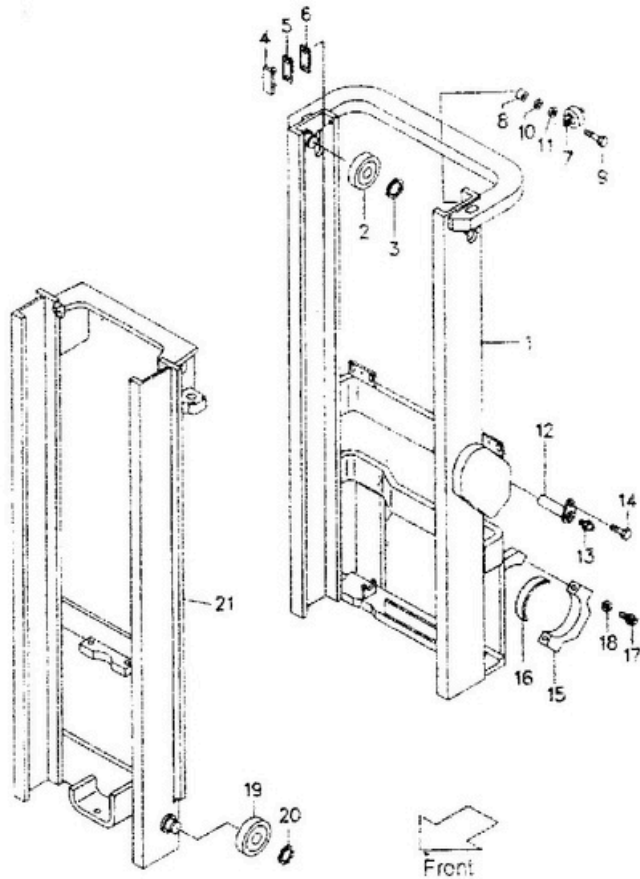
Fig.67

Fig.67 MAST VFM21A



| Item No. | Part No. | Description | Req'd | Remarks:Serial No. |
|----------|--------------|------------------------------|-------|--------------------|
| 1 | F21A0-40002a | OUTER MAST (STD)H=VFM300 | 1 | |
| 2 | F31A8-42051 | END ROLLER | 2 | |
| 3 | S2100-00045 | SNAP RING | 2 | |
| 4 | F21A8-22101 | SLIPPER | 2 | |
| 5 | F21A8-22041 | SHIM t=0.5 | AR | |
| 6 | F21A8-22051 | SHIM t=1.0 | AR | |
| 7 | F31A8-42061 | SIDE ROLLER | 2 | |
| 8 | F21A8-22091 | SPACE | 2 | |
| 9 | S1106-12050 | BOLT | 2 | |
| 10 | F21A8-22081 | SHIM | AR | |
| 11 | F21A8-22061 | SHIM | AR | |
| 12 | F31A8-52201 | PIN | 2 | |
| 13 | S4901-00100 | FITTING | 2 | |
| 14 | S1184-10020 | BOLT | 2 | |
| 15 | F31A8-40101 | CAP | 2 | |
| 16 | F31A8-40201 | BUSHING | 2 | |
| 17 | S1106-16065 | BOLT | 4 | |
| 18 | S2011-00016 | WASHER | 4 | |
| 19 | F31A8-42051 | END ROLLER | 2 | |
| 20 | S2100-00045 | SNAP RING | 2 | |
| 21 | F21A0-40201 | INNER MAST (STD) H=VFM300 | 1 | |

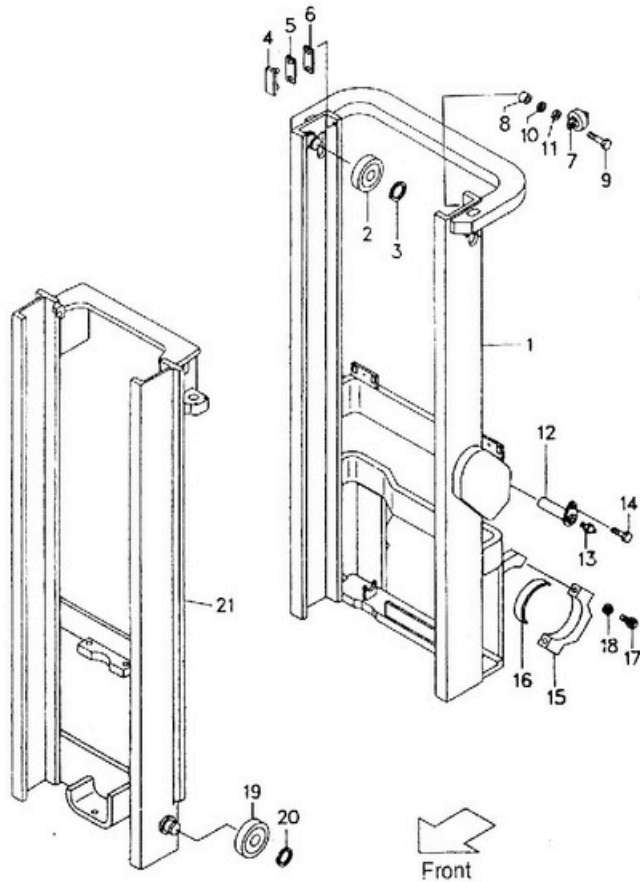
Fig.67 MAST VFM21A



<Optional Parts>

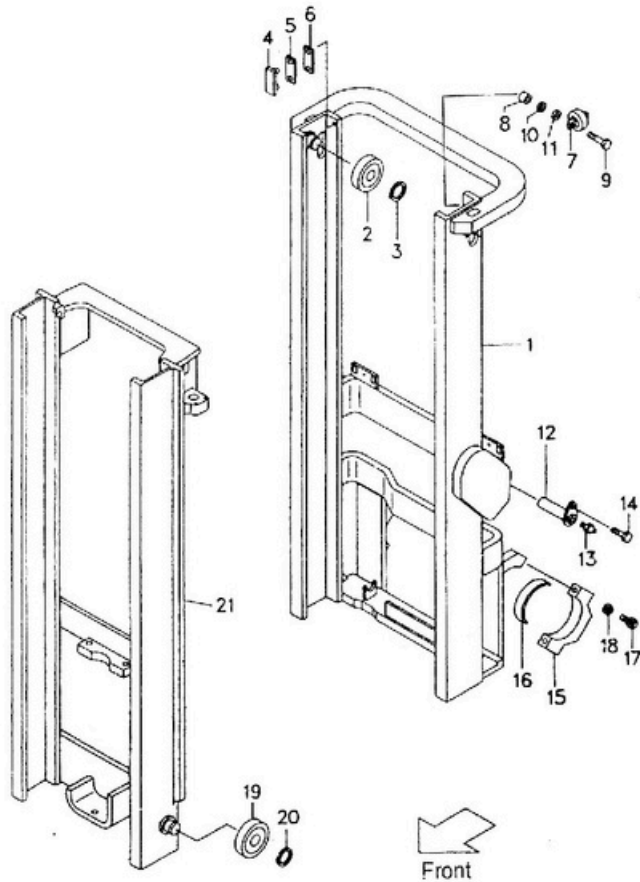
| Item No. | 1 | 21 |
|-------------|--------------|-------------|
| Lift Height | OUTER MAST | INNER MAST |
| VFM200 | F21A0-40011a | F21A0-40211 |
| VFM225 | F21A0-40021a | F21A0-40221 |
| VFM250 | F21A0-40031a | F21A0-40231 |
| VFM270 | F21A0-40041a | F21A0-40241 |
| VFM275 | F21A0-40051a | F21A0-40251 |
| VFM300 | (STD) | (STD) |
| VFM325 | F21A0-40061a | F21A0-40261 |
| VFM330 | F21A0-40071a | F21A0-40271 |
| VFM350 | F21A0-40081a | F21A0-40281 |
| VFM370 | F21A0-40091a | F21A0-40291 |
| VFM375 | F21A0-40111a | F21A0-40311 |
| VFM400 | F21A0-40121a | F21A0-40321 |
| VFM425 | F21A0-40131a | F21A0-40341 |
| VFM450 | F21A0-40141a | F21A0-40351 |
| VFM475 | F21A0-40151a | F21A0-40361 |
| VFM500 | F21A0-40161a | F21A0-40371 |
| VFM550 | F21A0-40171a | F21A0-40381 |
| VFM600 | F21A0-40181a | F21A0-40391 |

Fig.68 MAST VFM31A



| Item No. | Part No. | Description | Req'd | Remarks:Serial No. |
|----------|--------------|------------------------------|-------|--------------------|
| 1 | F31A0-40001a | OUTER MAST (STD)H=VFM300 | 1 | |
| 2 | F31A8-42051 | END ROLLER | 2 | |
| 3 | S2100-00045 | SNAP RING | 2 | |
| 4 | F21A8-22101 | SLIPPER | 2 | |
| 5 | F21A8-22041 | SHIM t=0.5 | AR | |
| 6 | F21A8-22051 | SHIM t=1.0 | AR | |
| 7 | F31A8-42061 | SIDE ROLLER | 2 | |
| 8 | F21A8-22091 | SPACE | 2 | |
| 9 | S1106-12050 | BOLT | 2 | |
| 10 | F21A8-22081 | SHIM | AR | |
| 11 | F21A8-22061 | SHIM | AR | |
| 12 | F31A8-52201 | PIN | 2 | |
| 13 | S4901-00100 | FITTING | 2 | |
| 14 | S1184-10020 | BOLT | 2 | |
| 15 | F31A8-40101 | CAP | 2 | |
| 16 | F31A8-40201 | BUSHING | 2 | |
| 17 | S1106-16065 | BOLT | 4 | |
| 18 | S2011-00016 | WASHER | 4 | |
| 19 | F31A8-42051 | END ROLLER | 2 | |
| 20 | S2100-00045 | SNAP RING | 2 | |
| 21 | F31A0-40201 | INNER MAST (STD) H=VFM300 | 1 | |

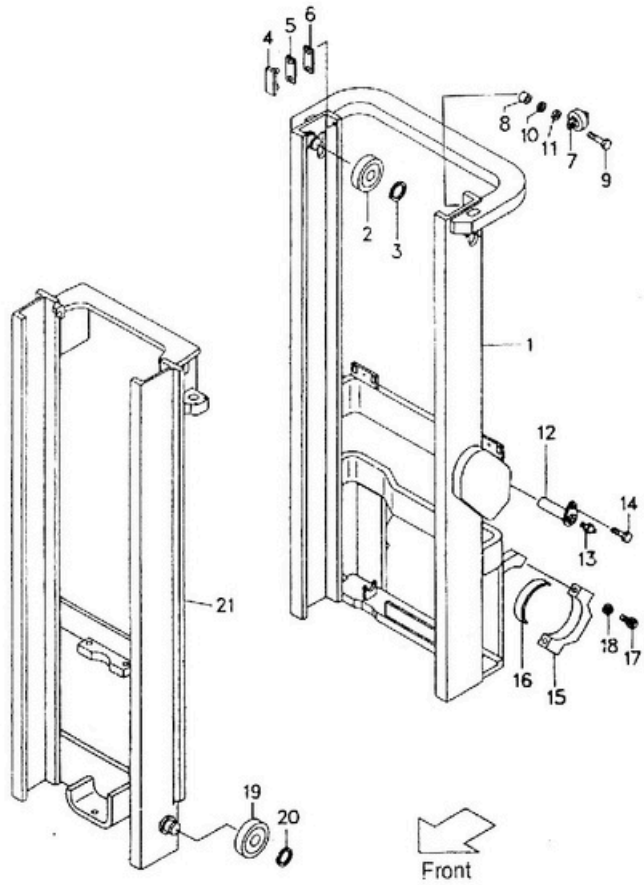
Fig.68 MAST VFM31A



<Optional Parts>

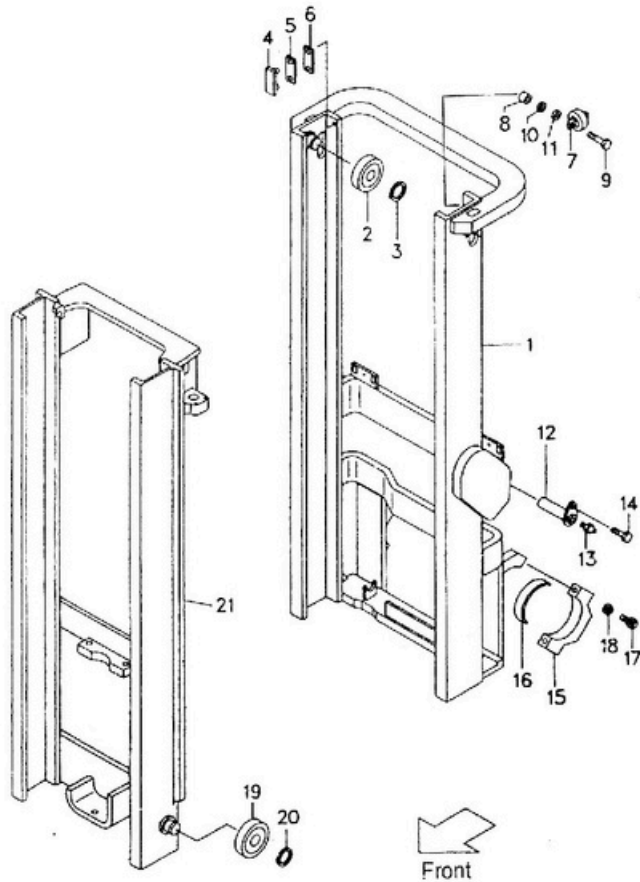
| Item No. | 1 | 21 |
|-------------|--------------|-------------|
| Lift Height | OUTER MAST | INNER MAST |
| VFM200 | F31A0-40011a | F31A0-40211 |
| VFM225 | F31A0-40021a | F31A0-40221 |
| VFM250 | F31A0-40031a | F31A0-40231 |
| VFM270 | F31A0-40041a | F31A0-40241 |
| VFM275 | F31A0-40051a | F31A0-40251 |
| VFM300 | (STD) | (STD) |
| VFM325 | F31A0-40061a | F31A0-40261 |
| VFM330 | F31A0-40071a | F31A0-40271 |
| VFM350 | F31A0-40081a | F31A0-40281 |
| VFM370 | F31A0-40101a | F31A0-40291 |
| VFM375 | F31A0-40111a | F31A0-40301 |
| VFM400 | F31A0-40121a | F31A0-40311 |
| VFM425 | F31A0-40131a | F31A0-40321 |
| VFM450 | F31A0-40141a | F31A0-40331 |
| VFM475 | F31A0-40151a | F31A0-40341 |
| VFM500 | F31A0-40161a | F31A0-40351 |
| VFM550 | F31A0-40171a | F31A0-40361 |
| VFM600 | F31A0-40181a | F31A0-40371 |

Fig.69 MAST VFM41A



| Item No. | Part No. | Description | Req'd | Remarks:Serial No. |
|----------|--------------|------------------------------|-------|--------------------|
| 1 | F38A0-40001a | OUTER MAST (STD)H=VFM300 | 1 | |
| 2 | F31A8-42051 | END ROLLER | 2 | |
| 3 | S2100-00045 | SNAP RING | 2 | |
| 4 | F21A8-22101 | SLIPPER | 2 | |
| 5 | F21A8-22041 | SHIM t=0.5 | AR | |
| 6 | F21A8-22051 | SHIM t=1.0 | AR | |
| 7 | F31A8-42061 | SIDE ROLLER | 2 | |
| 8 | F21A8-22091 | SPACE | 2 | |
| 9 | S1106-12050 | BOLT | 2 | |
| 10 | F21A8-22081 | SHIM | AR | |
| 11 | F21A8-22061 | SHIM | AR | |
| 12 | F31A8-52201 | PIN | 2 | |
| 13 | S4901-00100 | FITTING | 2 | |
| 14 | S1184-10020 | BOLT | 2 | |
| 15 | F31A8-40101 | CAP | 2 | |
| 16 | F31A8-40201 | BUSHING | 2 | |
| 17 | S1106-16065 | BOLT | 4 | |
| 18 | S2011-00016 | WASHER | 4 | |
| 19 | F31A8-42051 | END ROLLER | 2 | |
| 20 | S2100-00045 | SNAP RING | 2 | |
| 21 | F38A0-40301 | INNER MAST (STD) H=VFM300 | 1 | |

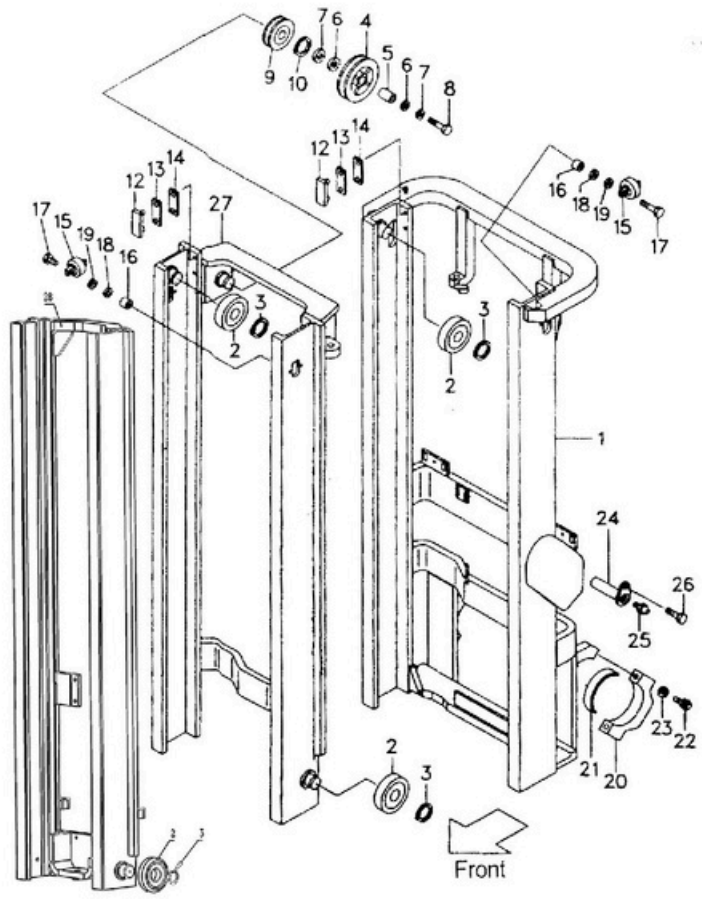
Fig.69 MAST VFM41A



<Optional Parts>

| Item No. | 1 | 21 |
|-------------|--------------|-------------|
| Lift Height | OUTER MAST | INNER MAST |
| VFM200 | F38A0-40011a | F38A0-40311 |
| VFM225 | F38A0-40021a | F38A0-40321 |
| VFM250 | F38A0-40031a | F38A0-40331 |
| VFM270 | F38A0-40041a | F38A0-40341 |
| VFM275 | F38A0-40051a | F38A0-40351 |
| VFM300 | (STD) | (STD) |
| VFM325 | F38A0-40061a | F38A0-40361 |
| VFM330 | F38A0-40071a | F38A0-40371 |
| VFM350 | F38A0-40081a | F38A0-40381 |
| VFM370 | F38A0-40101a | F38A0-40391 |
| VFM375 | F38A0-40111a | F38A0-40401 |
| VFM400 | F38A0-40121a | F38A0-40411 |
| VFM425 | F38A0-40131a | F38A0-40421 |
| VFM450 | F38A0-40141a | F38A0-40431 |
| VFM475 | F38A0-40151a | F38A0-40441 |
| VFM500 | F38A0-40161a | F38A0-40451 |
| VFM550 | F38A0-40171a | F38A0-40461 |
| VFM600 | F38A0-40181a | F38A0-40471 |

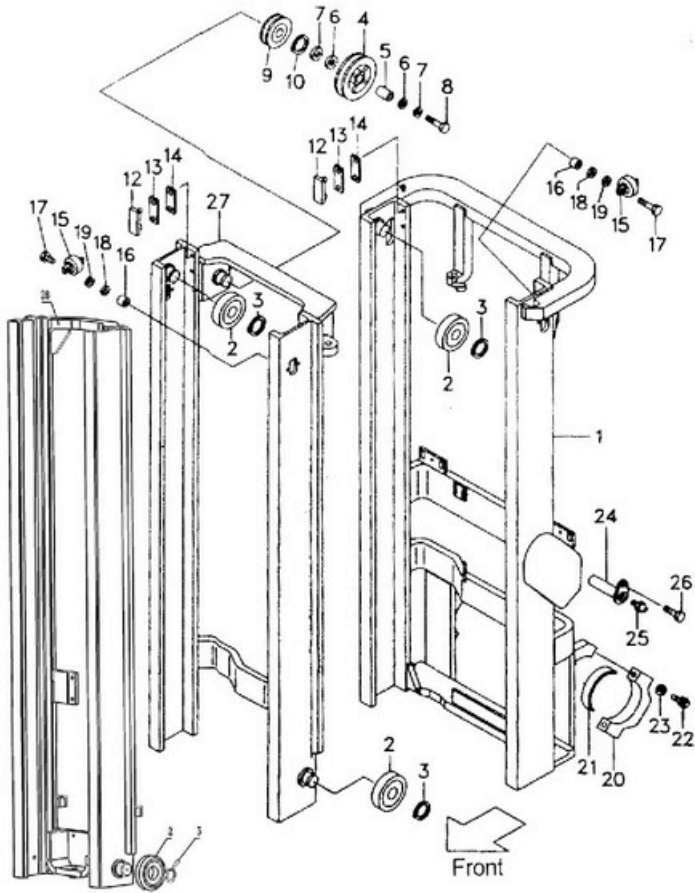
Fig.70 MAST VF5M21A



| Item No. | Part No. | Description | Req'd | Remarks:Serial No. |
|----------|--------------|------------------------------|-------|--------------------|
| 1 | F21A7-70201a | OUTER MAST (STD)H=VF5M450 | 1 | |
| 2 | F31A8-42051 | END ROLLER SNAP | 8 | |
| 3 | S2100-00045 | RING PULLY | 8 | |
| 4 | P3130-15301 | CLOOAR | 1 | |
| 5 | P2170-12651 | NYLON, MATTRESS | 1 | |
| 6 | P2050-12331 | WASHER | 2 | |
| 7 | P3200-72221 | BOLT | 2 | |
| 8 | S1106-16065 | SHEAVE | 1 | |
| 9 | F31A0-83001 | SNAP RING | 1 | |
| 10 | S2100-00040 | SLIPPER | 1 | |
| 12 | F21A8-22101 | SHIM t=0.5 | 4 | |
| 13 | F21A8-22041 | SHIM t=1.0 | AR | |
| 14 | F21A8-22051 | SIDE ROLLER | AR | |
| 15 | F31A8-42061 | SPACE | 4 | |
| 16 | F21A8-22091 | BOLT | 4 | |
| 17 | S1106-12050 | SHIM | 4 | |
| 18 | F21A8-22081 | SHIM | AR | |
| 19 | F21A8-22061 | CAP | AR | |
| 20 | F31A8-40101 | BUSHING | 2 | |
| 21 | F31A8-40201 | BOLT | 2 | |
| 22 | S1106-16065 | | 2 | |

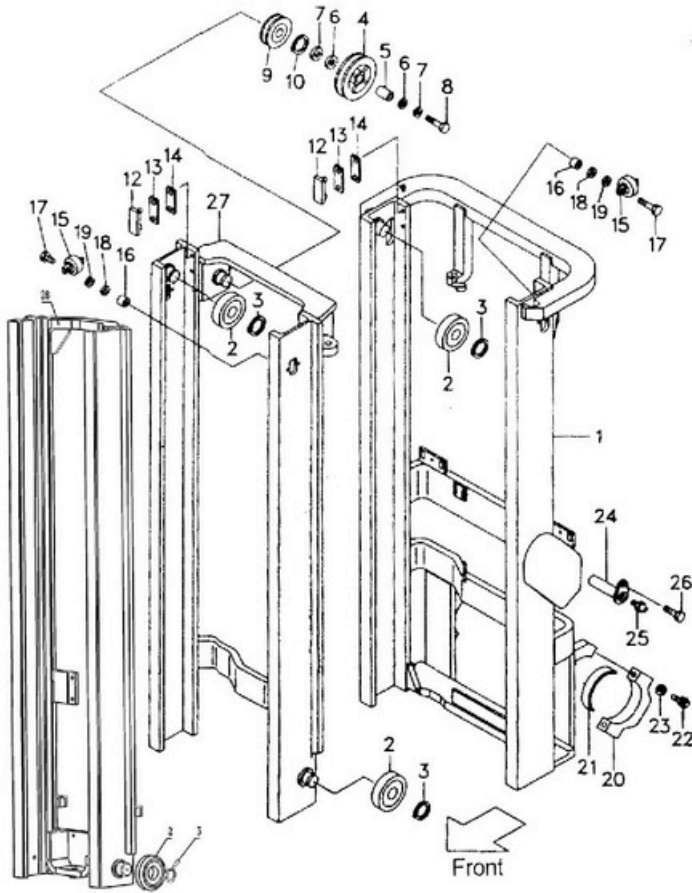
Fig.70

Fig.70 MAST VF5M21A



| Item No. | Part No. | Description | Req'd | Remarks:Serial No. |
|----------|-------------|--------------------------------|-------|--------------------|
| 23 | S2011-00016 | WASHER | 2 | |
| 24 | F31A8-52201 | PIN | 2 | |
| 25 | S4901-00100 | FITTING | 2 | |
| 26 | S1184-10020 | BOLT | 2 | |
| 27 | F21A7-70401 | MIDDLE MAST (STD) H=VF5M450 | 1 | |
| 28 | F21A7-70601 | INNER MAST (STD) H=VF5M 450 | 1 | See OP. Parts |

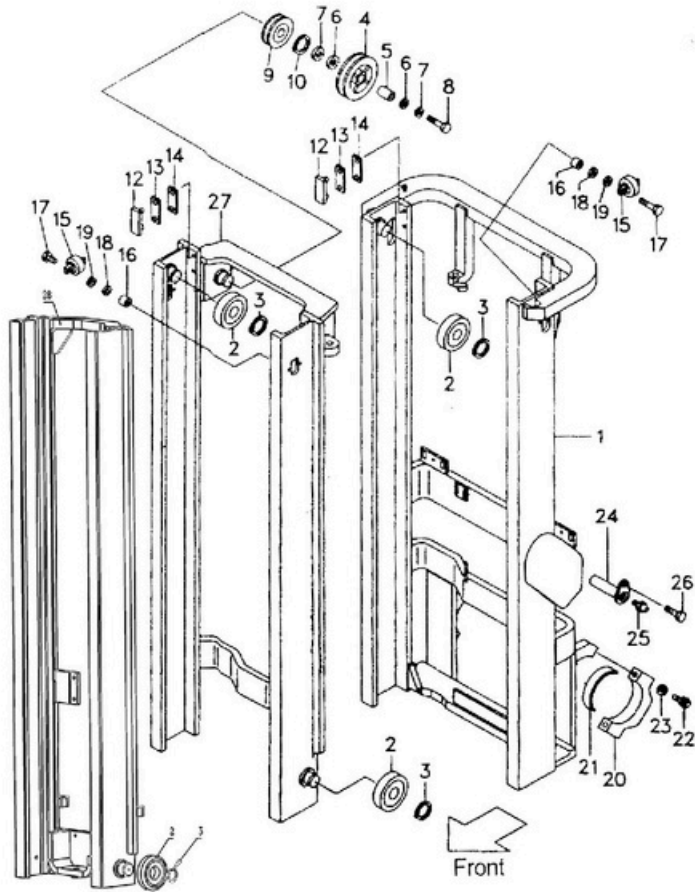
Fig.70 MAST VF5M21A



<Optional Parts>

| Item No. | 1 | 27 | 28 |
|-------------|--------------|-------------|-------------|
| Lift Height | OUTER MAST | MIDDLE MAST | INNER MAST |
| VF5M360 | F21A7-70211a | F21A7-70411 | F21A7-70611 |
| VF5M400 | F21A7-70221a | F21A7-70421 | F21A7-70621 |
| VF5M435 | F21A7-70231a | F21A7-70431 | F21A7-70631 |
| VF5M450 | (STD) | (STD) | (STD) |
| VF5M480 | F21A7-70241a | F21A7-70441 | F21A7-70641 |
| VF5M500 | F21A7-70251a | F21A7-70451 | F21A7-70651 |
| VF5M540 | F21A7-70261a | F21A7-70461 | F21A7-70661 |
| VF5M550 | F21A7-70271a | F21A7-70471 | F21A7-70671 |
| VF5M600 | F21A7-70281a | F21A7-70481 | F21A7-70681 |
| VF5M650 | F21A7-70291a | F21A7-70491 | F21A7-70691 |
| VF5M700 | F21A7-70301a | F21A7-70501 | F21A7-70701 |
| VF5M750 | F21A7-70311a | F21A7-70511 | F21A7-70711 |

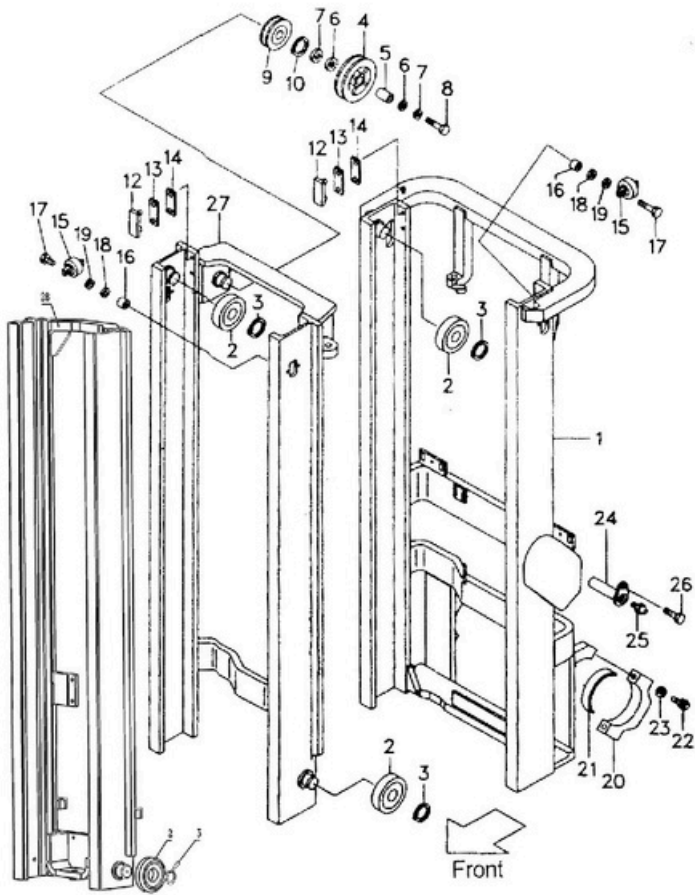
Fig.71 MAST VF31A



| Item No. | Part No. | Description | Req'd | Remarks:Serial No. |
|----------|-------------|-------------------------------|-------|--------------------|
| 1 | F31A7-70203 | OUTER MAST (STD)H=VF31A450 | 1 | |
| 2 | F31A8-42051 | END ROLLER SNAP | 8 | |
| 3 | S2100-00045 | RING PULLY | 8 | |
| 4 | P3130-15301 | CLOORAR | 1 | |
| 5 | P2170-12651 | NYLON, | 1 | |
| 6 | P2050-12331 | MATTRESS | 2 | |
| 7 | P3200-72221 | WASHER | 2 | |
| 8 | S1106-16065 | BOLT | 1 | |
| 9 | F31A0-83001 | SHEAVE | 1 | |
| 10 | S2100-00040 | SNAP RING | 1 | |
| 12 | F21A8-22101 | SLIPPER | 4 | |
| 13 | F21A8-22041 | SHIM t=0.5 | AR | |
| 14 | F21A8-22051 | SHIM t=1.0 | AR | |
| 15 | F31A8-42061 | SIDE ROLLER | 4 | |
| 16 | F21A8-22091 | SPACE | 4 | |
| 17 | S1106-12050 | BOLT | 4 | |
| 18 | F21A8-22081 | SHIM | AR | |
| 19 | F21A8-22061 | SHIM | AR | |
| 20 | F31A8-40101 | CAP | 2 | |
| 21 | F31A8-40201 | BUSHING | 2 | |
| 22 | S1106-16065 | BOLT | 2 | |

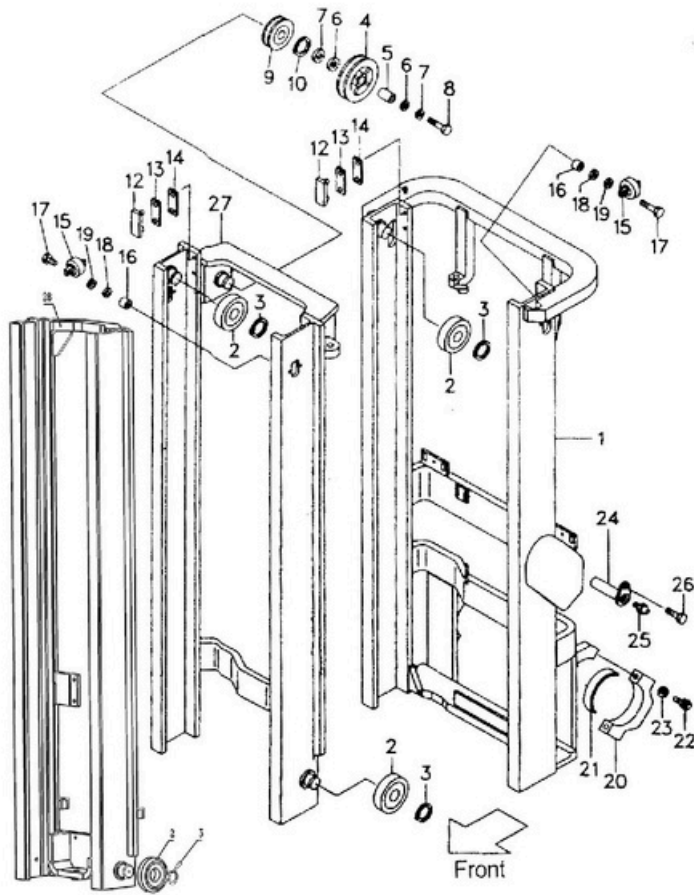
Fig.71

Fig.71 MAST VF5M31A



| Item No. | Part No. | Description | Req'd | Remarks:Serial No. |
|----------|-------------|--------------------------------|-------|--------------------|
| 23 | S2011-00016 | WASHER | 2 | |
| 24 | F31A8-52201 | PIN | 2 | |
| 25 | S4901-00100 | FITTING | 2 | |
| 26 | S1184-10020 | BOLT | 2 | |
| 27 | F31A7-70401 | MIDDLE MAST (STD) H=VF5M450 | 1 | |
| 28 | F31A7-70603 | INNER MAST (STD) H=VF5M 450 | 1 | See OP. Parts |

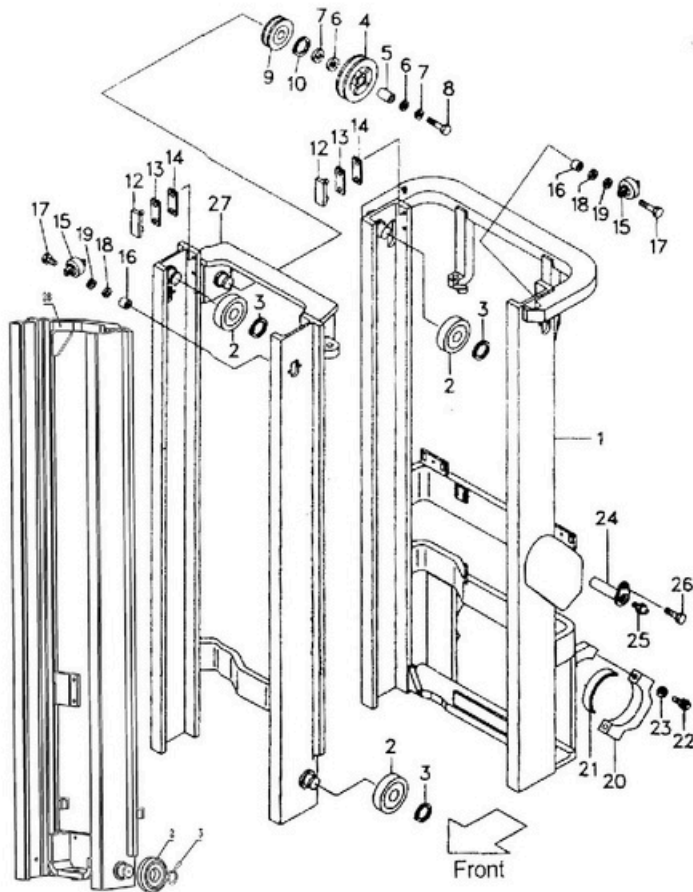
Fig.71 MAST VFSM31A



<Optional Parts>

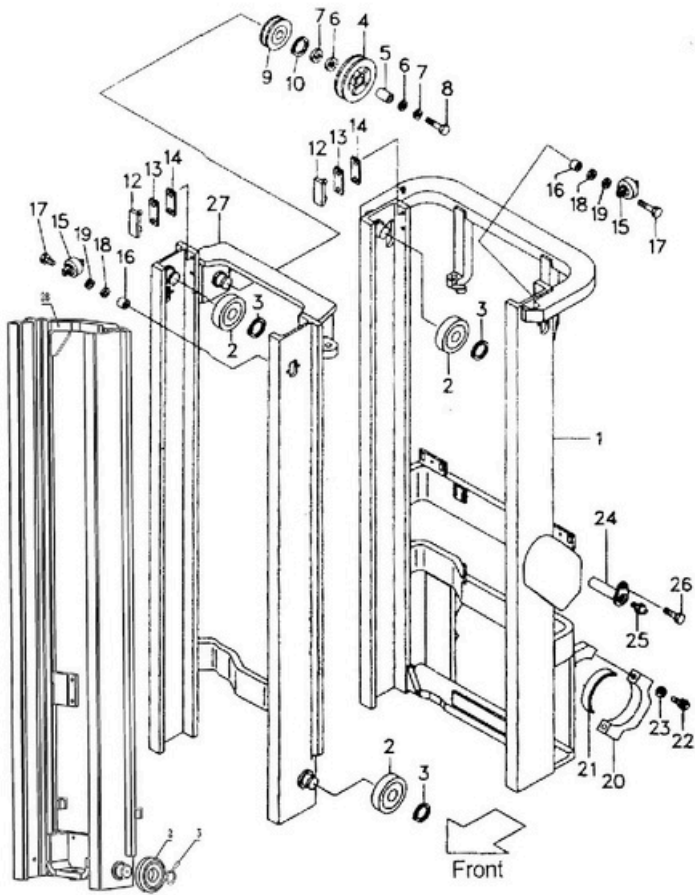
| Item No. | 1 | 27 | 28 |
|-------------|-------------|-------------|-------------|
| Lift Height | OUTER MAST | MIDDLE MAST | INNER MAST |
| VFSM360 | F31A7-70213 | F31A7-70411 | F31A7-70613 |
| VFSM400 | F31A7-70223 | F31A7-70421 | F31A7-70623 |
| VFSM435 | F31A7-70233 | F31A7-70431 | F31A7-70633 |
| VFSM450 | (STD) | (STD) | (STD) |
| VFSM480 | F31A7-70243 | F31A7-70441 | F31A7-70643 |
| VFSM500 | F31A7-70253 | F31A7-70451 | F31A7-70653 |
| VFSM540 | F31A7-70263 | F31A7-70461 | F31A7-70663 |
| VFSM550 | F31A7-70273 | F31A7-70471 | F31A7-70673 |
| VFSM600 | F31A7-70283 | F31A7-70481 | F31A7-70683 |
| VFSM650 | F31A7-70293 | F31A7-70491 | F31A7-70693 |
| VFSM700 | F31A7-70303 | F31A7-70501 | F31A7-70703 |
| VFSM750 | F31A7-70313 | F31A7-70511 | F31A7-70713 |

Fig.72 MAST VFSM41A



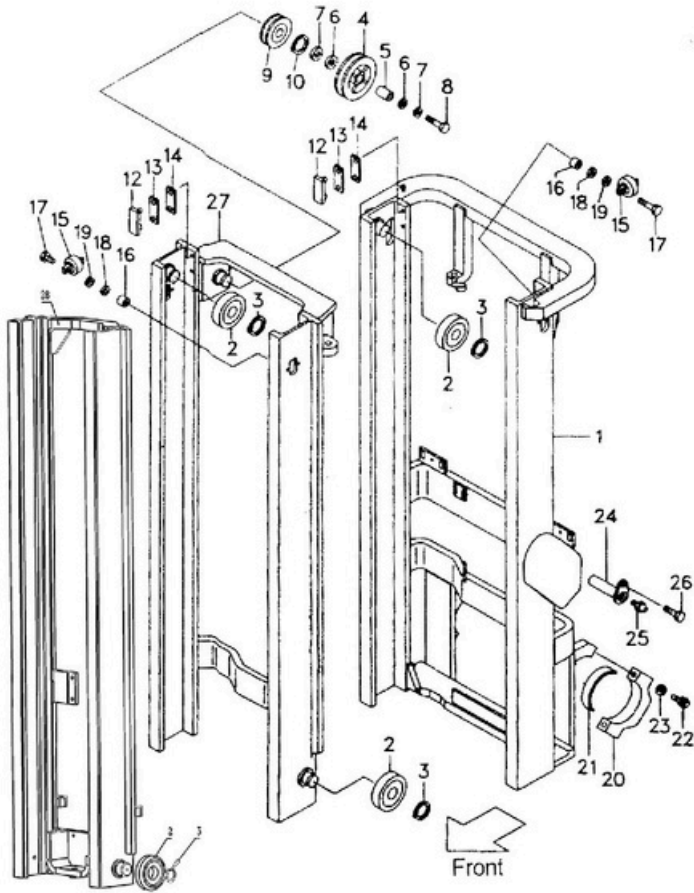
| Item No. | Part No. | Description | Req'd | Remarks:Serial No. |
|----------|-------------|------------------------------|-------|--------------------|
| 1 | F38A7-70201 | OUTER MAST (STD)H=VFSM450 | 1 | |
| 2 | F31A8-42051 | END ROLLER SNAP | 8 | |
| 3 | S2100-00045 | RING PULLEY | 8 | |
| 4 | P3130-15301 | CLOORAR | 1 | |
| 5 | P2170-12651 | NYLON, MATTRESS | 1 | |
| 6 | P2050-12331 | WASHER | 2 | |
| 7 | P3200-72221 | BOLT | 2 | |
| 8 | S1106-16065 | SHEAVE | 1 | |
| 9 | F31A0-83001 | SNAP RING | 1 | |
| 10 | S2100-00040 | SLIPPER | 1 | |
| 12 | F21A8-22101 | SHIM t=0.5 | 4 | |
| 13 | F21A8-22041 | SHIM t=1.0 | AR | |
| 14 | F21A8-22051 | SIDE ROLLER | AR | |
| 15 | F31A8-42061 | SPACE | 4 | |
| 16 | F21A8-22091 | BOLT | 4 | |
| 17 | S1106-12050 | SHIM | 4 | |
| 18 | F21A8-22081 | SHIM | AR | |
| 19 | F21A8-22061 | CAP | AR | |
| 20 | F31A8-40101 | BUSHING | 2 | |
| 21 | F31A8-40201 | BOLT | 2 | |
| 22 | S1106-16065 | | 2 | |

Fig.72 MAST VF5M41A



| Item No. | Part No. | Description | Req'd | Remarks: Serial No. |
|----------|-------------|----------------------------------|-------|---------------------|
| 23 | S2011-00016 | WASHER | 2 | |
| 24 | F31A8-52201 | PIN | 2 | |
| 25 | S4901-00100 | FITTING | 2 | |
| 26 | S1184-10020 | BOLT | 2 | |
| 27 | F38A7-70401 | MIDDLE MAST (STD) H=VF SM 450 | 1 | |
| 28 | F38A7-70603 | INNER MAST (STD) H=VF5M 450 | 1 | See OP. Parts |

Fig.72 MAST VFSM41A

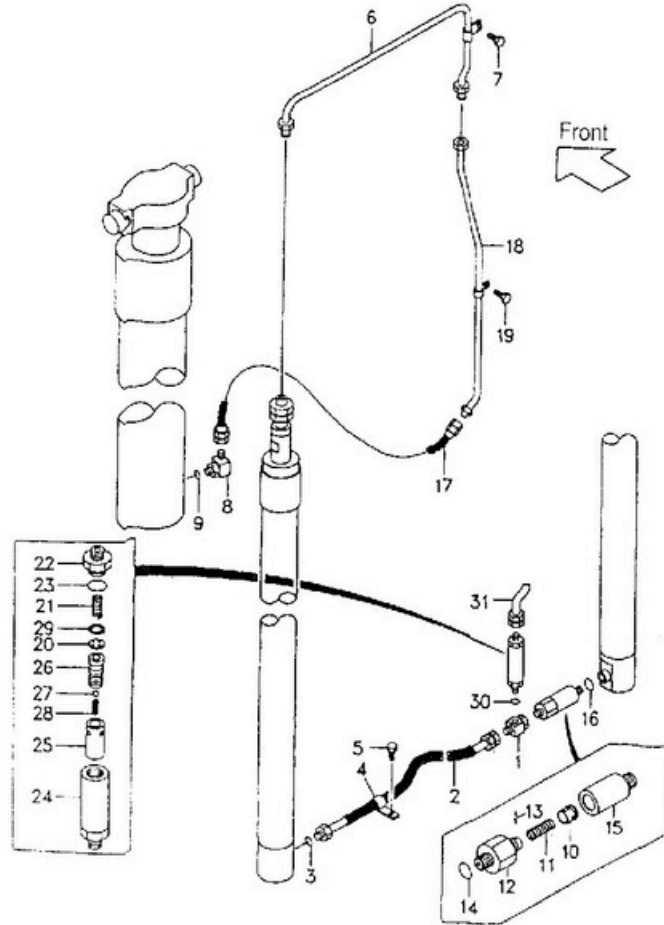


<Optional Parts>

| Item No. | 1 | 27 | 28 |
|-------------|-------------|-------------|-------------|
| Lift Height | OUTER MAST | MIDDLE MAST | INNER MAST |
| VFSM360 | F38A7-70211 | F38A7-70411 | F38A7-70613 |
| VFSM400 | F38A7-70221 | F38A7-70421 | F38A7-70623 |
| VFSM435 | F38A7-70231 | F38A7-70431 | F38A7-70633 |
| VFSM450 | (STD) | (STD) | (STD) |
| VFSM480 | F38A7-70241 | F38A7-70441 | F38A7-70643 |
| VFSM500 | F38A7-70251 | F38A7-70451 | F38A7-70653 |
| VFSM540 | F38A7-70261 | F38A7-70461 | F38A7-70663 |
| VFSM550 | F38A7-70271 | F38A7-70471 | F38A7-70673 |
| VFSM600 | F38A7-70281 | F38A7-70481 | F38A7-70683 |
| VFSM650 | F38A7-70291 | F38A7-70491 | F38A7-70693 |
| VFSM700 | F38A7-70301 | F38A7-70501 | F38A7-70703 |
| VFSM750 | F38A7-70311 | F38A7-70511 | F38A7-70713 |

Fig.73

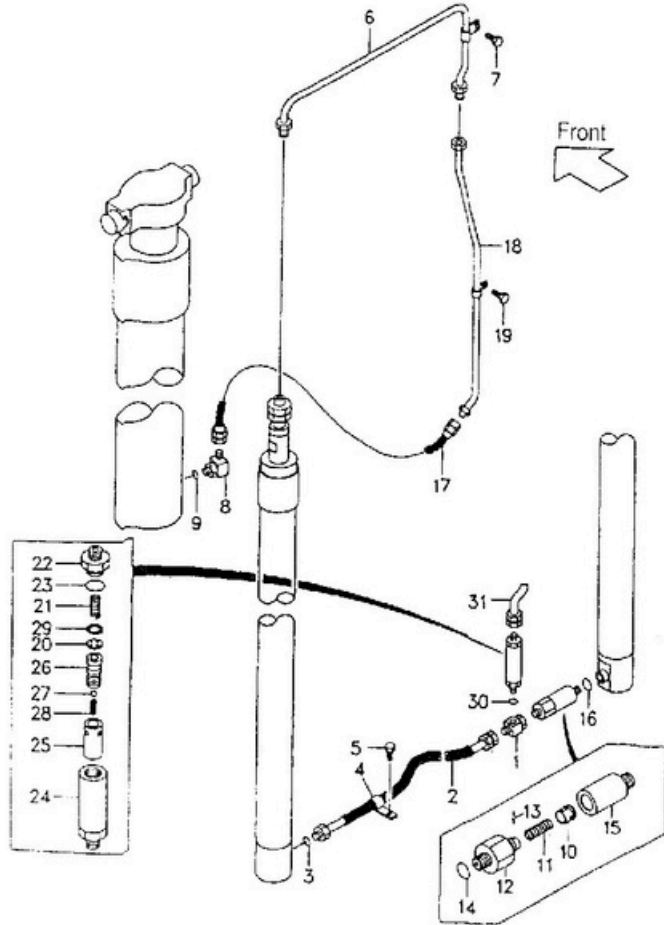
Fig.73 MAST PIPING VFM21A



| Item No. | Part No. | Description | Req'd | Remarks: Serial No. |
|----------|-------------|---------------------------------------|-------|---------------------|
| 1 | F31A8-41101 | THREE SAY | 1 | |
| A | F31A0-62071 | HOSE ASS'Y. (inc.2,3) | 1 | |
| 2 | F31A0-63071 | HOSE | 1 | |
| 3 | S3320-00140 | O-RING | 1 | |
| 4 | F31A8-44081 | CLIP | 1 | |
| 5 | S1184-10020 | BOLT | 1 | |
| 6 | F21A0-62001 | PIPE | 1 | |
| 7 | S1183-06016 | BOLT | 1 | |
| B | F31A0-91001 | ELBOW ASS'Y. (inc. 8,9) | 1 | |
| 8 | F31A0-94001 | ELBOW | 1 | |
| 9 | S3320-00240 | O-RING | 1 | |
| C | F31A8-40701 | CUT VALVE ASS'Y. (inc. 10 ~ 16) | 1 | |
| D | F31A8-41706 | CUT VALVE SUB ASS'Y (inc. 10 ~ 14) | 1 | |
| 10 | F31A8-42601 | PISTON | 1 | |
| 11 | F31A8-42611 | SPRING | 1 | |
| 12 | F31A8-42621 | NIPPLE | 1 | |
| 13 | S2270-01014 | PIN | 1 | |
| 14 | S3320-00140 | O-RING | 1 | |
| 15 | F31A0-64111 | ADAPTER | 1 | |
| 16 | S3320-00140 | O-RING | 1 | |
| 17 | F31A0-62151 | HOSE | 1 | |
| 18 | F21A0-60351 | PIPE (STD) H=VFM300 | 1 | See OP. Parts |

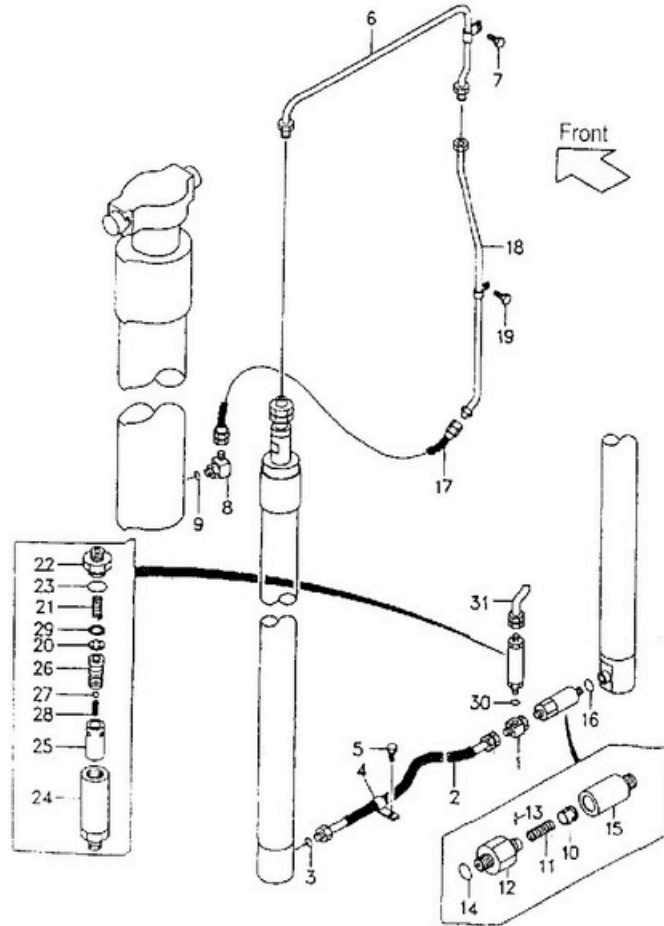
Fig.73

Fig.73 MAST PIPING VFM21A



| Item No. | Part No. | Description | Req'd | Remarks:Serial No. |
|----------|---------------|---|-------|--------------------|
| 19 | S1183-06016 | BOLT | 1 | |
| E | F21A8-41001 | FLOW REGULATOR ASS'Y. (inc. 20 - 29) | 1 | |
| 20 | NO PART NO. § | PLATE | 1 | |
| 21 | F21A8-43101 | SPRING | 1 | |
| 22 | NO PART NO. | NIPPLE | 1 | |
| 23 | S3300-00280 | O-RING | 1 | |
| 24 | NO PART NO. | CASE | 1 | |
| 25 | NO PART NO. | SLEEVE | 1 | |
| 26 | NO PART NO. | PISTON | 1 | |
| 27 | F21A8-42951 | BALL | 1 | |
| 28 | F21A8-44151 | SPRING | 1 | |
| 29 | S2210-00018 | SNAP RING | 1 | |
| 30 | S3320-00180 | O-RING | 1 | |
| 31 | F21A8-02102 | HOSE | 1 | |

Fig.73 MAST PIPING VFM21A

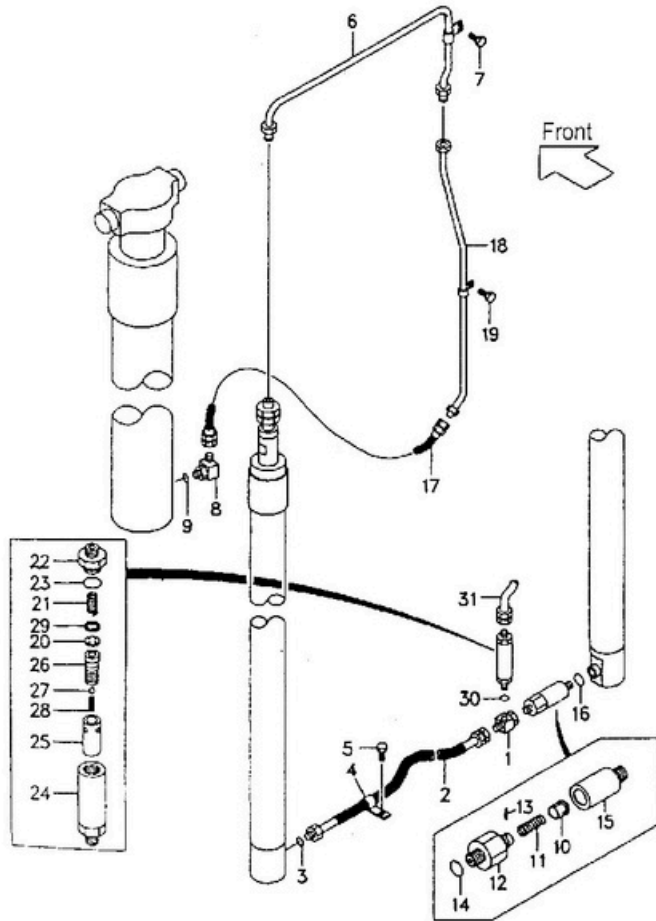


<Optional Parts>

| Item No. | 18 |
|-------------|-------------|
| Lift Height | PIPE |
| VFM200 | F21A0-60301 |
| VFM225 | F21A0-60311 |
| VFM250 | F21A0-60321 |
| VFM270 | F21A0-60331 |
| VFM275 | F21A0-60341 |
| VFM300 | (STD) |
| VFM325 | F21A0-60361 |
| VFM330 | F21A0-60371 |
| VFM350 | F21A0-60381 |
| VFM366 | F21A0-60391 |
| VFM370 | F21A0-60401 |
| VFM375 | F21A0-60411 |
| VFM400 | F21A0-60421 |
| VFM425 | F21A0-60431 |
| VFM450 | F21A0-60441 |
| VFM475 | F21A0-60451 |
| VFM500 | F21A0-60461 |
| VFM550 | F21A0-60471 |
| VFM600 | F21A0-60481 |

Fig.74

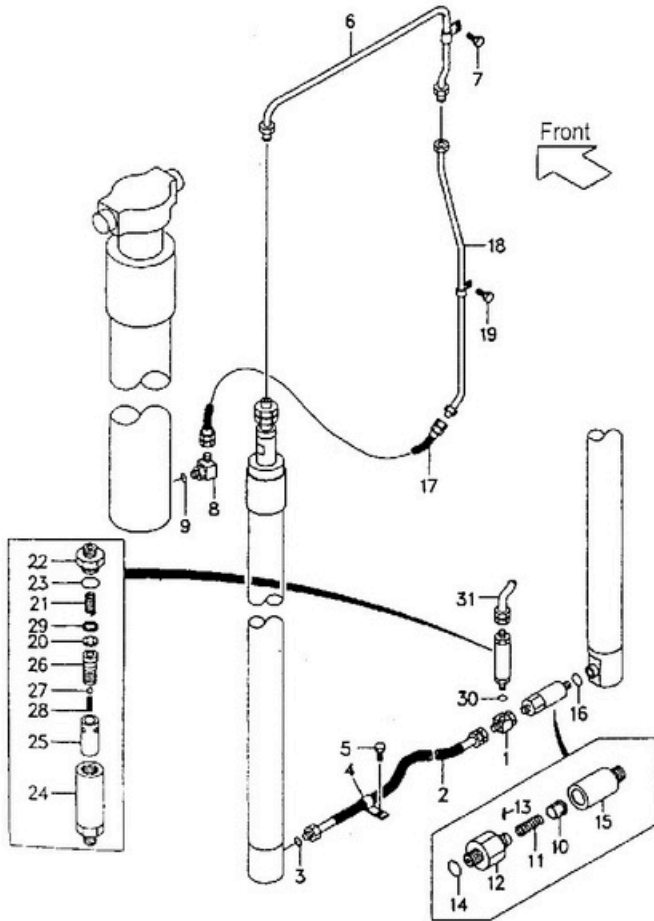
Fig.74 MAST PIPING VFM31A



| Item No. | Part No. | Description | Req'd | Remarks:Serial No. |
|----------|-------------|---------------------------------------|-------|--------------------|
| 1 | F31A8-41101 | THREE SAY | 1 | |
| A | F31A0-62071 | HOSE ASS'Y. (inc.2,3) | 1 | |
| 2 | F31A0-63071 | HOSE | 1 | |
| 3 | S3320-00140 | O-RING | 1 | |
| 4 | F31A8-44081 | CLIP | 1 | |
| 5 | S1184-10020 | BOLT | 1 | |
| 6 | F21A0-62001 | PIPE | 1 | |
| 7 | S1183-06016 | BOLT | 1 | |
| B | F31A0-91001 | ELBOW ASS'Y. (inc. 8,9) | 1 | |
| 8 | F31A0-94001 | ELBOW | 1 | |
| 9 | S3320-00240 | O-RING | 1 | |
| C | F31A8-40701 | CUT VALVE ASS'Y. (inc. 10 ~ 16) | 1 | |
| D | F31A8-41706 | CUT VALVE SUB ASS'Y (inc. 10 ~ 14) | 1 | |
| 10 | F31A8-42601 | PISTON | 1 | |
| 11 | F31A8-42611 | SPRING | 1 | |
| 12 | F31A8-42621 | NIPPLE | 1 | |
| 13 | S2270-01014 | PIN | 1 | |
| 14 | S3320-00140 | O-RING | 1 | |
| 15 | F31A0-64111 | ADAPTER | 1 | |
| 16 | S3320-00140 | O-RING | 1 | |
| 17 | F31A0-62151 | HOSE | 1 | |
| 18 | F31A0-60351 | PIPE (STD) H=VFM300 | 1 | See OP. Parts |

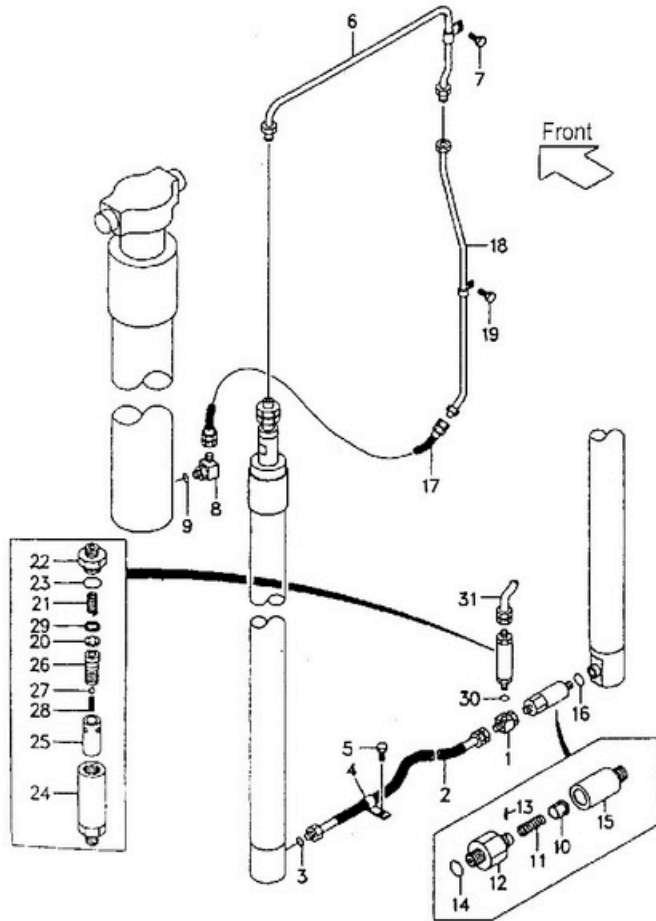
Fig.74

Fig.74 MAST PIPING VFM31A



| Item No. | Part No. | Description | Req'd | Remarks:Serial No. |
|----------|---------------|---|-------|--------------------|
| 19 | S1183-06016 | BOLT | 1 | |
| E | F31A8-41001 | FLOW REGULATOR ASS'Y. (inc. 20 ~ 29) | 1 | |
| 20 | NO PART NO. § | PLATE | 1 | |
| 21 | F21A8-43101 | SPRING | 1 | |
| 22 | NO PART NO. | NIPPLE | 1 | |
| 23 | S3300-00280 | O-RING | 1 | |
| 24 | NO PART NO. | CASE | 1 | |
| 25 | NO PART NO. | SLEEVE | 1 | |
| 26 | NO PART NO. | PISTON | 1 | |
| 27 | F21A8-42951 | BALL | 1 | |
| 28 | F21A8-44151 | SPRING | 1 | |
| 29 | S2210-00018 | SNAP RING | 1 | |
| 30 | S3320-00180 | O-RING | 1 | |
| 31 | F31A8-02102 | HOSE | 1 | |

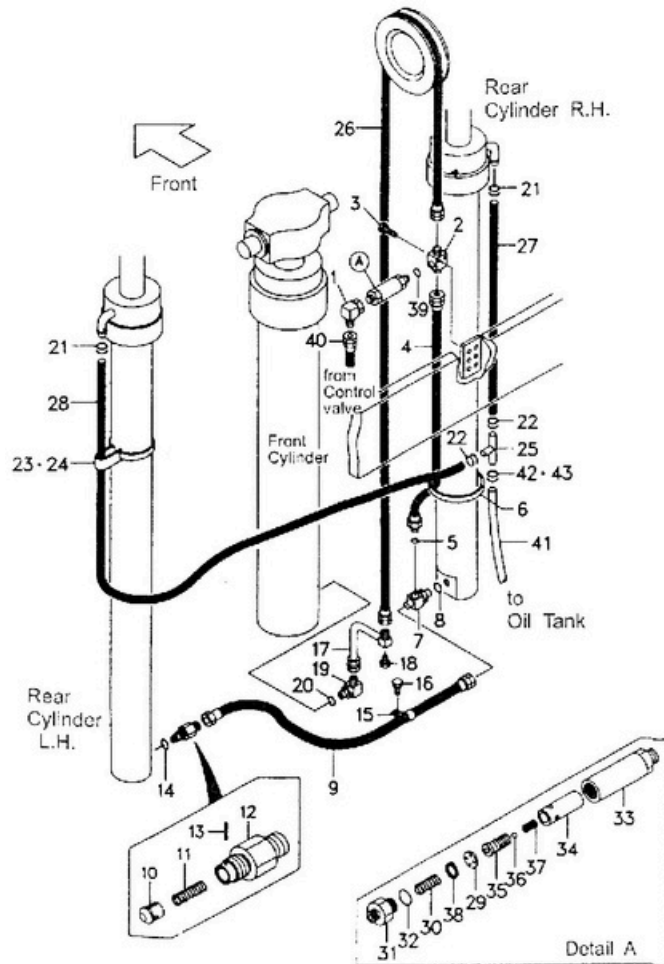
Fig.74 MAST PIPING VFM31A



<Optional Parts>

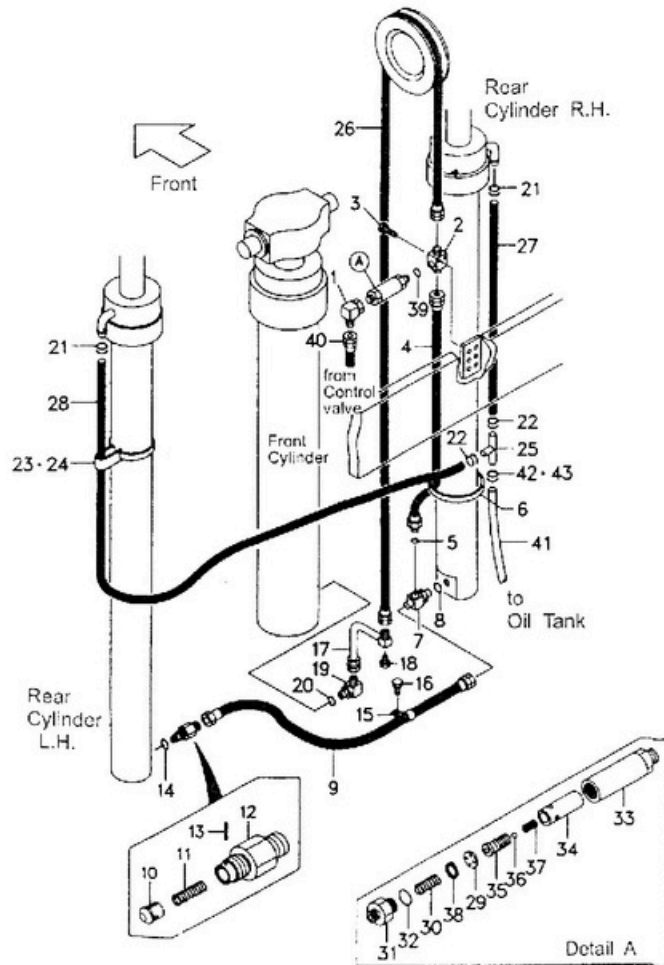
| Item No. | 18 |
|-------------|-------------|
| Lift Height | PIPE |
| VFM200 | F31A0-60301 |
| VFM225 | F31A0-60311 |
| VFM250 | F31A0-60321 |
| VFM270 | F31A0-60331 |
| VFM275 | F31A0-60341 |
| VFM300 | (STD) |
| VFM325 | F31A0-60361 |
| VFM330 | F31A0-60371 |
| VFM350 | F31A0-60381 |
| VFM366 | F31A0-60391 |
| VFM370 | F31A0-60401 |
| VFM375 | F31A0-60411 |
| VFM400 | F31A0-60421 |
| VFM425 | F31A0-60431 |
| VFM450 | F31A0-60441 |
| VFM475 | F31A0-60451 |
| VFM500 | F31A0-60461 |
| VFM550 | F31A0-60471 |
| VFM600 | F31A0-60481 |

Fig.75 MAST PIPING VFHM21A



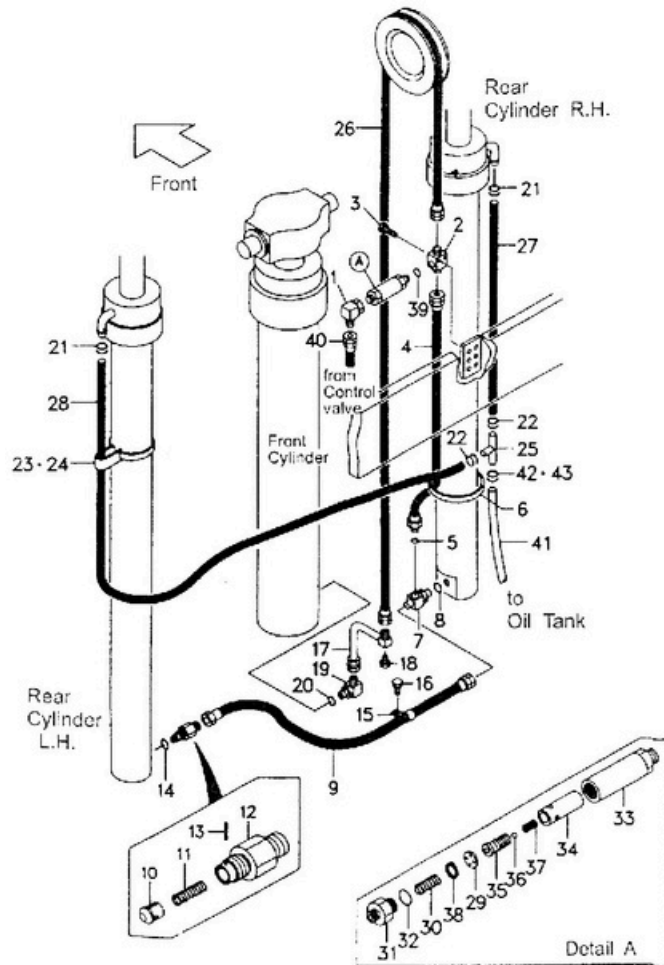
| Item No. | Part No. | Description | Req'd | Remarks:Serial No. |
|----------|-------------|----------------------------------|-------|--------------------|
| 1 | F2150-14321 | ELBOW | 1 | |
| 2 | F31A0-92061 | THREE WAY | 1 | |
| 3 | S1184-10040 | BOLT | 2 | |
| A | F21A0-92101 | HOSE ASS'Y (Inc.4,5) | 1 | |
| 4 | F21A0-92201 | HOSE | 1 | |
| 5 | S3320-00180 | O-RING | 1 | |
| 6 | S4913-11380 | BAND | 1 | |
| B | F31A8-41101 | THREE WAY ASS'Y (Inc.7,8) | 1 | |
| 7 | F31A8-42201 | THREE WAY | 1 | |
| 8 | S3320-00140 | O-RING | 1 | |
| 9 | F31A0-62071 | HOSE | 1 | |
| C | F31A8-41706 | CUT VALVE ASS'Y (Inc.10 ~ 16) | 1 | |
| 10 | F31A8-42601 | PISTON | 1 | |
| 11 | F31A8-42611 | SPRING | 1 | |
| 12 | F31A8-42621 | NIPPLE | 1 | |
| 13 | S2270-01014 | PIN | 1 | |
| 14 | S3320-00140 | O-RING | 1 | |
| 15 | F31A8-43081 | CLIP | 1 | |
| 16 | S1184-10020 | BOLT | 1 | |
| 17 | F31A0-90151 | PIPE | 1 | |
| 18 | S1186-10020 | BOLT | 1 | |
| D | F31A0-94001 | ELBOW ASS'Y (Inc. 19,20) | 1 | |
| 19 | F31A0-95001 | ELBOW | 1 | |
| 20 | S3320-00240 | O-RING | 1 | |

Fig.75 MAST PIPING VFHM21A



| Item No. | Part No. | Description | Req'd | Remarks: Serial No. |
|----------|-------------|--|-------|---------------------|
| 21 | S4911-00018 | CLIP | 2 | |
| 22 | S4911-00018 | CLIP | 2 | |
| 23 | S4913-21380 | BAND | 2 | |
| 24 | F31A8-47401 | BAND | 2 | |
| 25 | F21A8-22111 | THREE WAY | 1 | |
| 26 | S4601-44256 | HOSE (STD) H=VFHM450 | 1 | |
| 27 | S3678-40110 | TUBE R.H. (STD) H=VFHM450 | 1 | |
| 28 | S3678-40175 | TUBE R.H. (STD) H=VFHM450 | 1 | |
| E | F21A8-41001 | FLOW REGULATOR ASS'Y (inc. 20 - 29) | 1 | |
| 29 | NO PART NO. | PLATE | 1 | |
| 30 | F21A8-43101 | SPRING | 1 | |
| 31 | NO PART NO. | NIPPLE | 1 | |
| 32 | S3300-00280 | O-RING | 1 | |
| 33 | NO PART NO. | CASE | 1 | |
| 34 | NO PART NO. | SLEEVE | 1 | |
| 35 | NO PART NO. | PISTON | 1 | |
| 36 | F21A8-42951 | BALL | 1 | |
| 37 | F21A8-44151 | SPRING | 1 | |
| 38 | S2210-00018 | SNAP RING | 1 | |
| 39 | S3320-00180 | O-RING | 1 | |
| 40 | F21A0-92131 | HOSE | 1 | |
| 41 | S3678-40100 | TUBE | 1 | |
| 42 | S4911-0018 | CLAMP | 1 | |
| 43 | S4914-00016 | CLIP | 1 | |

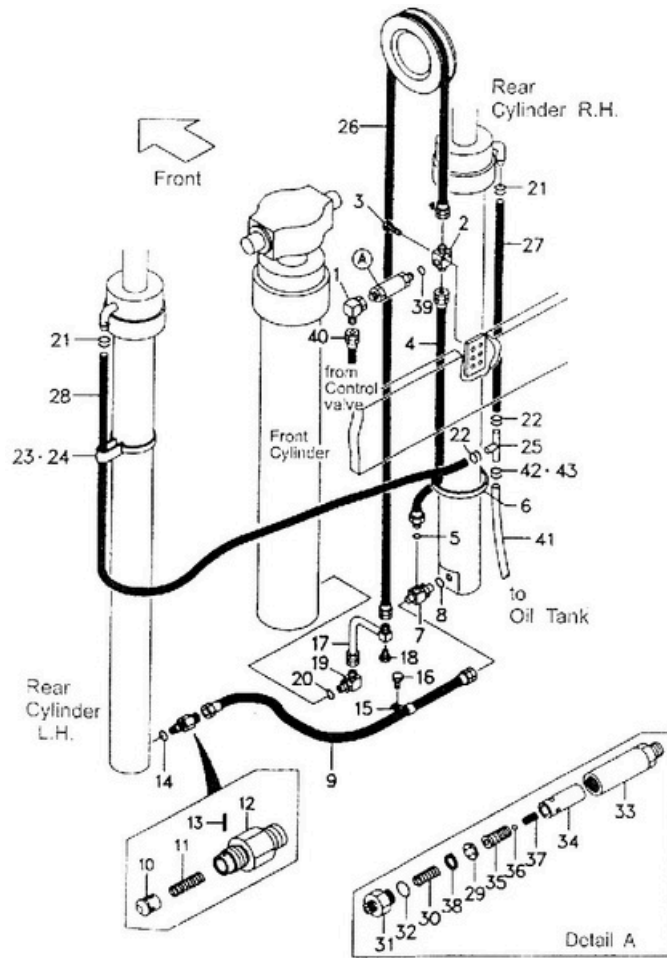
Fig.75 MAST PIPING VFHM21A



<Optional Parts>

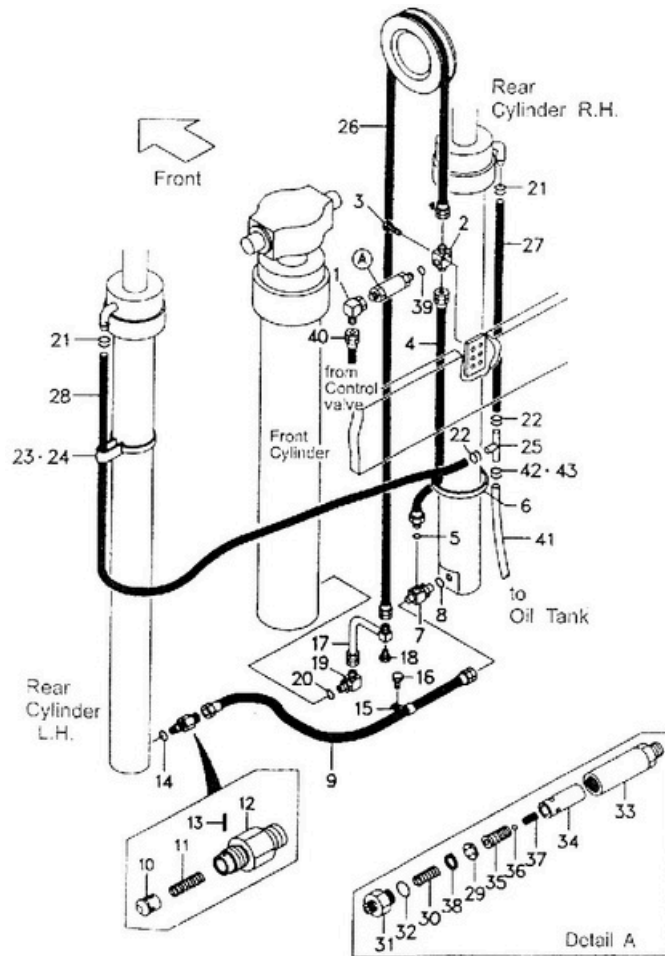
| Item No. | 26 | 27 | 28 |
|-------------|-------------|-------------|-------------|
| Lift Height | HOSE H.P. | TUBE R.H. | TUBE L.H. |
| VFHM360 | S4601-44188 | S3678-40080 | S3678-40145 |
| VFHM400 | S4601-44212 | S3678-40095 | S3678-40160 |
| VFHM435 | S4601-44237 | S3678-40105 | S3678-40170 |
| VFHM450 | (STD) | (STD) | (STD) |
| VFHM480 | S4601-44267 | S3678-40120 | S3678-40185 |
| VFHM500 | S4601-44287 | S3678-40130 | S3678-40195 |
| VFHM540 | S4601-44311 | S3678-40145 | S3678-40210 |
| VFHM550 | S4601-44319 | S3678-40150 | S3678-40215 |
| VFHM600 | S4601-44355 | S3678-40165 | S3678-40230 |
| VFHM650 | S4601-44398 | S3678-40190 | S3678-40255 |
| VFHM700 | S4601-44441 | S3678-40210 | S3678-40275 |
| VFHM750 | S4601-44473 | S3678-40225 | S3678-40290 |

Fig.76 MAST PIPING VFHM31A



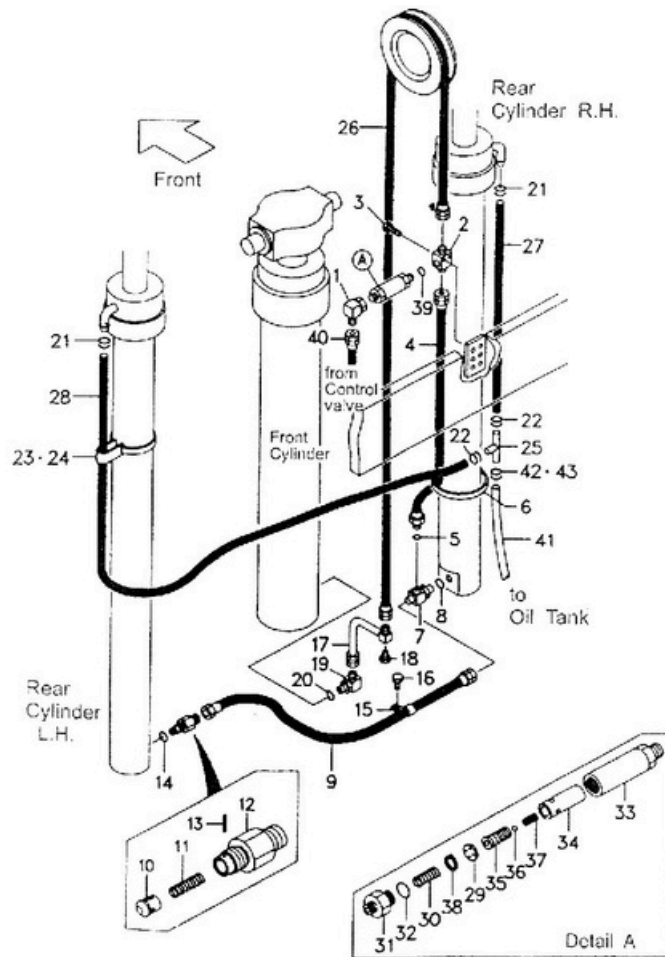
| Item No. | Part No. | Description | Req'd | Remarks:Serial No. |
|----------|-------------|----------------------------------|-------|--------------------|
| 1 | F2150-14321 | ELBOW | 1 | |
| 2 | F31A0-92061 | THREE WAY | 1 | |
| 3 | S1184-10040 | BOLT | 2 | |
| A | F21A0-92101 | HOSE ASS'Y (Inc.4,5) | 1 | |
| 4 | F21A0-92201 | HOSE | 1 | |
| 5 | S3320-00180 | O-RING | 1 | |
| 6 | S4913-11380 | BAND | 1 | |
| B | F31A8-41101 | THREE WAY ASS'Y (Inc.7,8) | 1 | |
| 7 | F31A8-42201 | THREE WAY | 1 | |
| 8 | S3320-00140 | O-RING | 1 | |
| 9 | F31A0-62071 | HOSE | 1 | |
| C | F31A8-41706 | CUT VALVE ASS'Y (Inc.10 ~ 16) | 1 | |
| 10 | F31A8-42601 | PISTON | 1 | |
| 11 | F31A8-42611 | SPRING | 1 | |
| 12 | F31A8-42621 | NIPPLE | 1 | |
| 13 | S2270-01014 | PIN | 1 | |
| 14 | S3320-00140 | O-RING | 1 | |
| 15 | F31A8-43081 | CLIP | 1 | |
| 16 | S1184-10020 | BOLT | 1 | |
| 17 | F31A0-90151 | PIPE | 1 | |
| 18 | S1186-10020 | BOLT | 1 | |
| D | F31A0-94001 | ELBOW ASS'Y (Inc. 19,20) | 1 | |
| 19 | F31A0-95001 | ELBOW | 1 | |
| 20 | S3320-00240 | O-RING | 1 | |

Fig.76 MAST PIPING VFHM31A



| Item No. | Part No. | Description | Req'd | Remarks:Serial No. |
|----------|-------------|--|-------|--------------------|
| 21 | S4911-00018 | CLIP | 2 | |
| 22 | S4911-00018 | CLIP | 2 | |
| 23 | S4913-21380 | BAND | 2 | |
| 24 | F31A8-47401 | BAND | 2 | |
| 25 | F21A8-22111 | THREE WAY | 1 | |
| 26 | S4601-44256 | HOSE (STD) H=VFHM450 | 1 | |
| 27 | S3678-40110 | TUBE R.H. (STD) H=VFHM450 | 1 | |
| 28 | S3678-40175 | TUBE R.H. (STD) H=VFHM450 | 1 | |
| E | F31A8-41001 | FLOW REGULATOR ASS'Y (inc. 20 ~ 29) | 1 | |
| 29 | NO PART NO. | PLATE | 1 | |
| 30 | F31A8-43101 | SPRING | 1 | |
| 31 | NO PART NO. | NIPPLE | 1 | |
| 32 | S3300-00280 | O-RING | 1 | |
| 33 | NO PART NO. | CASE | 1 | |
| 34 | NO PART NO. | SLEEVE | 1 | |
| 35 | NO PART NO. | PISTON | 1 | |
| 36 | F21A8-42951 | BALL | 1 | |
| 37 | F21A8-44151 | SPRING | 1 | |
| 38 | S2210-00018 | SNAP RING | 1 | |
| 39 | S3320-00180 | O-RING | 1 | |
| 40 | F21A0-92131 | HOSE | 1 | |
| 41 | S3678-40100 | TUBE | 1 | |
| 42 | S4911-0018 | CLAMP | 1 | |
| 43 | S4914-00016 | CLIP | 1 | |

Fig.76 MAST PIPING VFHM31A



<Optional Parts>

| Item No. | 26 | 27 | 28 |
|-------------|-------------|-------------|-------------|
| Lift Height | HOSE H.P. | TUBE R.H. | TUBE L.H. |
| VFHM360 | S4601-44199 | S3678-40080 | S3678-40145 |
| VFHM400 | S4601-44223 | S3678-40095 | S3678-40160 |
| VFHM435 | S4601-44246 | S3678-40105 | S3678-40170 |
| VFHM450 | (STD) | (STD) | (STD) |
| VFHM480 | S4601-44278 | S3678-40120 | S3678-40185 |
| VFHM500 | S4601-44298 | S3678-40130 | S3678-40195 |
| VFHM540 | S4601-44323 | S3678-40145 | S3678-40210 |
| VFHM550 | S4601-44330 | S3678-40150 | S3678-40215 |
| VFHM600 | S4601-44367 | S3678-40165 | S3678-40230 |
| VFHM650 | S4601-44409 | S3678-40190 | S3678-40255 |
| VFHM700 | S4601-44451 | S3678-40210 | S3678-40275 |
| VFHM750 | S4601-44485 | S3678-40225 | S3678-40290 |

THE END

EKKO[®]

MATERIAL HANDLING EQUIPMENT

MOVING AHEAD
