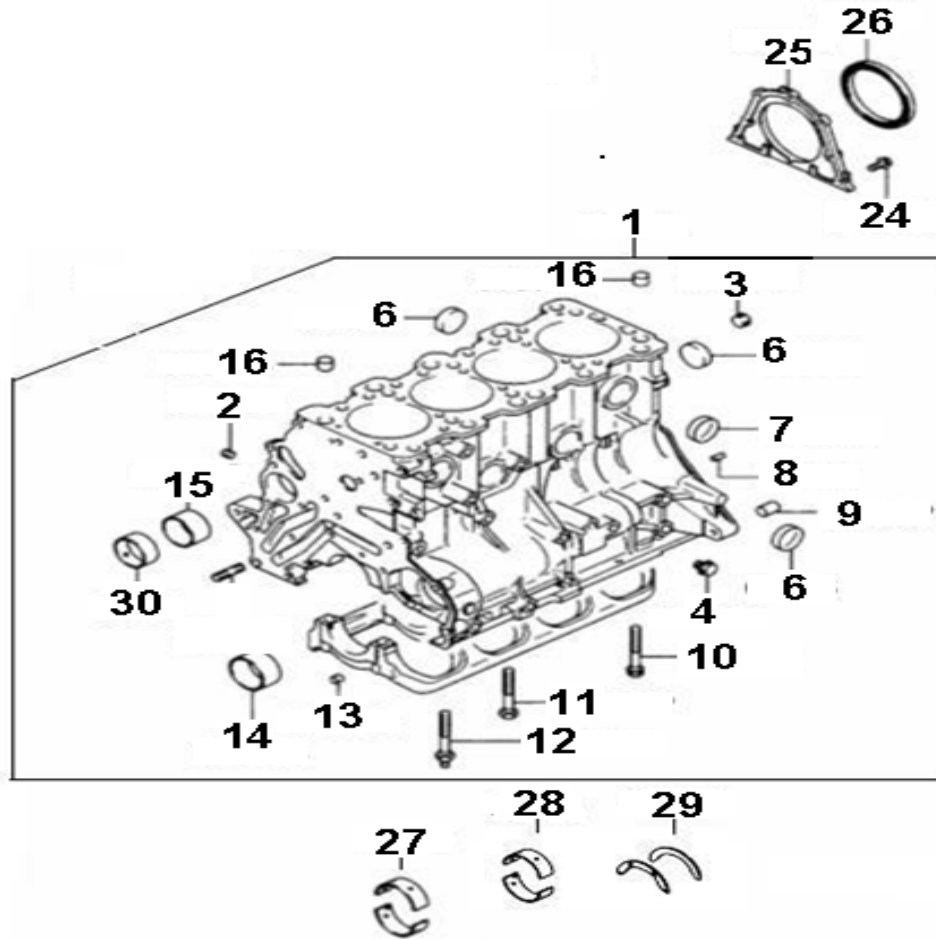




**POWER SOLUTIONS
INTERNATIONAL**

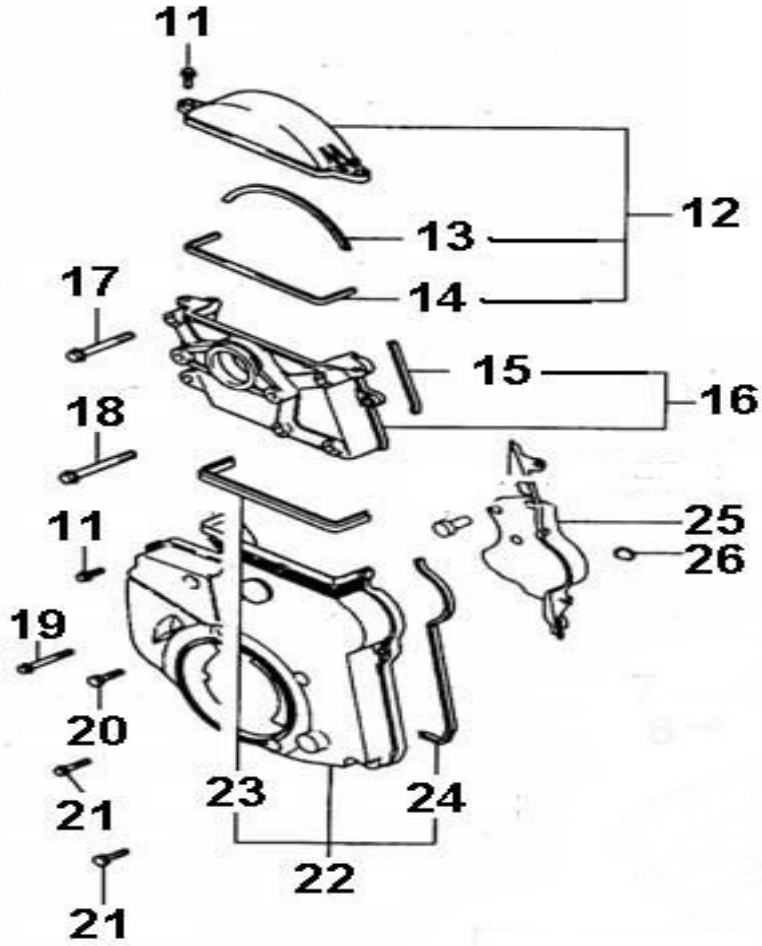
ENGINE (CERT)

CYLINDER BLOCK



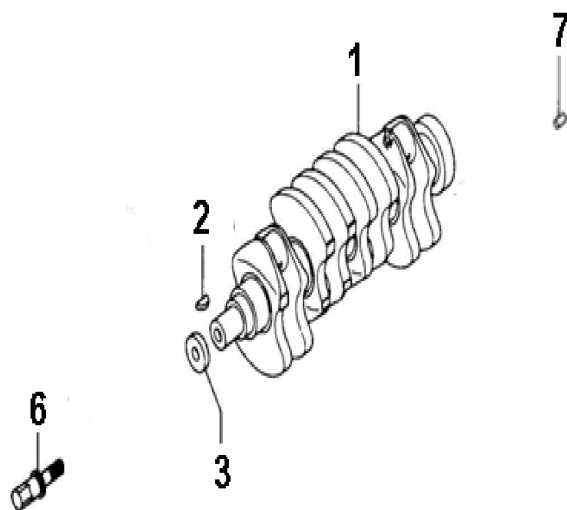
Call Out Number	Part Number	Part Description	Qty
1	NSS	NOT SOLD SEPERATELY	1
2	Z800310	PLUG, TAPPER	2
3	Z800311	PLUG, TAPER	1
4	Z800312	PLUG	1
5	Z800313	PLUG, TAPER	1
6	Z800308	CAP	7
7	Z800317	CAP	2
8	Z800314	PIN, DOWEL	2
9	Z800318	BUSHING, KNOCK	2
10	Z800323	BOLT, BEARING CAP	2
11	Z800321	BOLT, BEARING CAP	7
12	Z800322	BOLT, BEARING CAP	1
13	Z800309	BUSHING, KNOCK	2
14	Z800335	BRG BALN, RR LH	1
14	Z800336	BRG BALN, RR LH	1
15	Z800337	BRG BALN, RR RH	1
16	Z800320	BUSHING, KNOCK	2
24	Z800109	BOLT, FLANGE	5
25	Z800107	HSG, RR OIL SEAL	1
26	Z800108	SEAL, OIL	1
27	Z800324	BEARING, CRANKSHAFT	4
27	Z800326	BEARING, CRANKSHAFT	4
27	Z800325	BEARING, CRANKSHAFT	4
27	Z800328	BEARING, CRANKSHAFT	4
27	Z800327	BEARING, CRANKSHAFT	4
28	Z800328	BEARING, CRANKSHAFT	1
28	Z800324	BEARING, CRANKSHAFT	1
28	Z800326	BEARING, CRANKSHAFT	1
28	Z800327	BEARING, CRANKSHAFT	1
28	Z800325	BEARING, CRANKSHAFT	1
29	Z800329	THRUST, BEARING	1
30	NSS	NOT SOLD SEPERATELY	1
100	Z800252	HOUSING, WATER INLET(SIDE OF BLOCK)	1

FRONT COVER



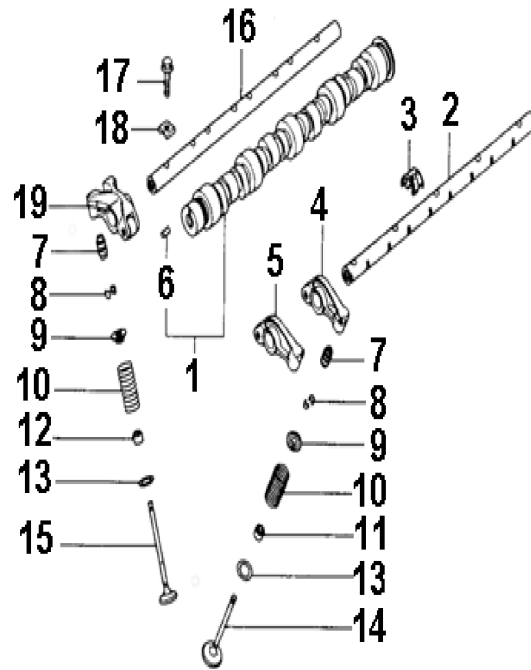
Call Out Number	Part Number	Part Description	Qty
11	Z800132	BOLT, FLANGE	8
12	Z800131	COVER, T/BELT	1
13	NSS	NOT SOLD SEPERATELY	1
14	NSS	NOT SOLD SEPERATELY	1
15	NSS	NOT SOLD SEPERATELY	1
16	Z800297	FR COVER, MID T BELT	1
17	Z800249	BOLT, FLANGE	1
18	Z800299	BOLT, FLANGE	1
19	Z800134	BOLT, FLANGE	1
20	Z800135	BOLT	2
21	Z800133	BOLT, FLANGE	2
22	Z800127	COVER, T/BELT	1
23	NSS	NOT SOLD SEPERATELY	1
24	NSS	NOT SOLD SEPERATELY	1
25	Z800130	COVER, T/BELT	1
26	Z800128	RUBBER PLUG	1

CRANKSHAFT



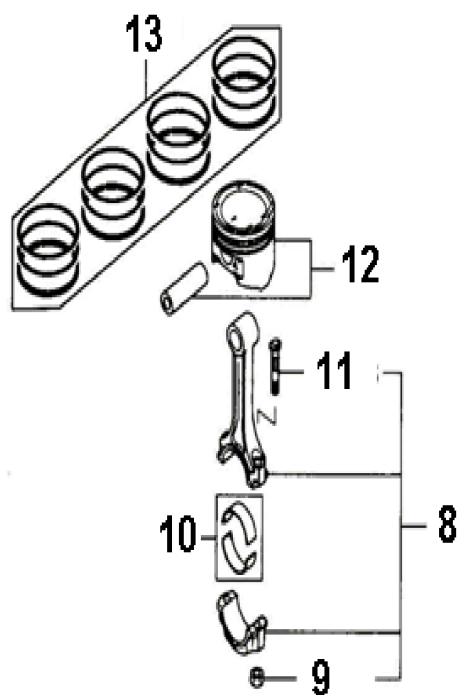
Call Out Number	Part Number	Part Description	Qty
1	Z800173	CRANKSHAFT	1
2	Z800174	KEY	1
3	Z800177	WASHER	1
6	Z800176	BOLT,C/SPROCKET	1
7	Z800171	PIN, DOWEL	1

CAMSHAFT AND VALVE TRAIN



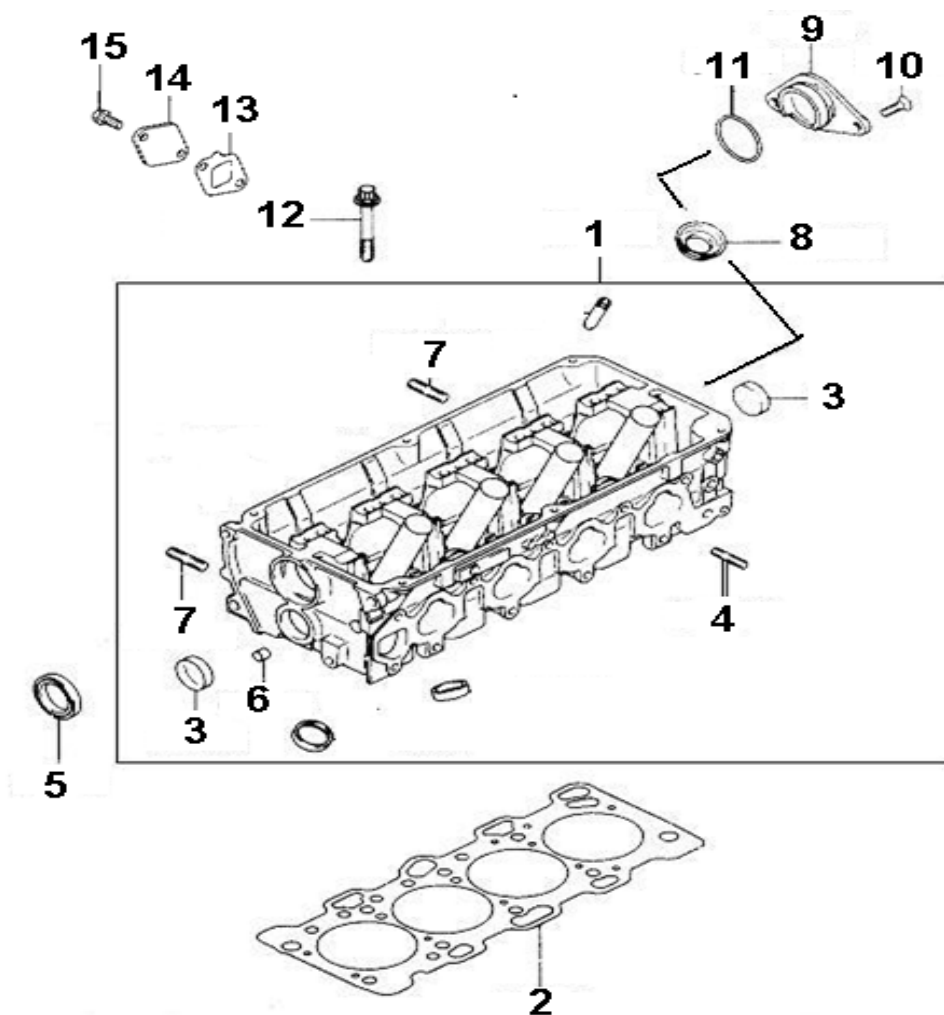
Call Out Number	Part Number	Part Description	Qty
1	Z34000112	CAMSHAFT	1
2	Z800226	SHAFT, ROCKER	1
3	Z800369	SPRING, RKR SHFT	4
4	Z800221	ARM, ROCKER	4
5	Z800220	ARM, ROCKER	4
6	Z800363	PIN, DOWEL	1
7	Z800211	LIFTER	16
8	Z800367	SPRING, VLV LOCK	32
9	Z800370	SPRING, VLV RTN	16
10	Z800215	SPRING, VALVE	16
11	Z800219	SEAL VALVE STEM	8
12	Z800219	SEAL VALVE STEM	8
13	Z800217	SEAT, VLV SPRING	16
14	Z800213	VALVE, INTAKE	8
15	Z800366	VALVE, EXHAUST	8
16	Z800225	SHAFT, ROCKER	1
17	Z800224	BOLT, FLANGE	13
18	Z800227	CAP, ROCKER SHFT	13
19	Z800222	ARM, ROCKER	4

PISTON AND ROD



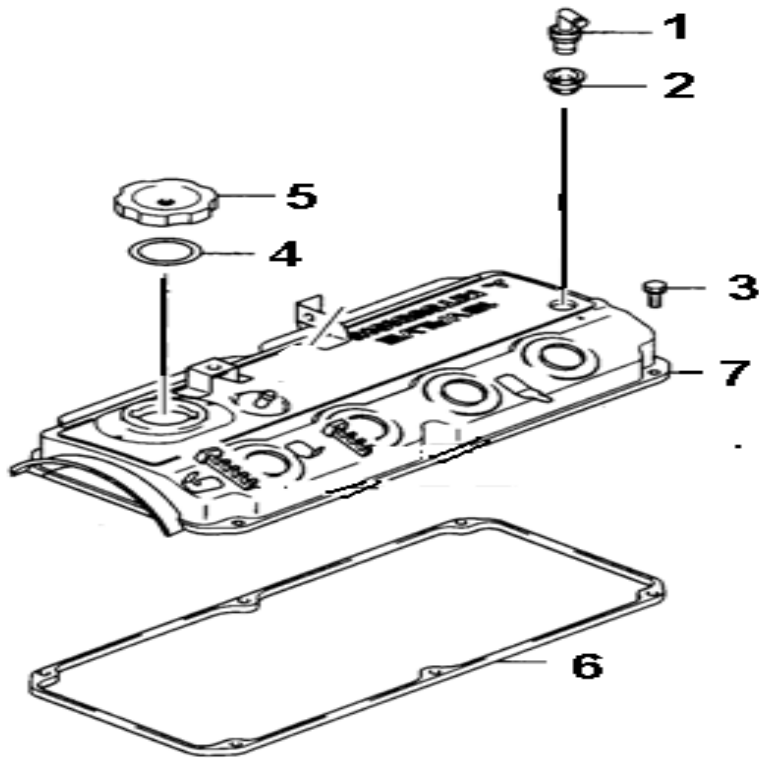
Call Out Number	Part Number	Part Description	Qty
8	Z800167	ROD, CONNECTING	4
9	Z800356	NUT	8
10	Z800354	BEARING, C/ROD (NO COLOR)	4
10	Z800355	BEARING, C/ROD (BLUE)	4
10	Z800353	BEARING, C/ROD (YELLOW)	4
11	Z800352	BOLT, C/ROD	8
12	Z800165	PISTON W/PIN (STD C)	4
12	Z800164	PISTON W/PIN (STD B)	4
12	Z800163	PISTON W/PIN (STD A)	4
13	Z800358	RING SET, PISTON	1

CYLINDER HEAD



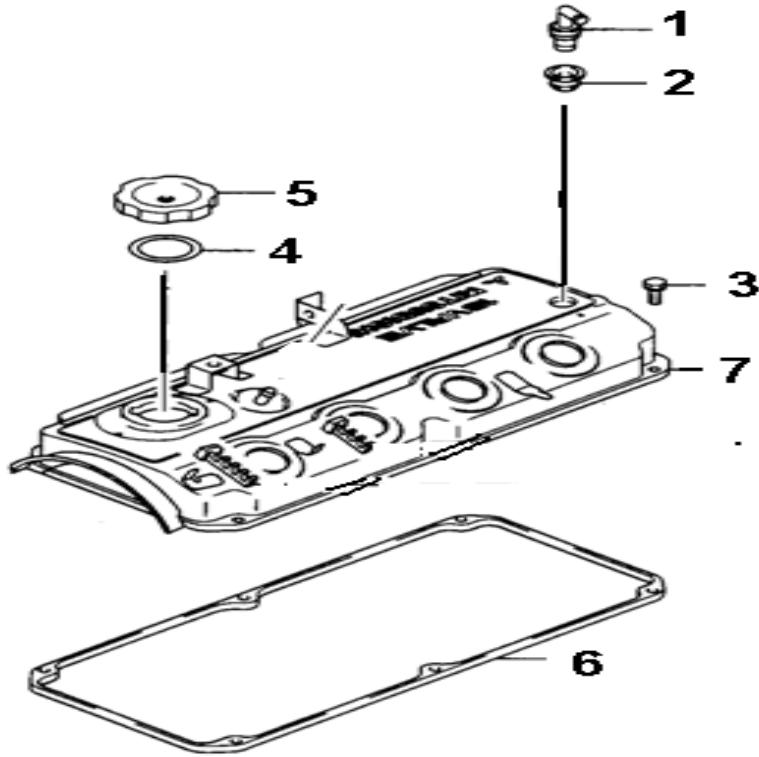
Call Out Number	Part Number	Part Description	Qty
1	Z801003	HEAD, CYLINDER	1
2	Z30100441	GASKET, CYL HEAD 2.4L	1
3	Z800308	CAP	2
4	Z800139	STUD	3
5	Z800145	SEAL, OIL	1
6	Z800309	BUSHING, KNOCK	2
7	Z35001137	STUD	2
8	Z800143	SEAL, SPARK PLUG (LOWER)	4
9	Z800144	BASE	1
10	Z800149	SCREW	2
11	Z800307	O-RING	1
12	Z800150	BOLT, CYLINDER HEAD	10
13	Z800146	GASKET	1
14	Z800147	COVER	1
15	Z800148	BOLT, FLANGE	2

ROCKER COVER



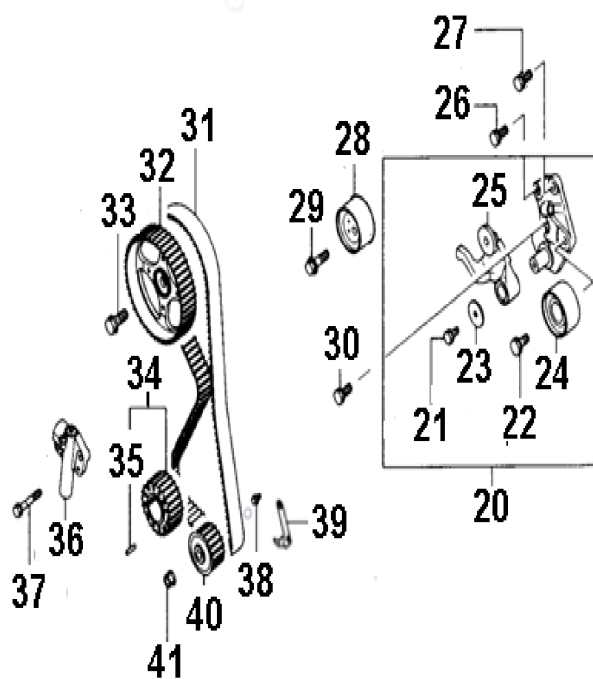
Call Out Number	Part Number	Part Description	Qty
1	Z800154	VALVE, PCV	1
2	Z32502311	GROMMET, PCV	1
3	Z800155	BOLT	6
4	NSS	NOT SOLD SEPERATELY	1
5	Z800156	CAP, OIL	1
6	Z800301	GASKET, R/COVER	1
7	Z800152	COVER, ROCKER	1

ROCKER COVER



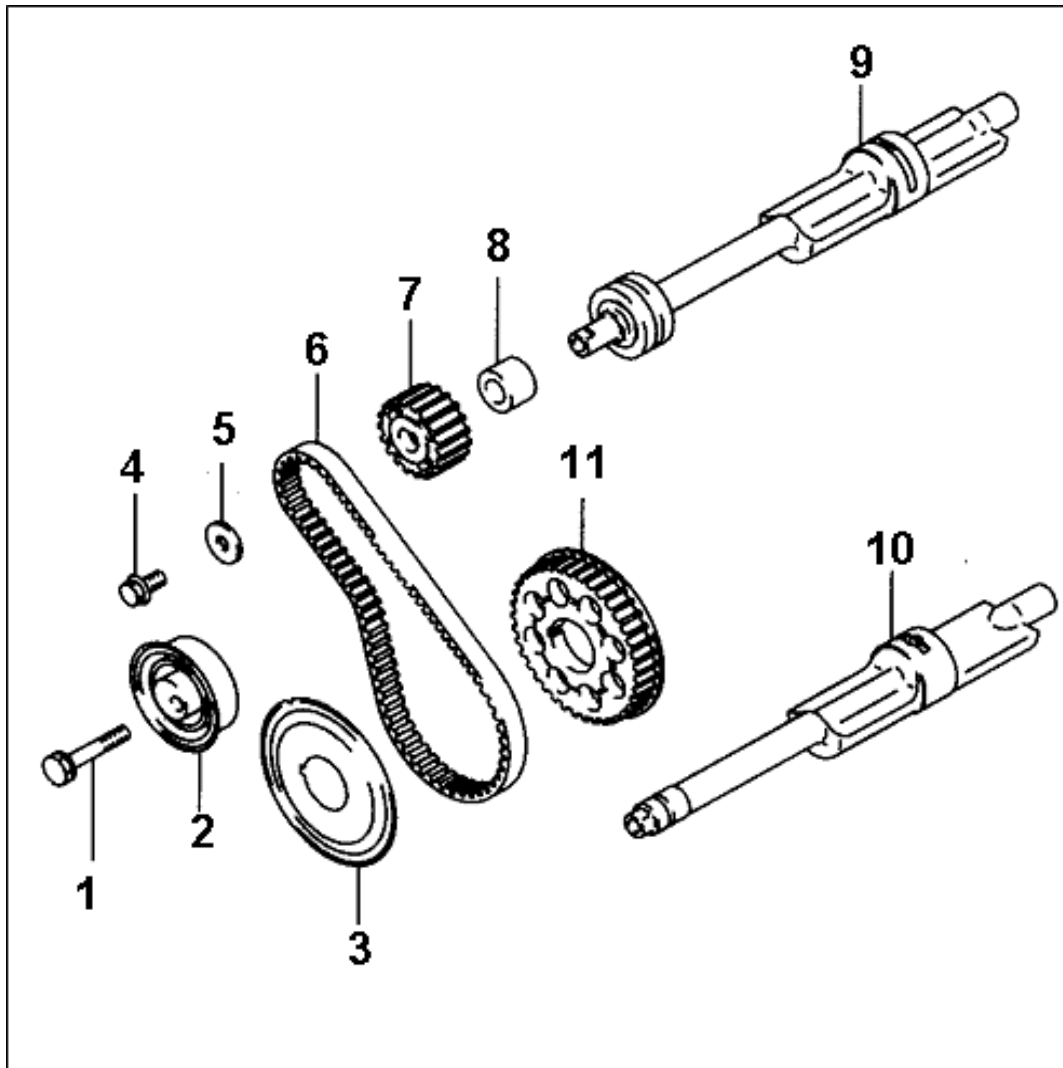
Call Out Number	Part Number	Part Description	Qty
1	Z800154	VALVE, PCV	1
2	Z32502311	GROMMET, PCV	1
3	Z800155	BOLT	6
4	NSS	NOT SOLD SEPERATELY	1
5	Z800156	CAP, OIL	1
6	Z800301	GASKET, R/COVER	1
7	Z800396	COVER, ROCKER	1

TIMING BELT TRAIN



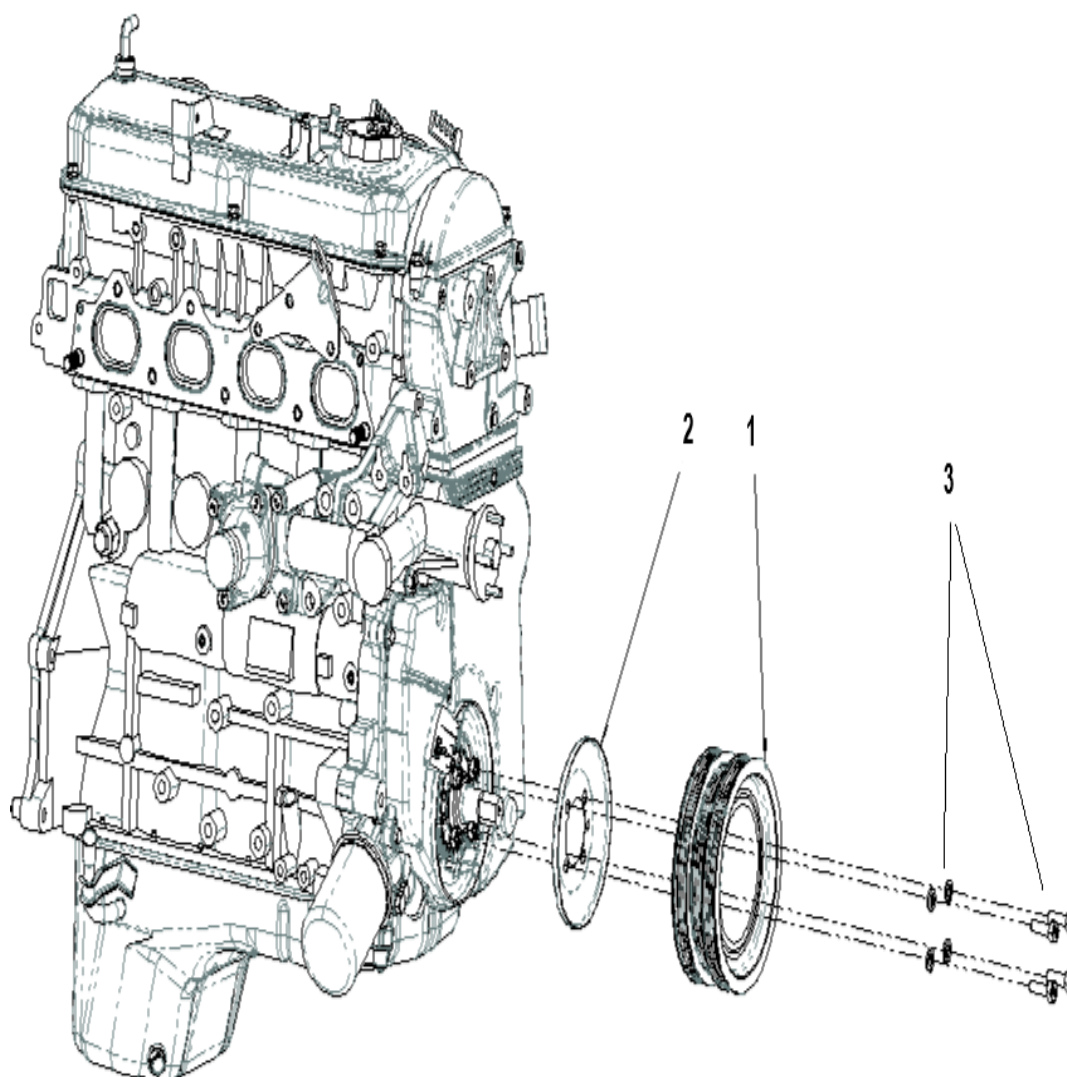
Call Out Number	Part Number	Part Description	Qty
20	Z800202	ASSY,P/TENSIONER	1
21	Z800368	BOLT	1
22	Z800208	BOLT	1
23	Z800364	WASHER	1
24	Z800360	PULLEY, IDLER	1
25	NSS	NOT SOLD SEPERATELY	1
26	Z800194	SEAL, BOLT	1
27	Z800210	BOLT	1
28	Z800203	PULLEY,TENSIONER	1
29	Z800209	BOLT	1
30	Z800208	BOLT	1
31	Z32001070	BELT, TIMING	1
32	Z800362	SPROCKET, 2.4L CAMSHAFT	1
33	Z800201	BOLT, FLANGE	1
34	Z800197	SPROCKET, CRANKSHAFT	1
35	Z800365	PIN, SPRING	1
36	Z800425	TENSIONER, TIMING BELT	1
37	Z800205	BOLT, FLANGE	2
38	Z800125	BOLT, FLANGE	2
39	Z800193	BRACKET, T/IND	1
40	Z800526	SPROCKET, OIL PUMP	1
41	Z800206	NUT	1

BALANCER SHAFTS AND GEARS



Call Out Number	Part Number	Part Description	Qty
1	Z800191	BOLT	1
2	Z800189	TENSIONER,T/BELT	1
3	Z800186	FLANGE	1
4	Z800183	BOLT, FLANGE	1
5	Z800190	WASHER	1
6	Z32001071	BELT, TIMING	1
7	Z800185	SPROCKET, C BALN	1
8	Z800187	SPACER	1
9	Z800374	SHAFT, CTN BALN	1
10	Z800372	COUNTR BAL SHFT	1
11	Z800184	SPROCK, CRANKSHAFT	1

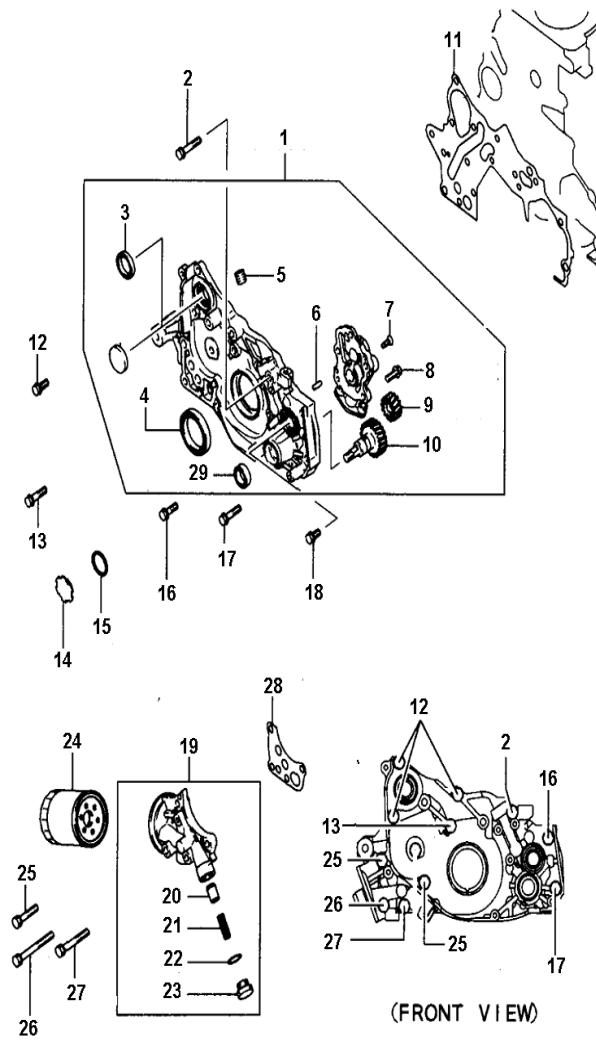
CRANKSHAFT DAMPER PULLEY



ZBOM24L-2006

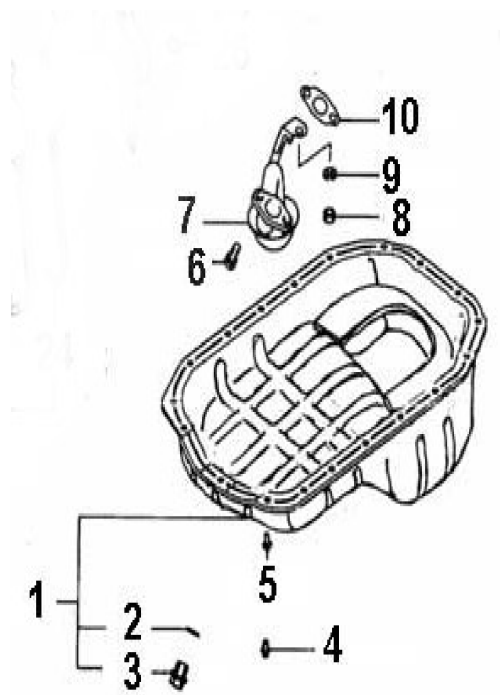
Call Out Number	Part Number	Part Description	Qty
1	Z38901440	PULLEY, CRANKSHAFT DAMPER	1
2	Z30100436	SHIELD, EXCLUDER	1
3	Z800178	BOLT	4

OIL PUMP



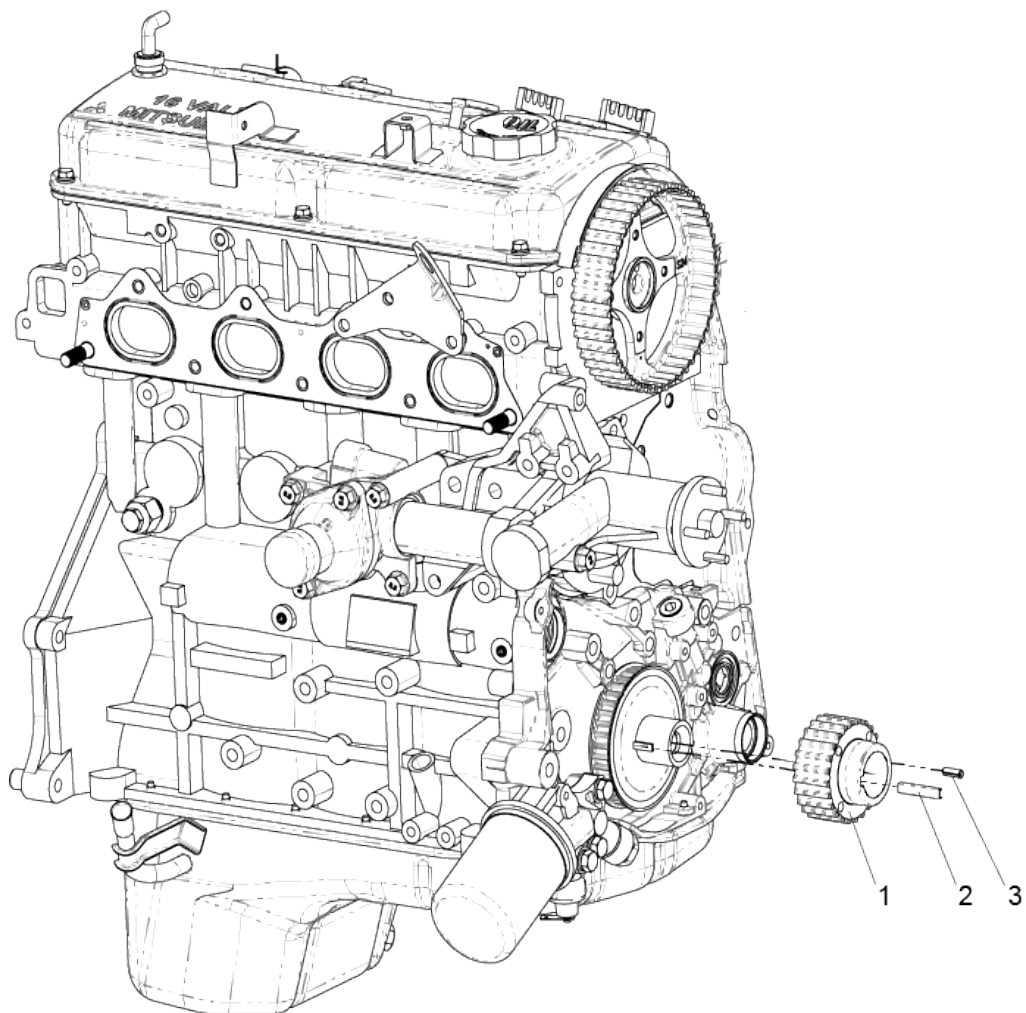
Call Out Number	Part Number	Part Description	Qty
1	Z800276	HOUSING, O/PUMP	1
2	Z800263	BOLT, FLANGE	1
3	Z800377	SEAL, OIL	1
4	Z800376	SEAL, OIL	1
5	Z800382	PLUG, TAPER	1
6	Z800314	PIN, DOWEL	2
7	Z800381	SCREW	1
8	Z800231	BOLT, FLANGE	4
9	NSS	NOT SOLD SEPERATELY	1
10	NSS	NOT SOLD SEPERATELY	1
11	Z800277	GASKET, FRONT COVER	1
12	Z800261	BOLT, FLANGE	3
13	Z800284	BOLT	1
14	Z800279	CAP, PLUG	1
15	Z800278	O-RING	1
16	Z800262	BOLT, FLANGE	1
17	Z800282	BOLT, FLANGE	1
18	Z800183	BOLT, FLANGE	1
19	Z800292	BRACKET,OIL RELIEF VALVE	1
20	NSS	NOT SOLD SEPERATELY	1
21	NSS	NOT SOLD SEPERATELY	1
22	NSS	NOT SOLD SEPERATELY	1
23	NSS	NOT SOLD SEPERATELY	1
24	Z801002	FILTER, OIL	1
25	Z800294	BOLT	2
26	Z800296	BOLT	1
27	Z800295	BOLT	1
28	Z800293	GASKET, O/FILTER	1
29	Z800380	SEAL, OIL	1

OIL PAN



Call Out Number	Part Number	Part Description	Qty
1	Z800123	PAN, OIL	1
2	Z800345	GASKET, DRAIN PLUG	1
3	Z800344	PLUG, OIL DRAIN	1
4	Z800124	BOLT, FLANGE	17
5	Z800125	BOLT, FLANGE	2
6	Z800290	BOLT	2
7	Z800286	ASSY, OIL SCREEN	1
8	Z800288	NUT	1
9	Z800289	WASHER, SPRING	1
10	Z800287	GASKET, O/SCREEN	1

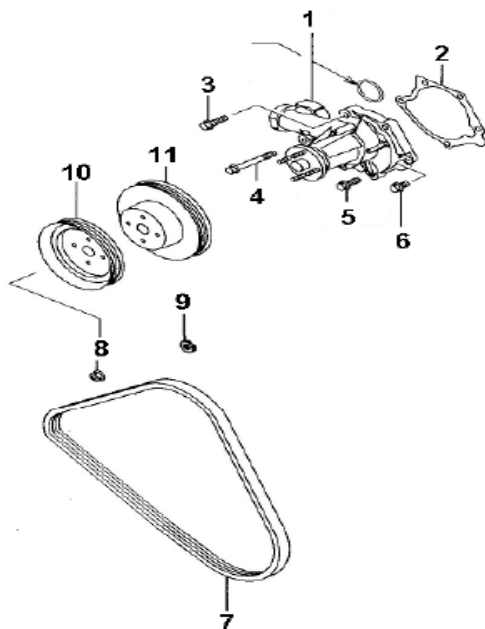
SPROCKET



Z38901340

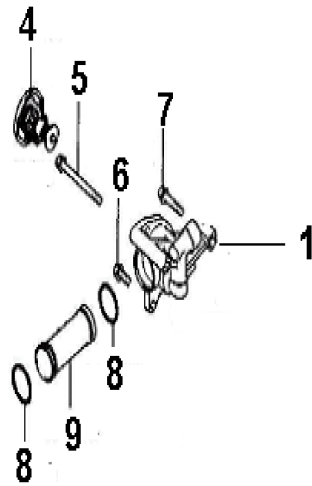
Call Out Number	Part Number	Part Description	Qty
1	Z31500141	SPROCKET, TIMING PTO	1
2	Z31500155	SHIM	1
3	Z31500151	PIN, SPRING	1

WATER PUMP



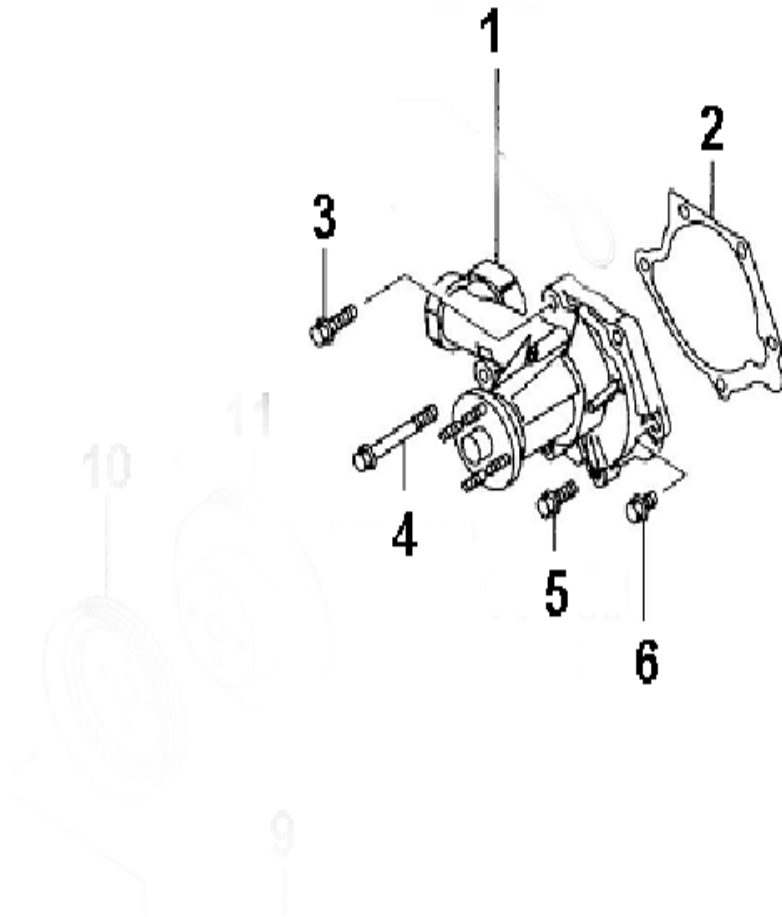
Call Out Number	Part Number	Part Description	Qty
1	Z800244	PUMP, WATER	1
2	Z800245	GASKET, W/PUMP	1
3	Z800248	BOLT, FLANGE	1
4	Z800249	BOLT, FLANGE	1
5	Z800238	BOLT, FLANGE	2
6	Z800246	BOLT, FLANGE	1
7	Z800271	V-BELT	1
8	Z800269	NUT	4
9	Z800270	WASHER, SPRING	4
10	Z800268	PULLEY, W/PUMP	1
11	Z800267	PULLEY, W/PUMP	1

THERMOSTAT



Call Out Number	Part Number	Part Description	Qty
1	Z800251	HOUSING, THERMOSTAT	1
4	Z800265	THERMOSTAT	1
5	Z800264	BOLT, FLANGE	1
6	Z800261	BOLT, FLANGE	1
7	Z800263	BOLT, FLANGE	1
8	Z800389	O-RING, WATER PIPE	2
9	Z800255	PIPE, WTR INLET	1
101	Z800252	HOUSING, WATER INLET(SIDE OF BLOCK)	1

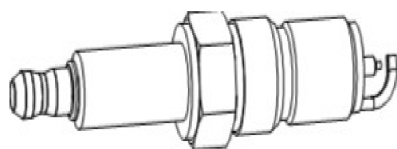
WATER PUMP



ZBOM24L-4004

Call Out Number	Part Number	Part Description	Qty
1	Z800244	PUMP, WATER	1
2	Z800245	GASKET, W/PUMP	1
3	Z800248	BOLT, FLANGE	1
4	Z800249	BOLT, FLANGE	1
5	Z800238	BOLT, FLANGE	2
6	Z800246	BOLT, FLANGE	1

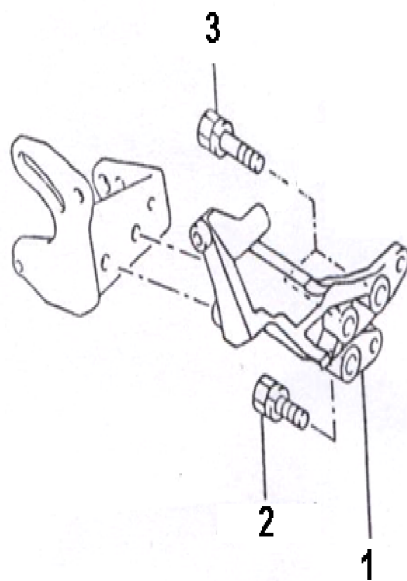
SPARK PLUG



ZBOM24L-1011

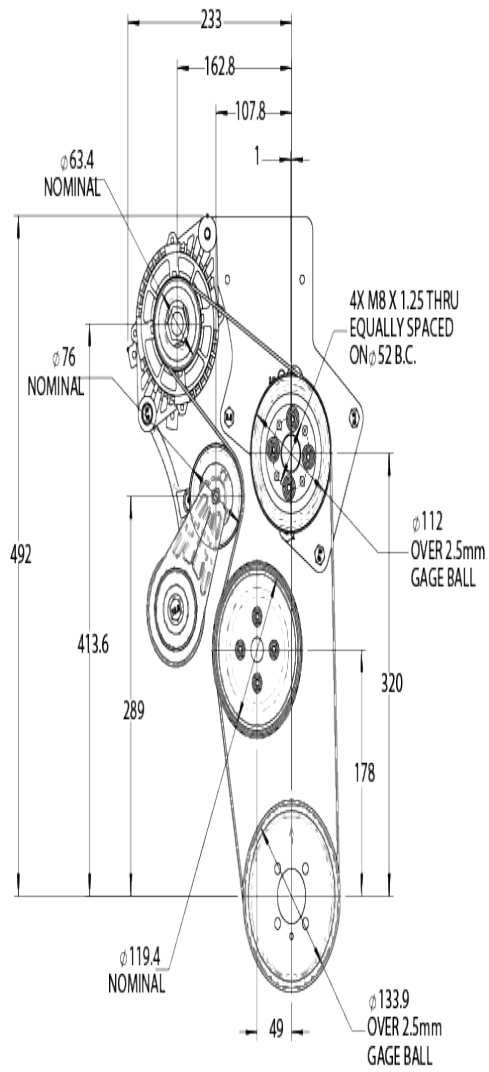
Call Out Number	Part Number	Part Description	Qty
1	Z801001	PLUG, SPARK 12MM	4

PS PUMP BRACKET



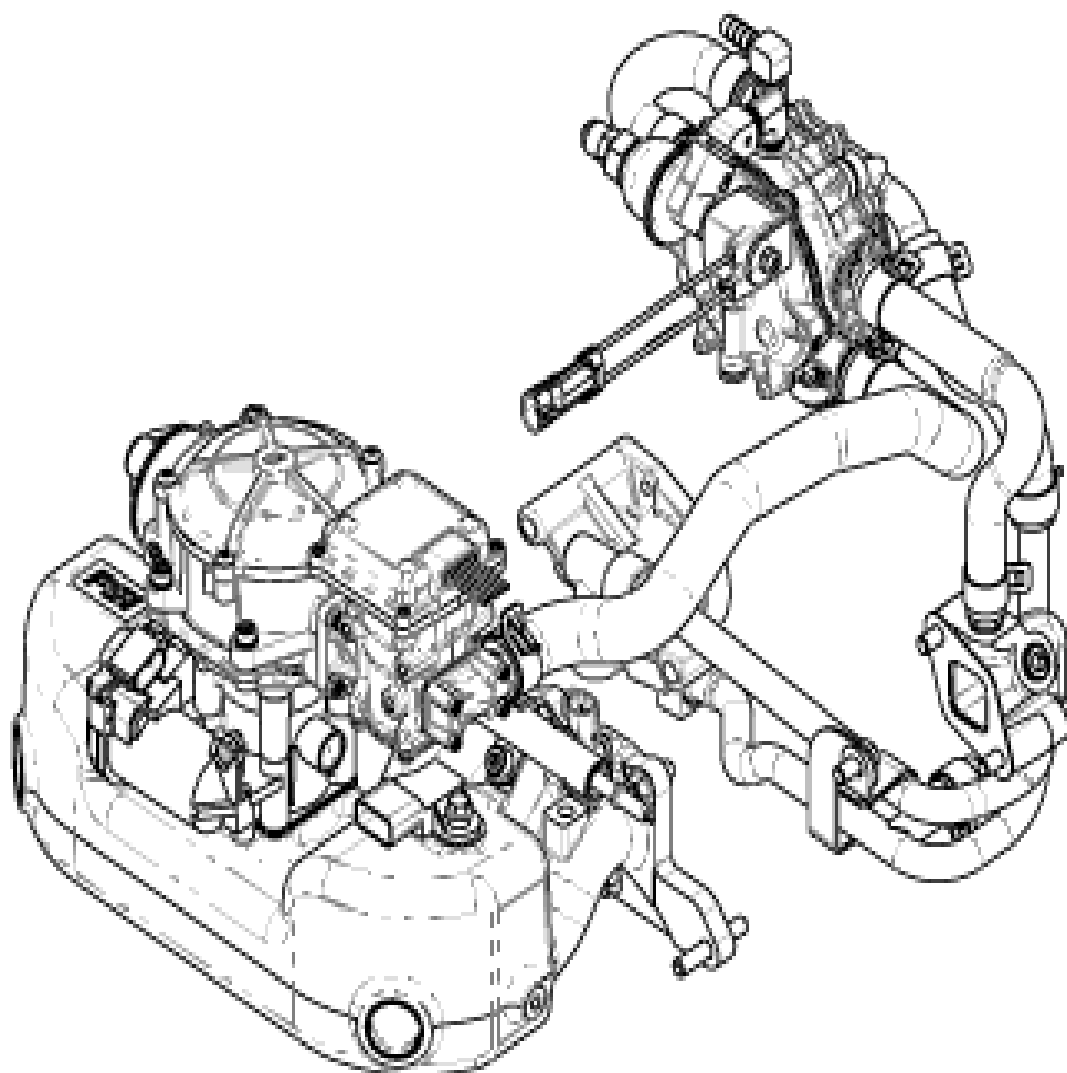
Call Out Number	Part Number	Part Description	Qty
1	Z800272	BRACKET, P/P MNT	1
2	Z800273	BOLT	1
3	Z800274	BOLT	2

FEAD



Call Out Number	Part Number	Part Description	Qty
1	Z33000778	CLAMP, P-CUSH	1
2	Z33001758	BELT	1

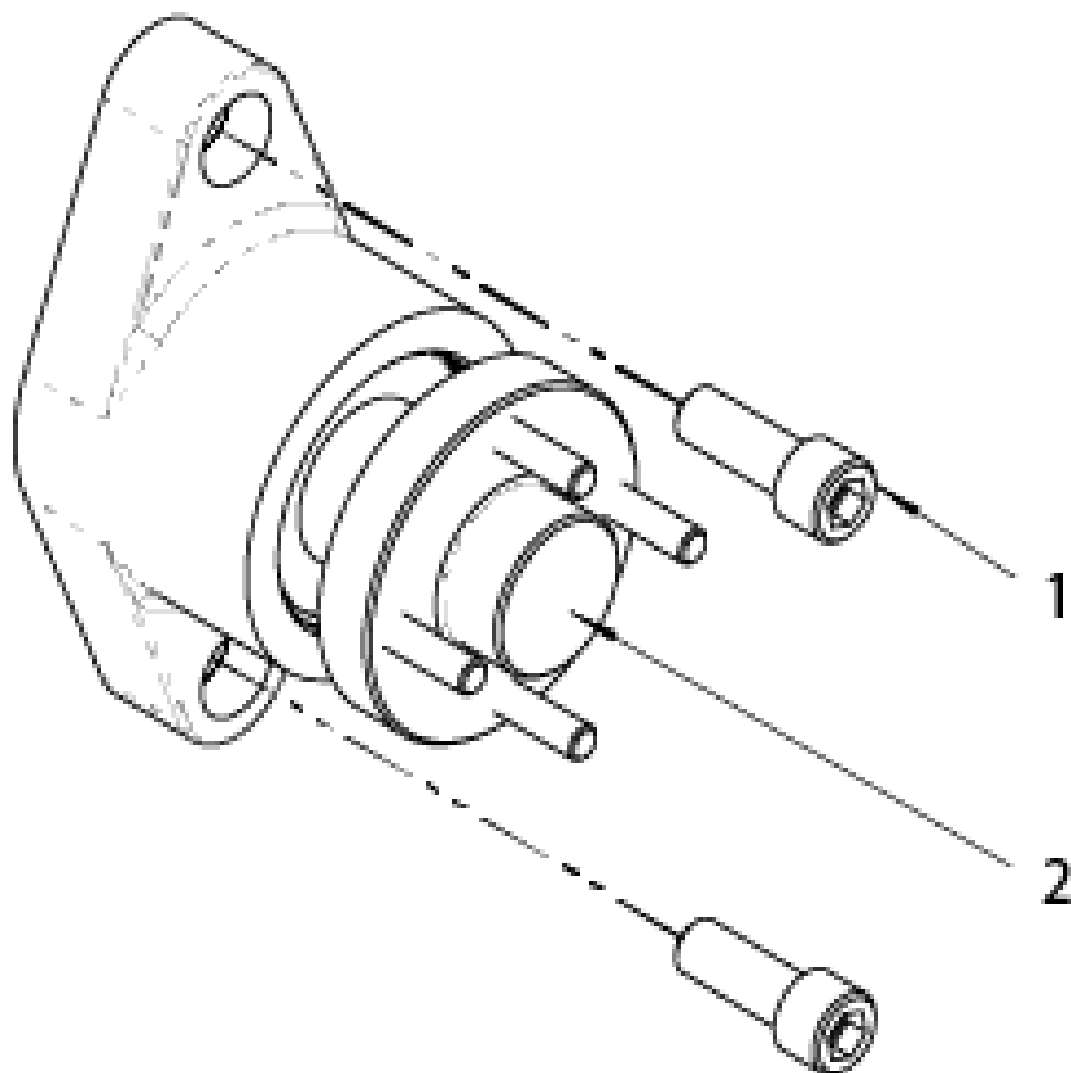
FUEL



Z38020546

Call Out Number	Part Number	Part Description	Qty
10	Z32001089	HOUSING, T-STAT	1
20	Z32501267	SENSOR, O2	2

HI FAN MOUNT



Z38020093

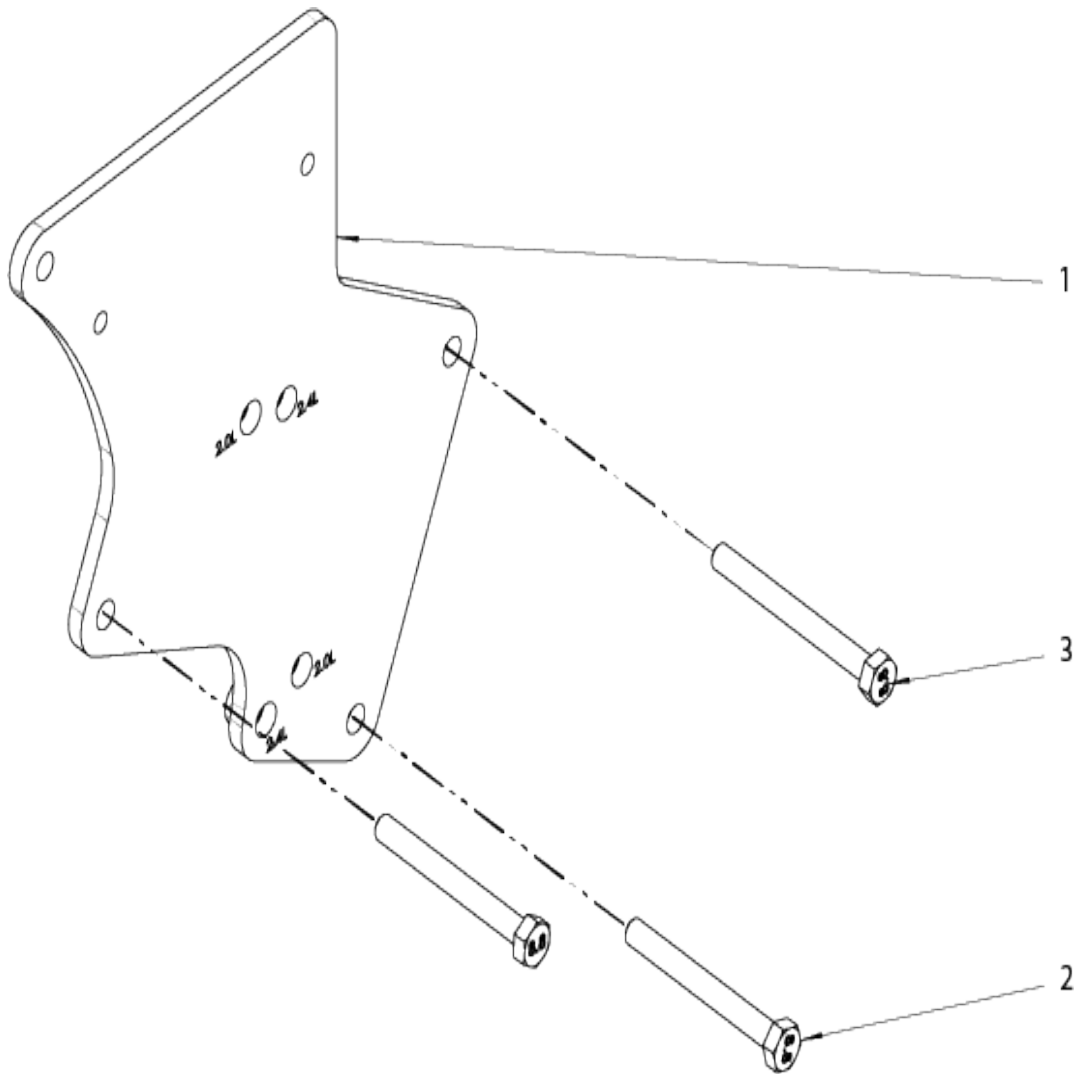
Call Out Number	Part Number	Part Description	Qty
1	Z32001078	HI-FAN HUB ASSY	1
2	Z35000295	BOLT	2

WATER PUMP PULLEY

DRAWING
COMING
SOON

Call Out Number	Part Number	Part Description	Qty
1	Z32001431	PIPE,WATER OUTLET	1
2	Z35000003	NUT	4
3	Z35000285	WASHER, LOCK	4
4	Z35000614	WASHER, FLAT	4

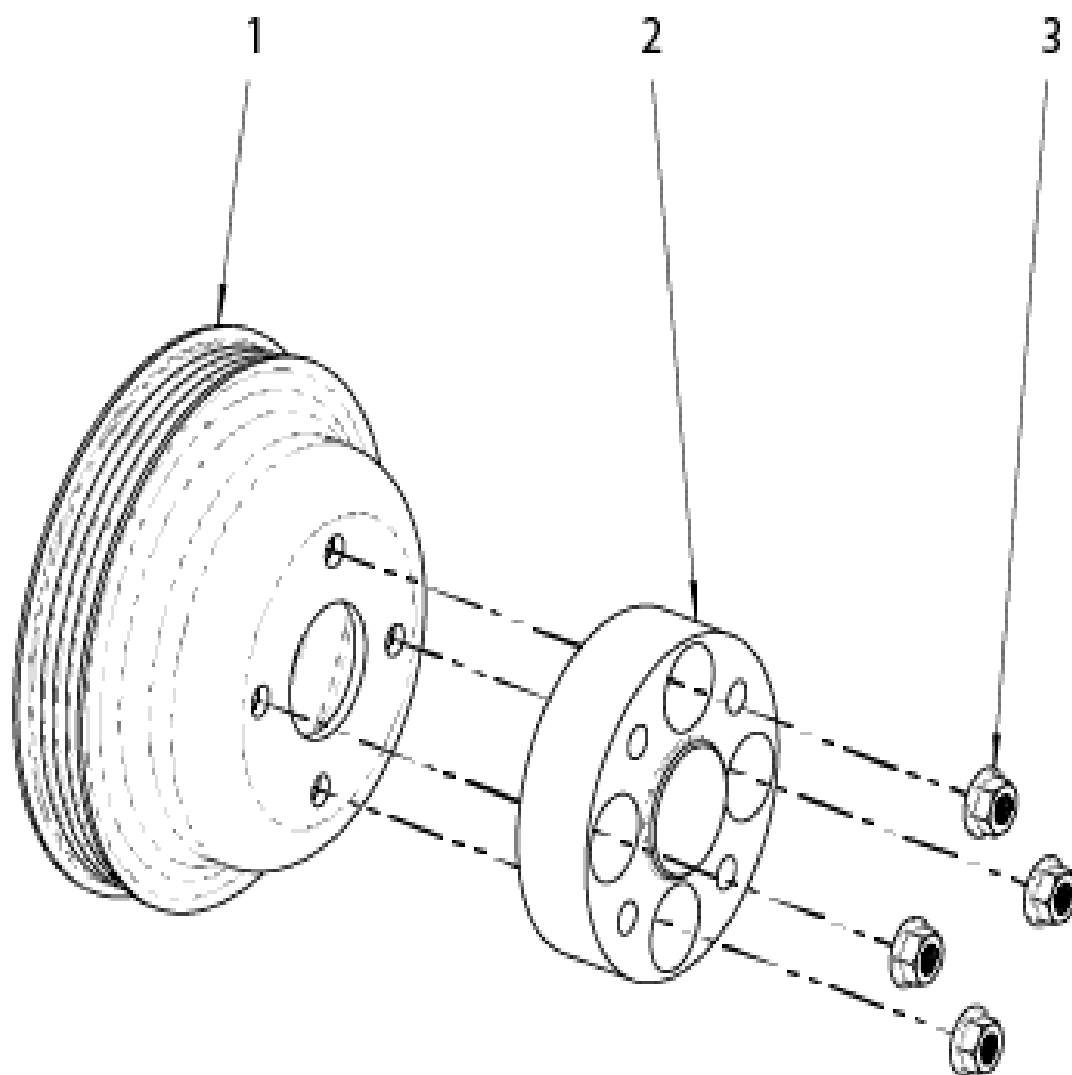
HI FAN / ALT BRACKET



Z38020096

Call Out Number	Part Number	Part Description	Qty
1	Z32001240	Bracket, Hi Fan/Hi Alt	1
2	Z35000944	BOLT, HEX	2
3	Z35000945	BOLT	1

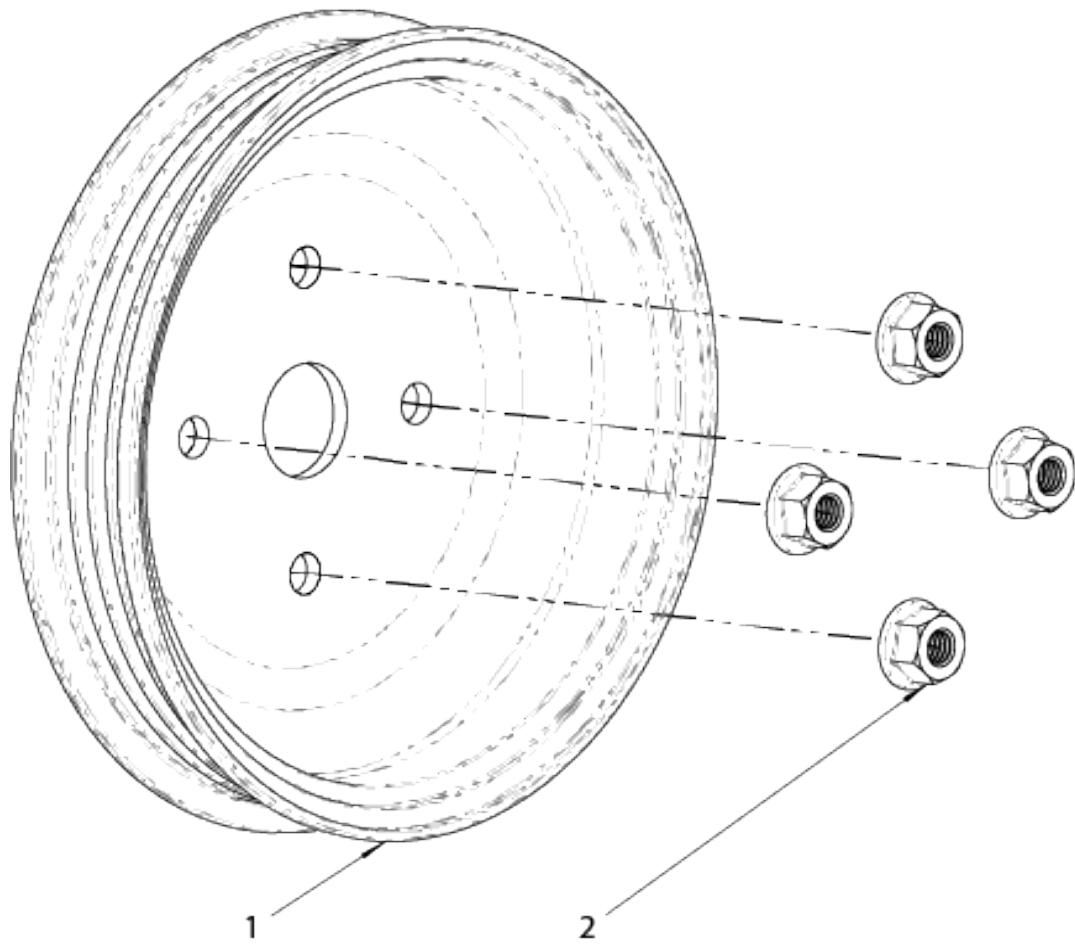
HI FAN PULLEY



Z38020097

Call Out Number	Part Number	Part Description	Qty
1	Z32001239	PULLEY, FAN	1
2	Z32001241	SPACER, FAN	1
3	Z35000699	NUT	4

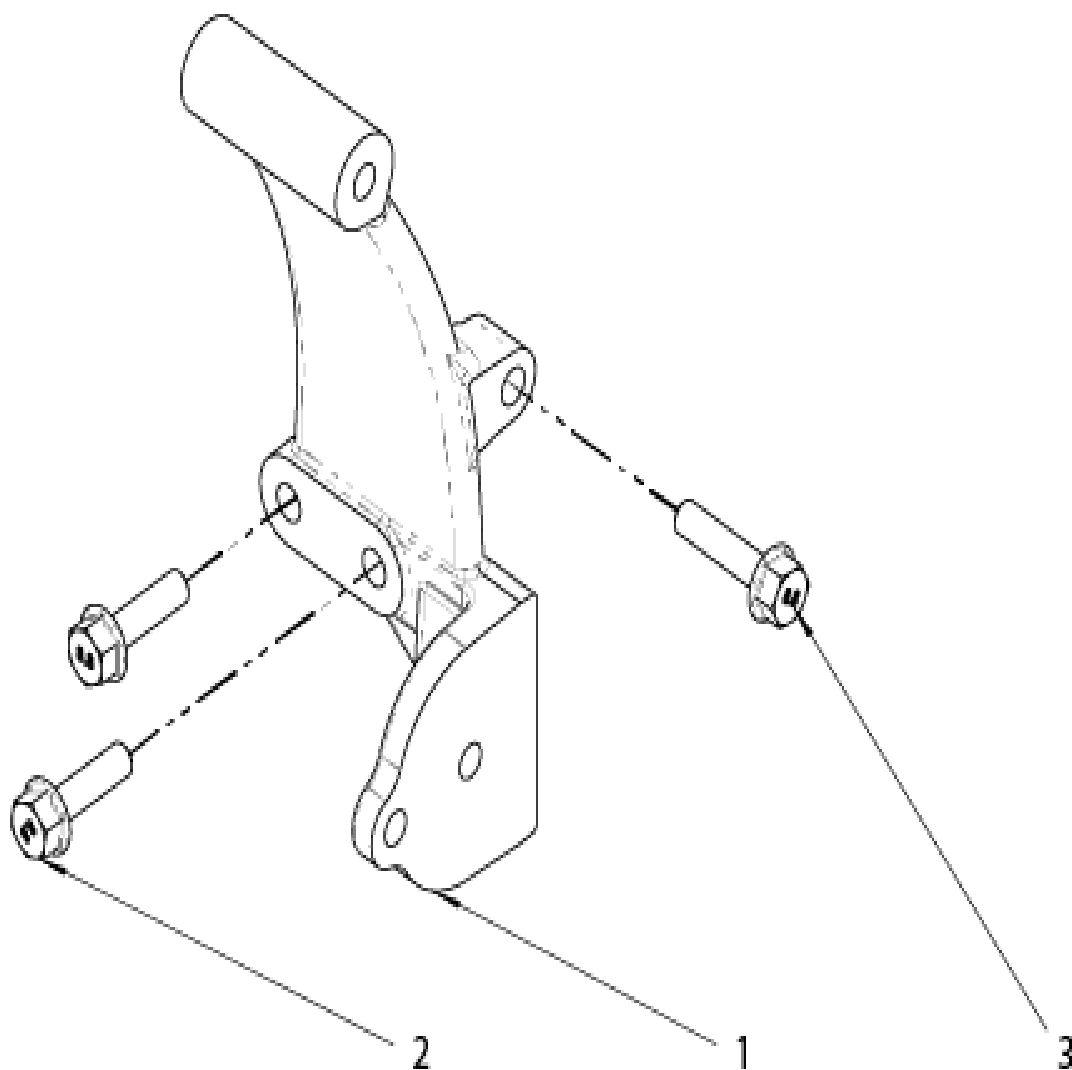
WATER PUMP PULLEY



Z38020098

Call Out Number	Part Number	Part Description	Qty
1	Z32001238	PULLEY, WATER PUMP	1
2	Z35000699	NUT	4

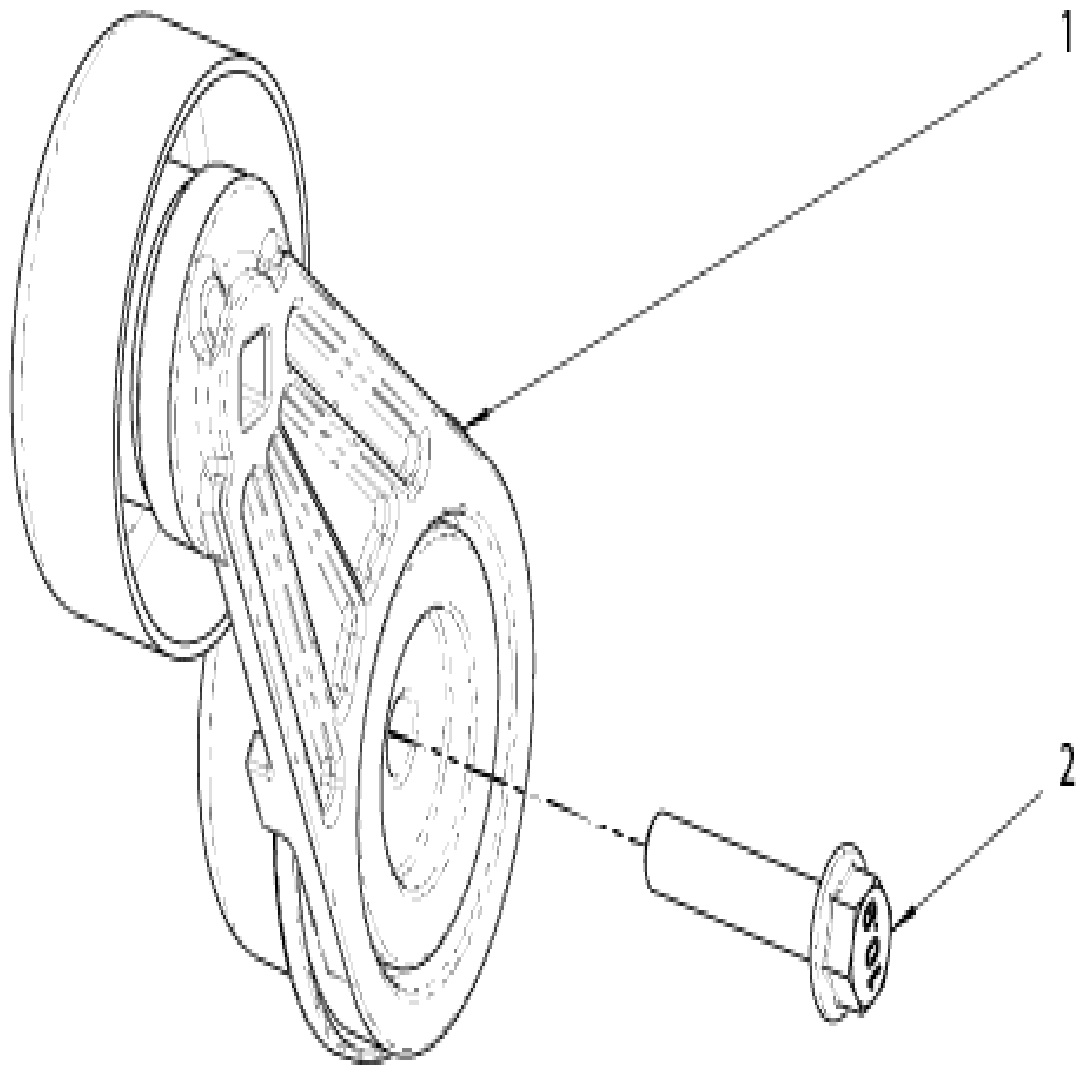
HI ALTERNATOR BRACKET



Z38020099

Call Out Number	Part Number	Part Description	Qty
1	Z33001754	Bracket, Hi Alt/Tensioner	1
2	Z35000533	BOLT	2
3	Z35000172	SCREW	1

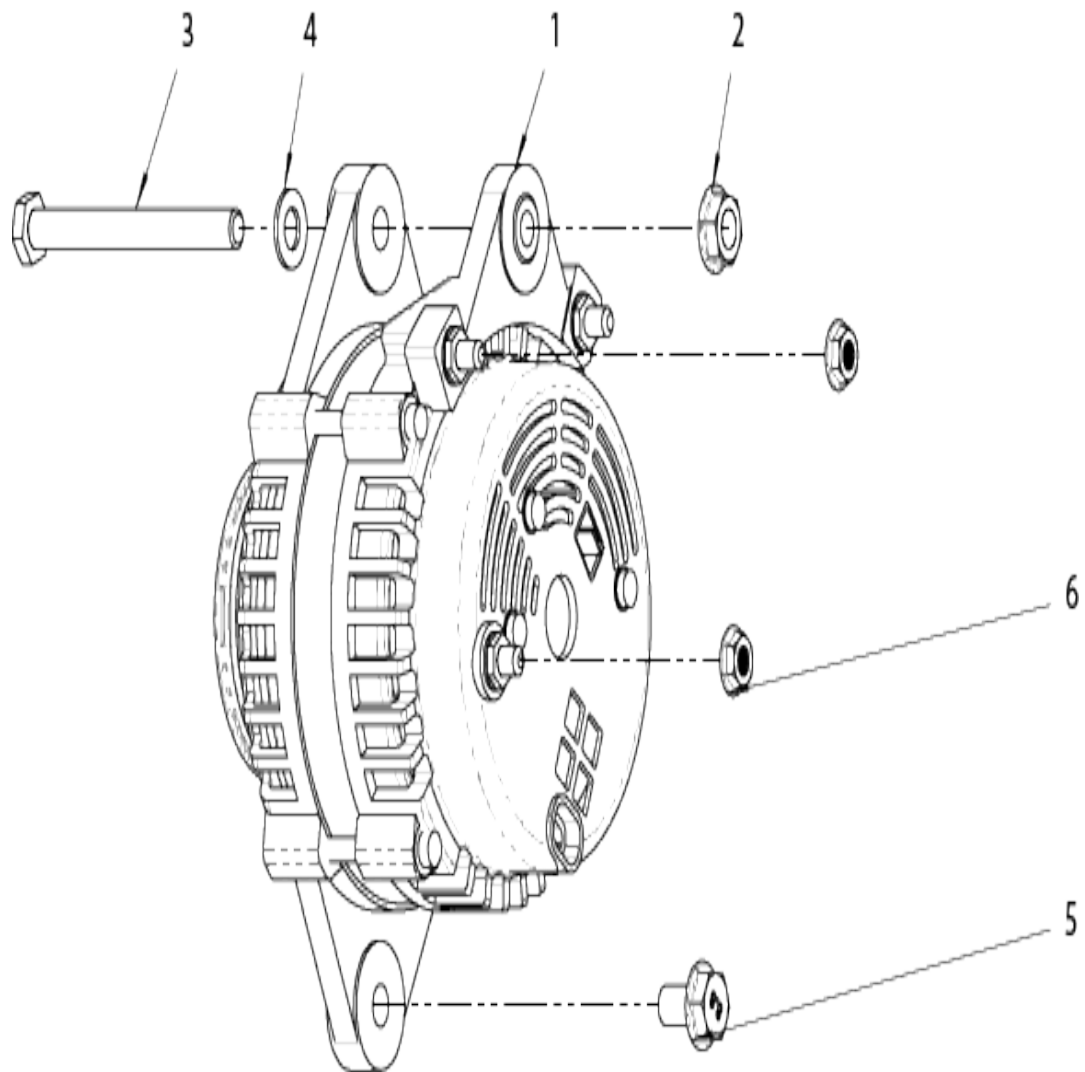
TENSIONER



Z38020133

Call Out Number	Part Number	Part Description	Qty
1	Z33001757	TENSIONER	1
2	Z35000436	BOLT	1

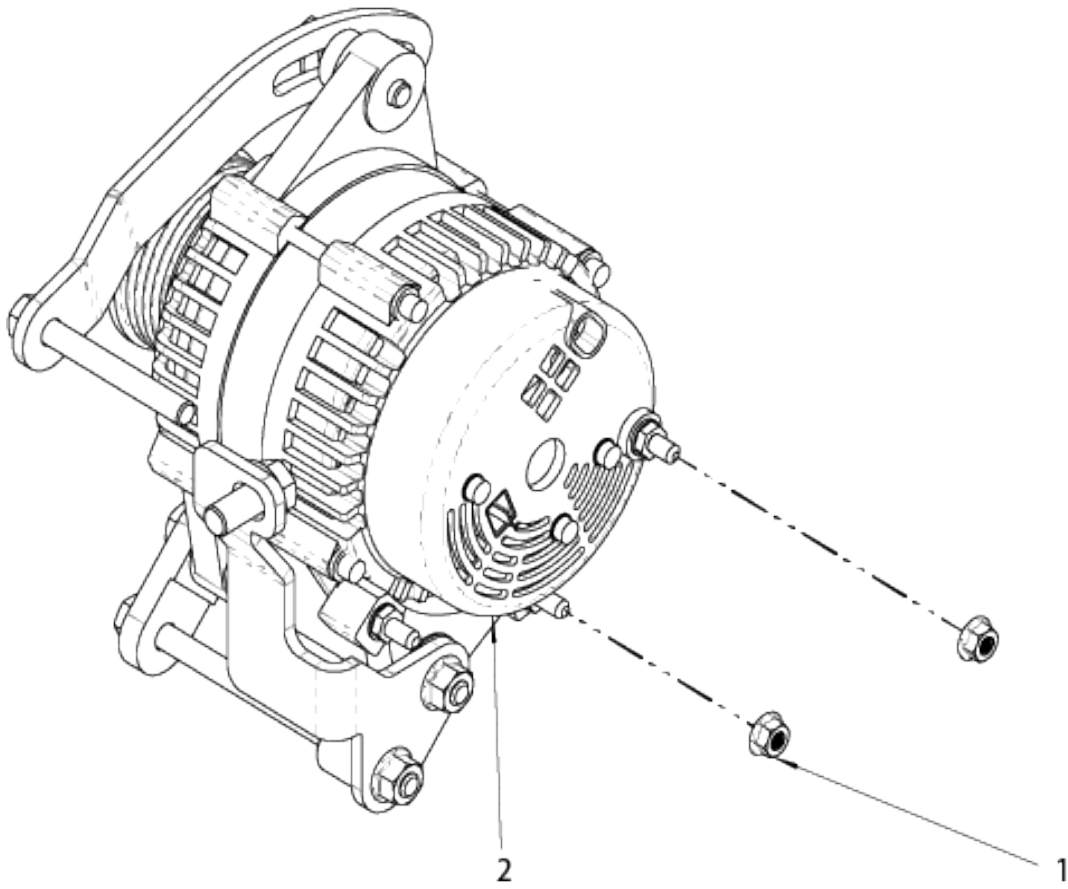
ALTERNATOR



Z38020379

Call Out Number	Part Number	Part Description	Qty
1	Z33001944	ALTERNATOR	1
2	Z35000021	NUT, FLANGE	1
3	Z35000271	BOLT	1
4	Z35000426	WASHER, FLAT	1
5	Z35000532	BOLT	1
6	Z35000699	NUT	2

KIT



Z38020378

Call Out Number	Part Number	Part Description	Qty
1	Z35000699	NUT	2
2	Z38020325	KIT, ALTERNATOR	1

BELT

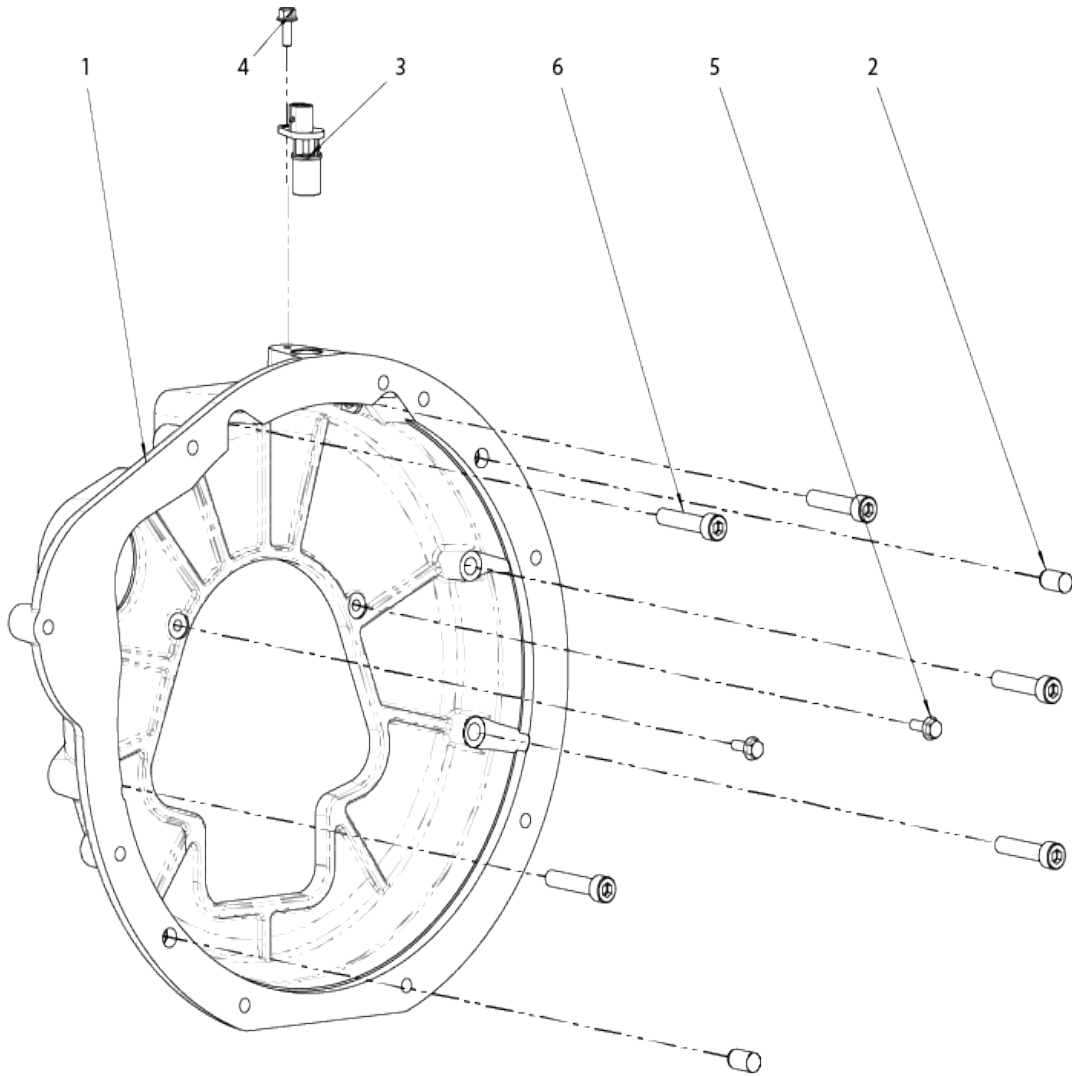


550x200

Z38020141

Call Out Number	Part Number	Part Description	Qty
10	Z32001448	BELT, ALT/WATER PUMP	1
20	Z33000778	CLAMP, P-CUSH	1

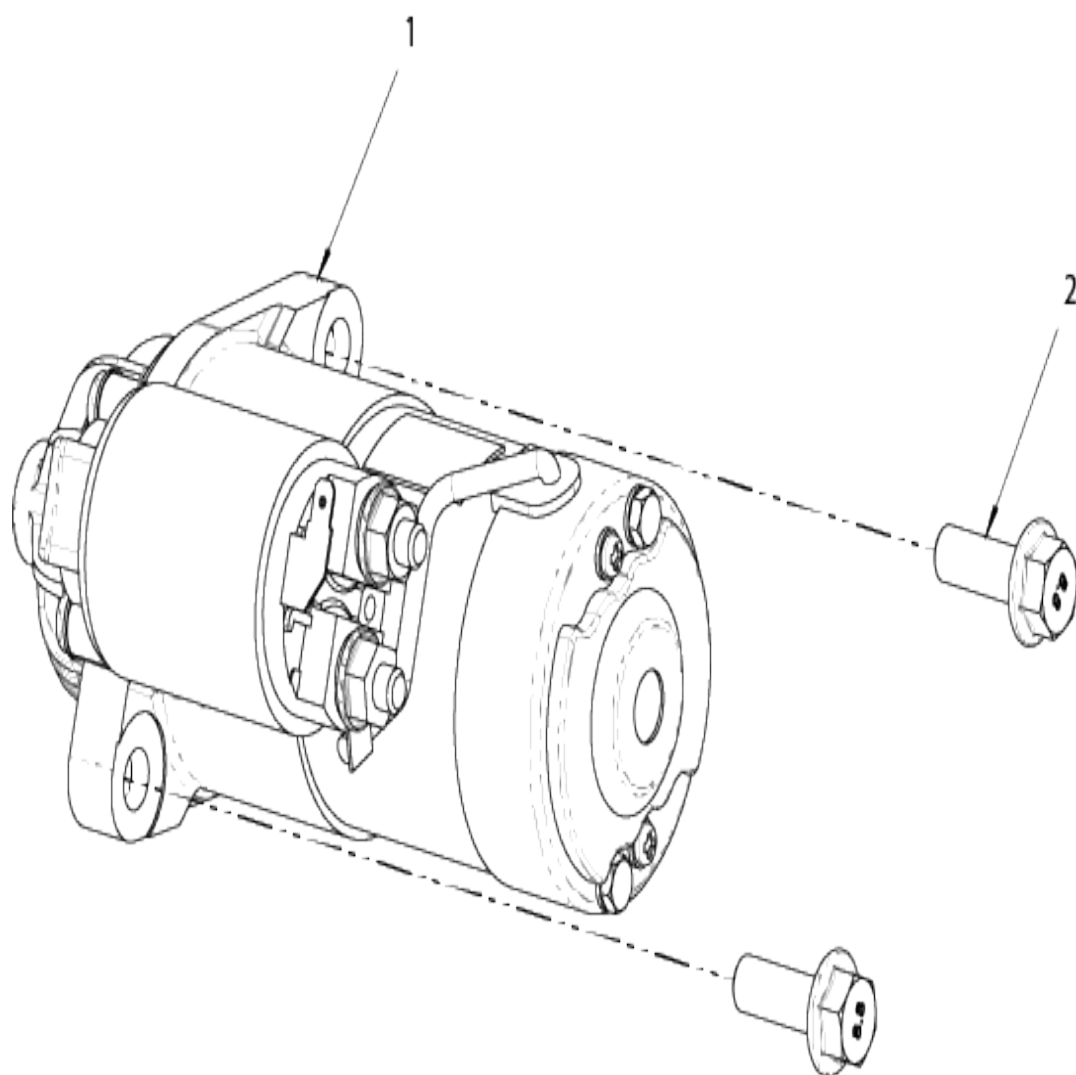
FLYWHEEL HOUSING



Z38020143

Call Out Number	Part Number	Part Description	Qty
1	Z30500498	ADAPTOR, TRANSMISSION	1
2	Z30500501	PIN, DOWEL	2
3	Z33002062	SENSOR, CRK/SHAFT	1
4	Z35000530	BOLT	1
5	Z35000696	BOLT, FLANGE	2
6	Z35001033	SCREW	6

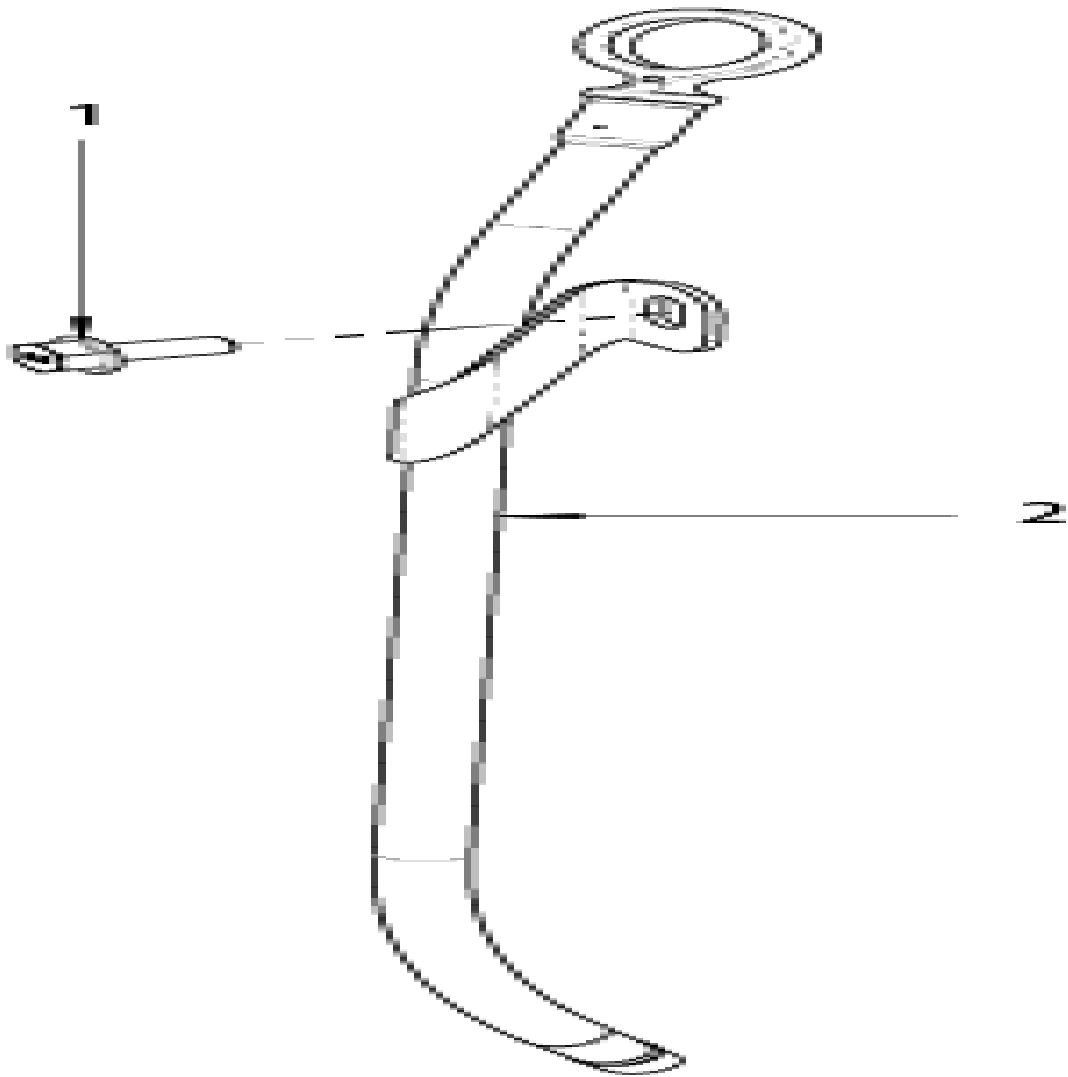
STARTER



Z38020307

Call Out Number	Part Number	Part Description	Qty
1	Z33002222	STARTER	1
2	Z35000949	BOLT	2
3	Z35000021	NUT, FLANGE	1

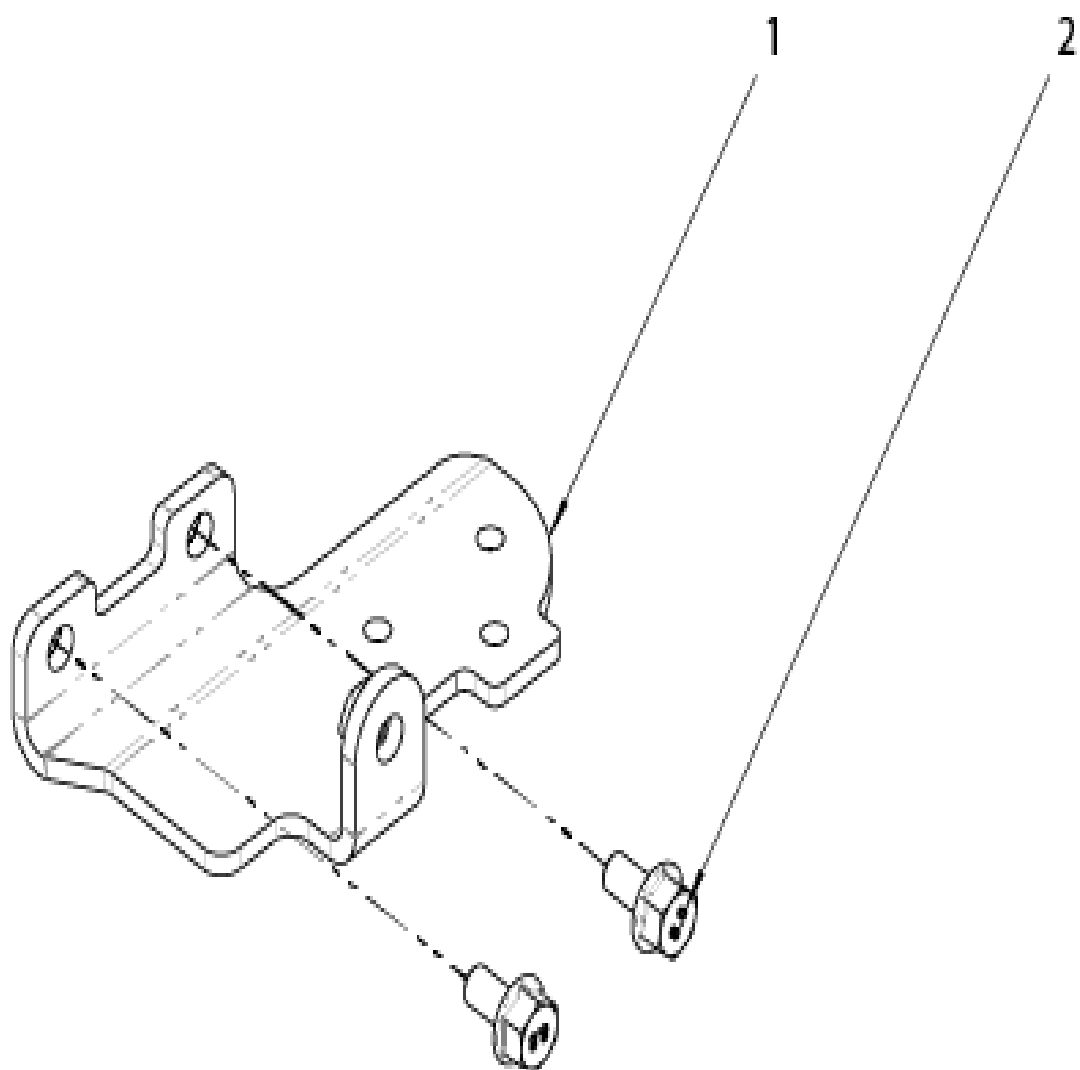
DIPSTICK AND TUBE



Z38020481

Call Out Number	Part Number	Part Description	Qty
1	Z32502692	DIPSTICK	1
2	Z32502693	TUBE, DIPSTICK	1
3	Z32001107	O-RING	1

REGULATOR BRACKET



Z38020509

Call Out Number	Part Number	Part Description	Qty
1	Z32502624	BRACKET, VAPORIZER	1
2	Z35000526	SCREW	2

ECM, PROGRAMMED

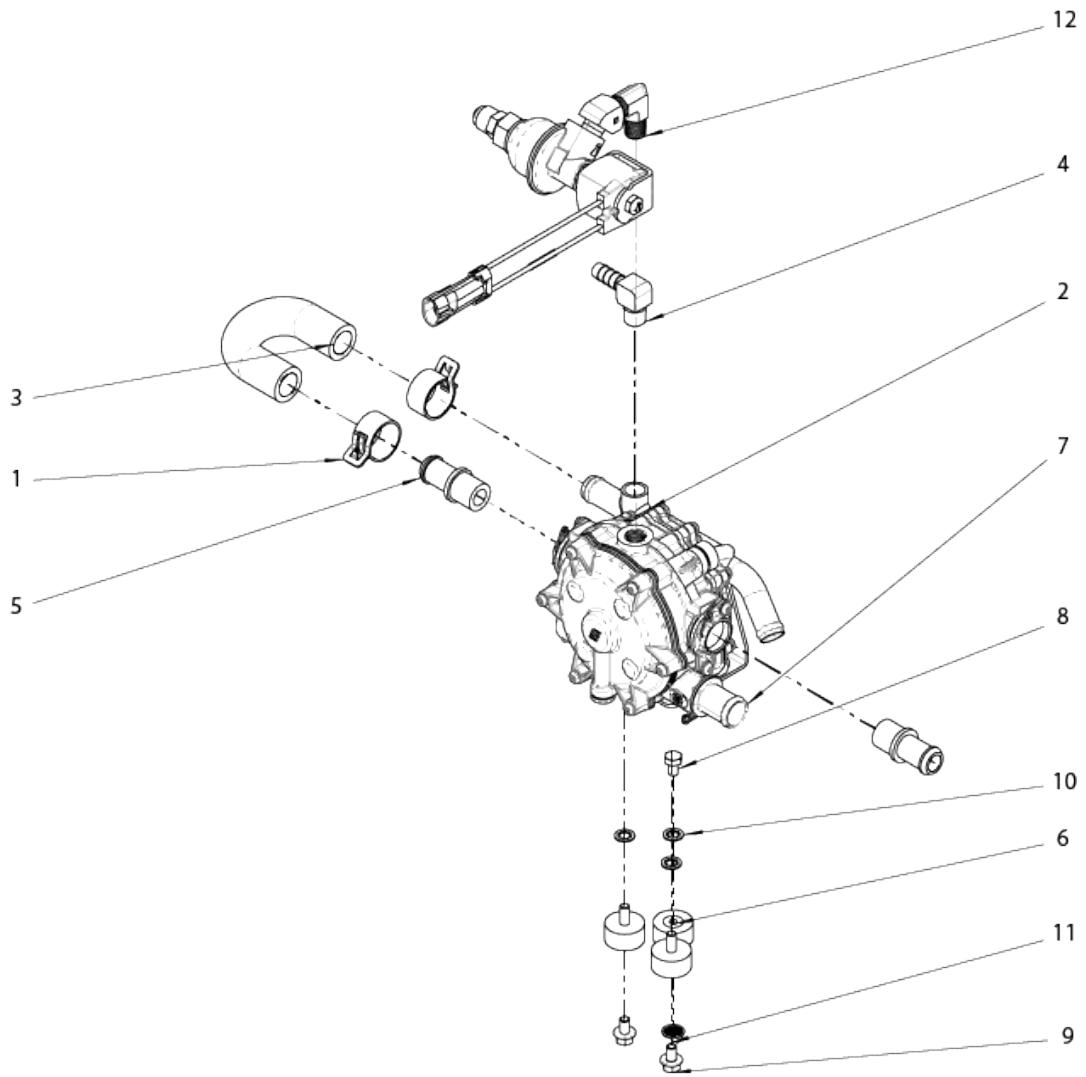


550x200

Z38200115

Call Out Number	Part Number	Part Description	Qty
10	Z38200115	ECU, PROGRAMMED	1

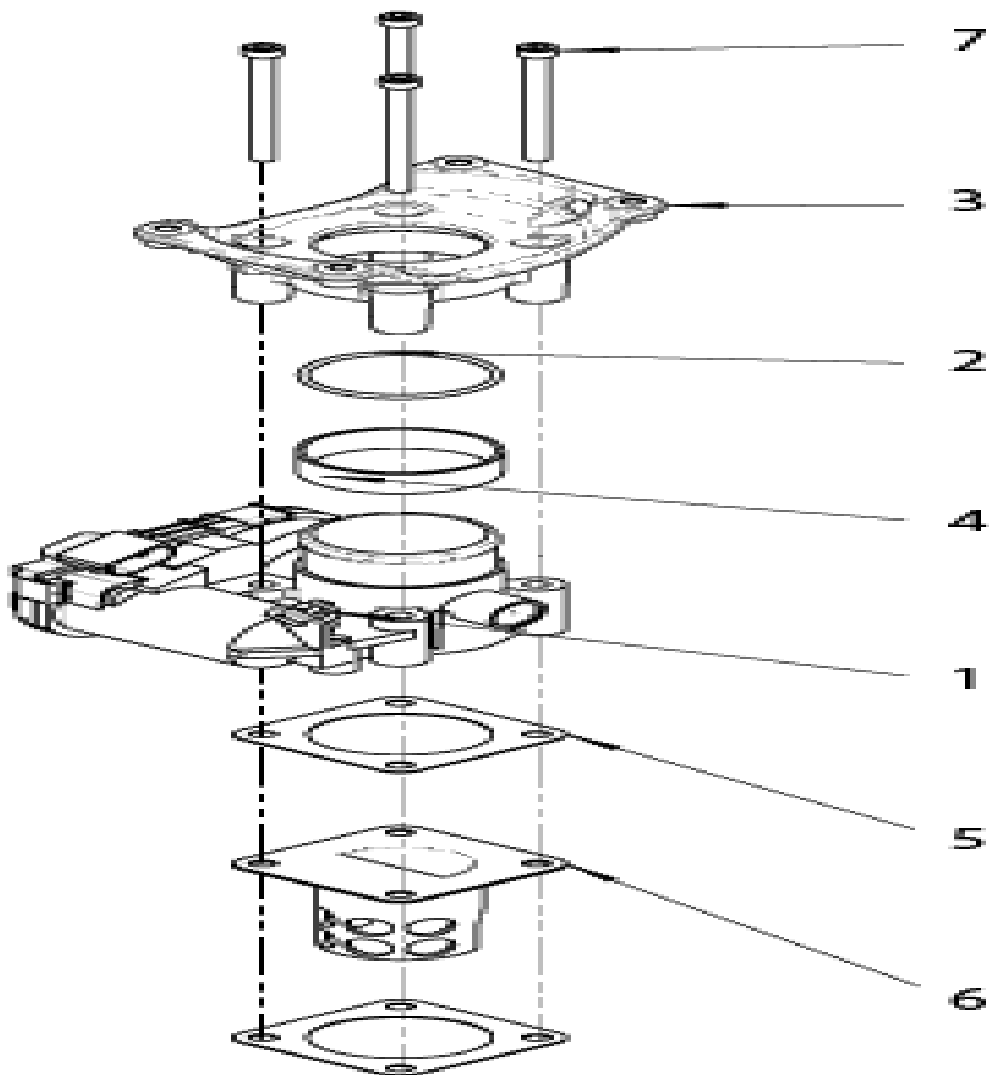
REGULATOR & LOCKOFF



Z38020510

Call Out Number	Part Number	Part Description	Qty
1	Z32001330	CLAMP	2
2	Z32001427	TUBE, COOLANT	1
3	Z32001429	HOSE, COOLANT	1
4	Z32500659	FITTING 1/4 MPT	1
5	Z32501855	FITTING, ASSY.	2
6	Z32502664	ISOLATOR	1
7	Z32502699	REGULATOR	1
8	Z35000355	BOLT	1
9	Z35000449	SCREW	2
10	Z35000508	WASHER	3
11	Z35000699	NUT	1
12	Z32501812	VALVE, LOCK OFF	1

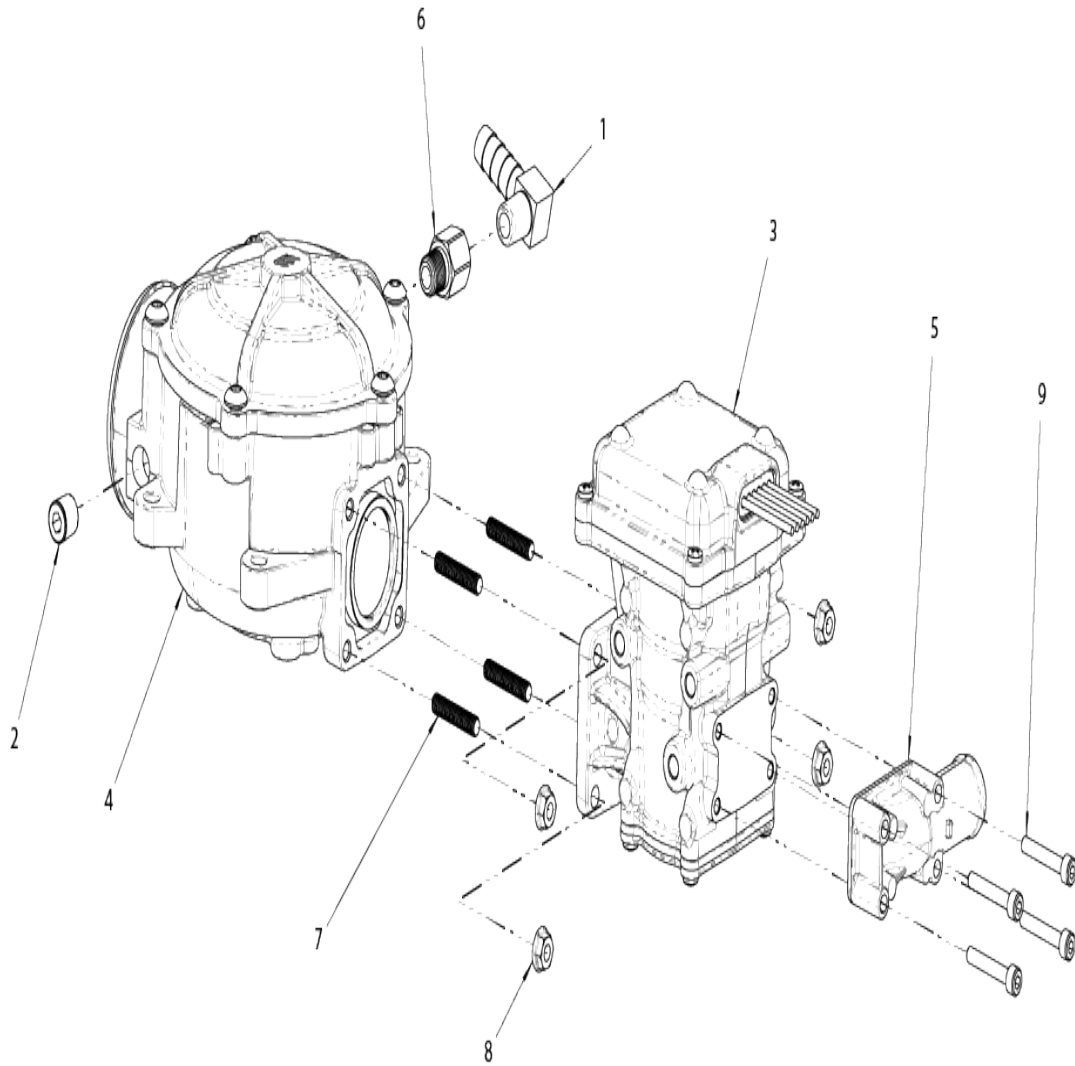
THROTTLE BODY



Z38020511

Call Out Number	Part Number	Part Description	Qty
1	Z101469	BODY, THROTTLE	1
2	Z32501097	O'RING-MXR,APTR	1
3	Z32501701	ADAPTOR	1
4	Z32501837	SPACER, THR RING	1
5	Z32502213	GASKET	2
6	Z33501094	Baffle, Intake Cast	1
7	Z35000668	BOLT	4

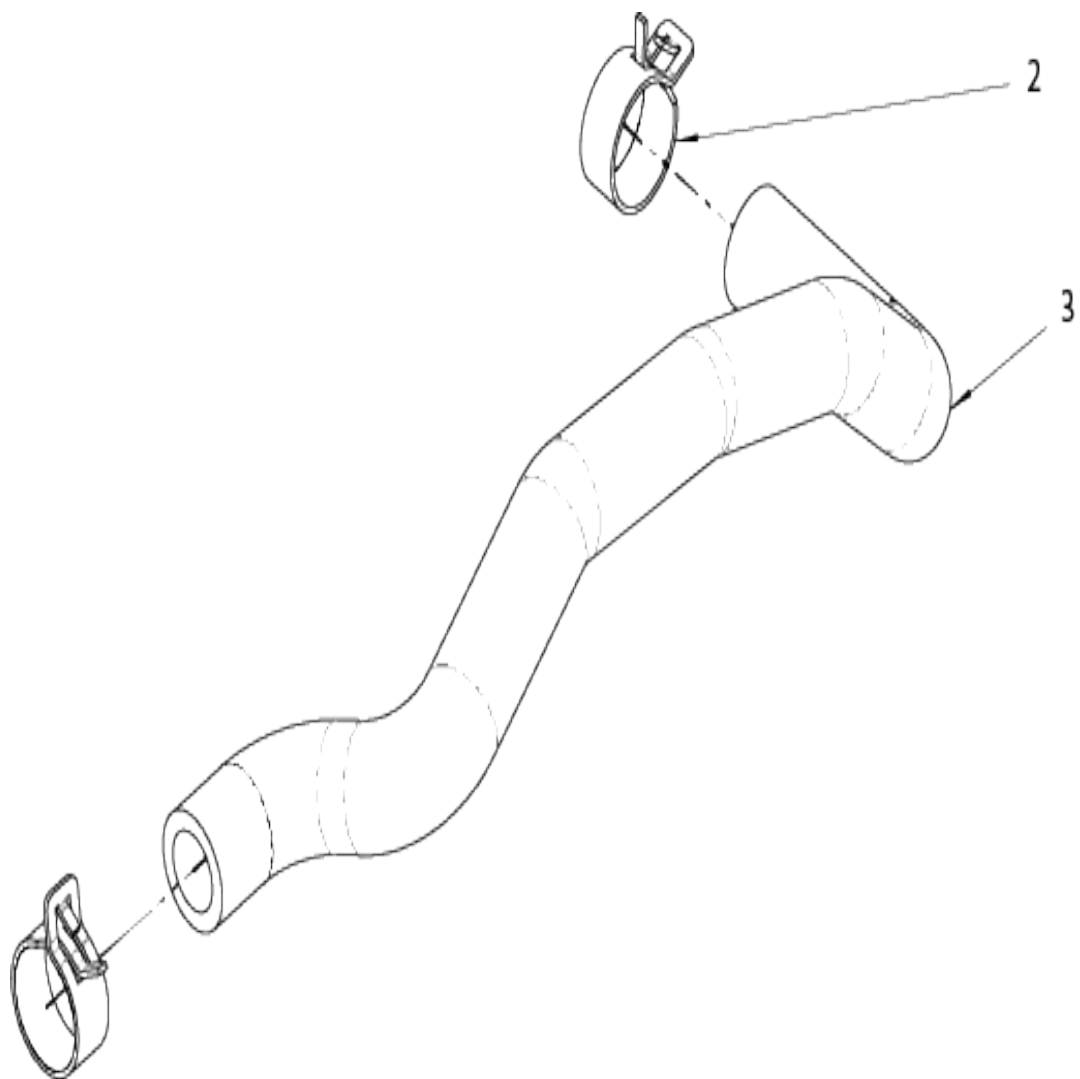
EPR AND MIXER



Z38020449

Call Out Number	Part Number	Part Description	Qty
1	Z32501130	FITTING (3/8)	1
2	Z32501516	PLUG,	1
3	Z32501709	(USE 32503249) EPR	1
4	Z32501961	MIXER	1
5	Z32502601	Bracket, Clipping Oil Cooler & Heater Line	1
6	Z33000481	NIPPLE, O/P SWCH	1
7	Z35000680	STUD	4
8	Z35000681	NUT	4
9	Z35000763	BOLT	4

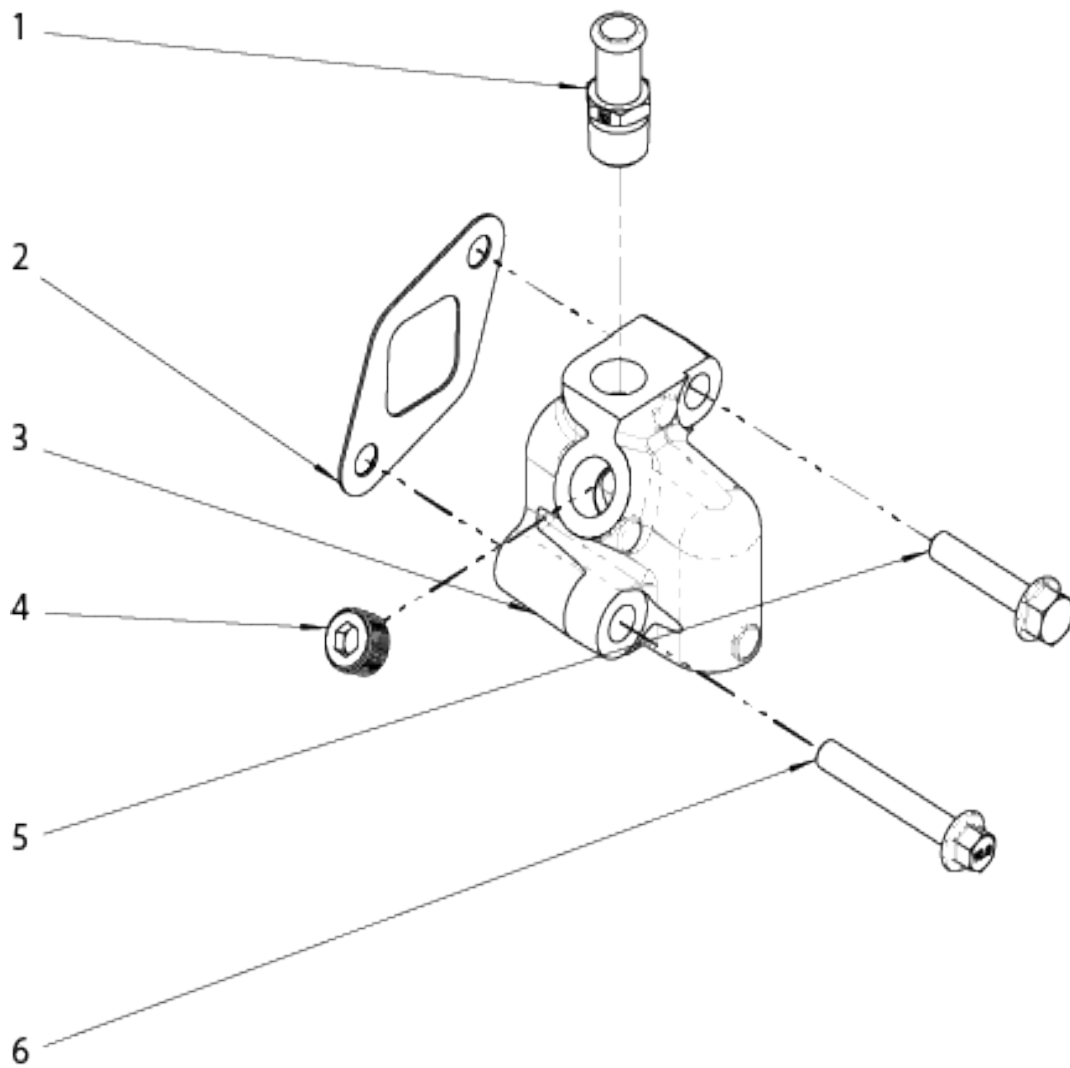
FUEL HOSE



Z38020513

Call Out Number	Part Number	Part Description	Qty
1	Z32000561-8	LOOM, SPLIT 8"	1
2	Z32501950	CLAMP	2
3	Z32503113	HOSE	1

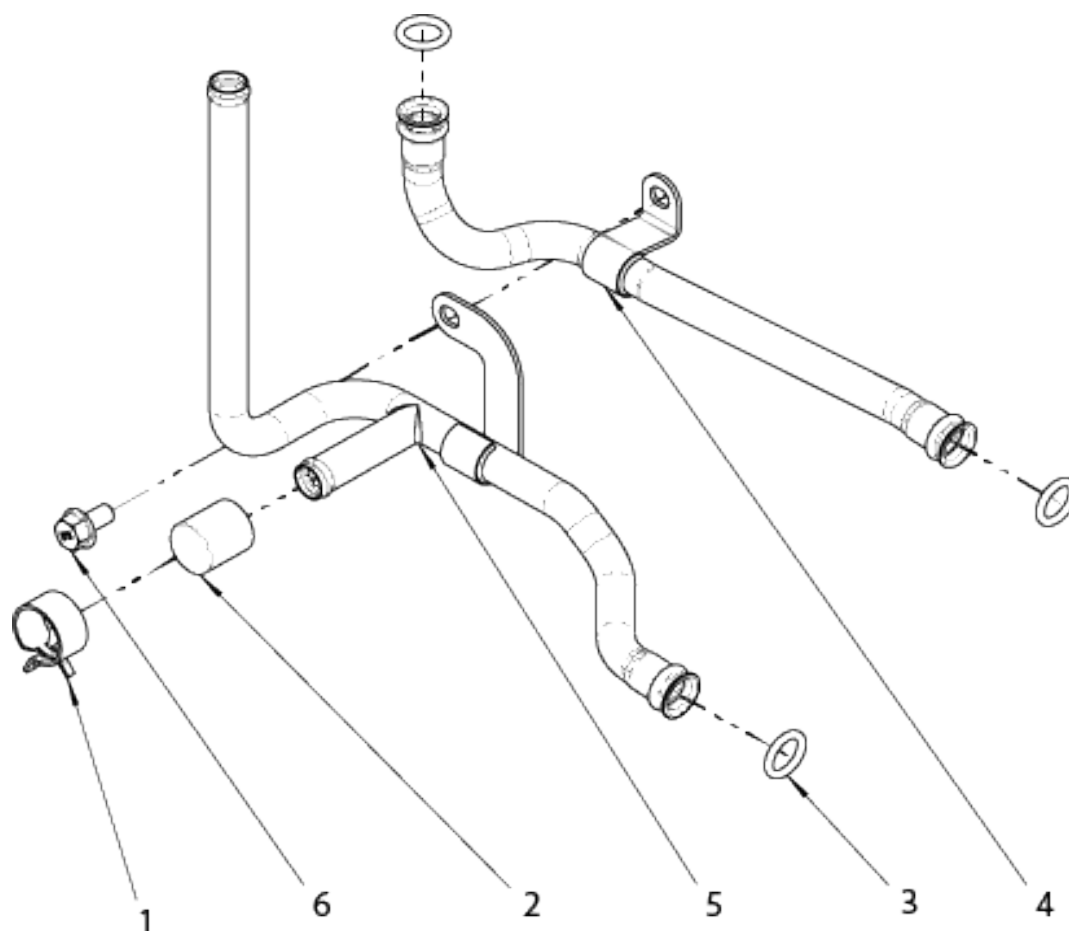
COOLANT



Z38020620

Call Out Number	Part Number	Part Description	Qty
1	Z12700348	Fitting, Beaded Hose	1
2	Z32001098	GASKET, W/SUPPLY	1
3	Z32001431	PIPE,WATER OUTLET	1
4	Z32502461	PLUG	1
5	Z35000697	BOLT	1
6	Z35001126	BOLT	1

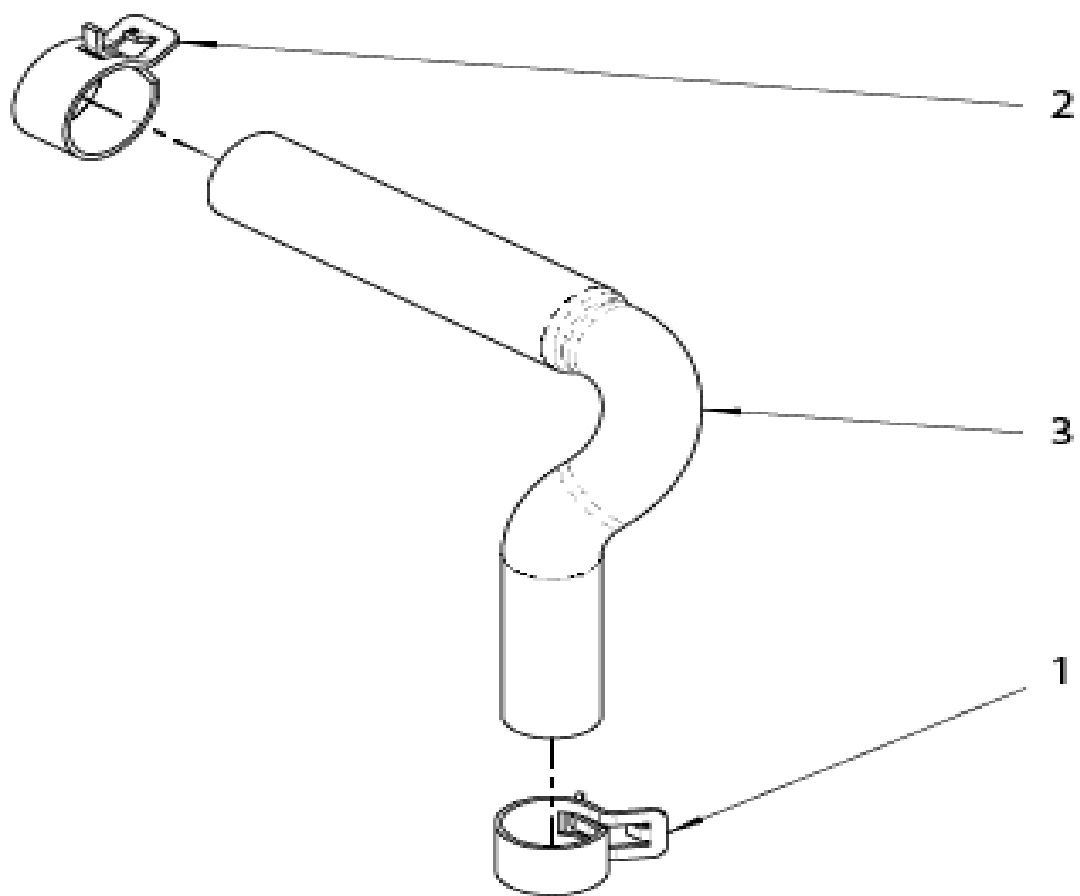
COOLANT TUBES



Z38020621

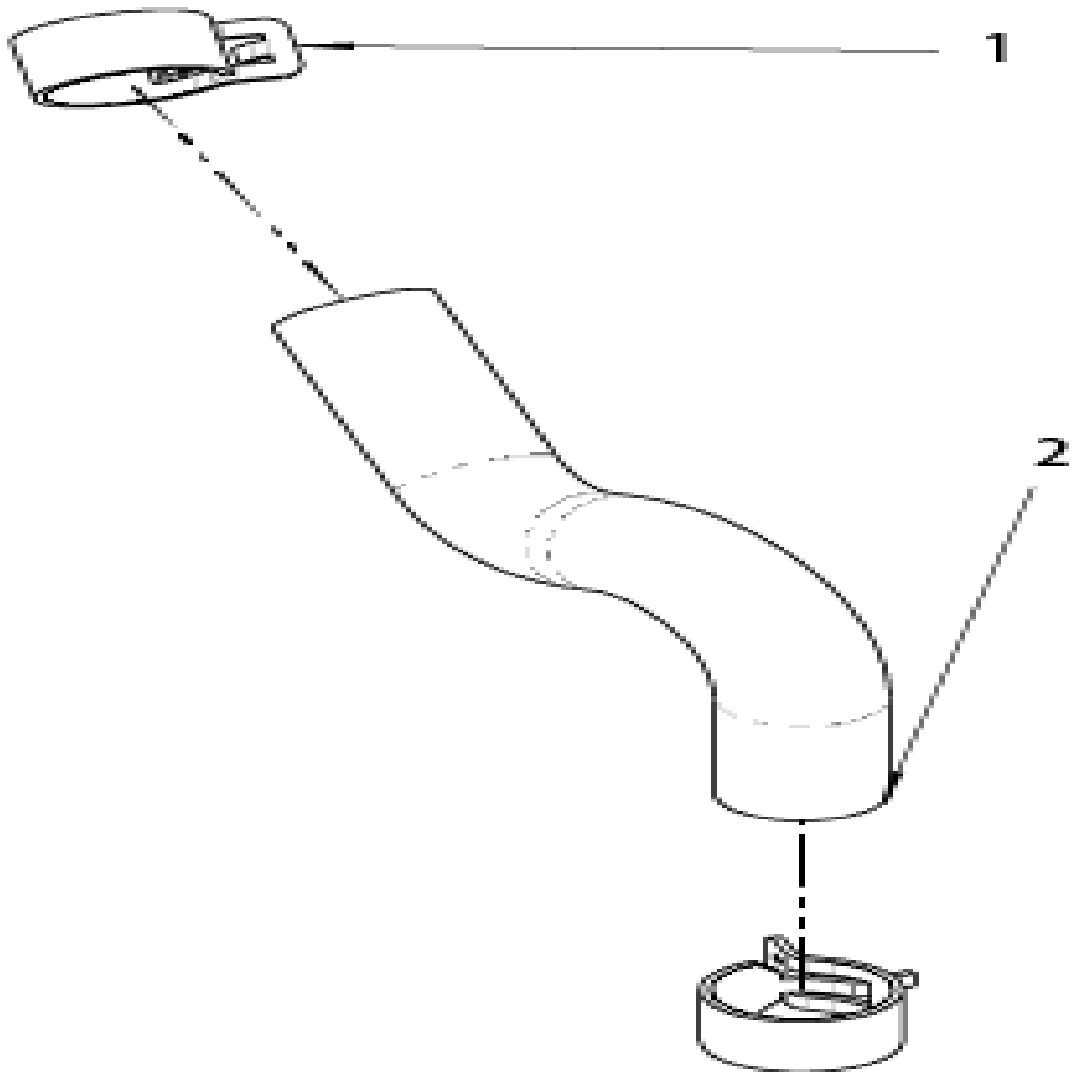
Call Out Number	Part Number	Part Description	Qty
1	Z32001330	CLAMP	1
2	Z32001354	PLUG, RUBBER	1
3	Z32001386	SEAL, O'RING	3
4	Z32001425	TUBE, COOLANT	1
5	Z32001426	TUBE, COOLANT	1
6	Z35000526	SCREW	1

COOLANT HOSE



Call Out Number	Part Number	Part Description	Qty
1	Z32000945	CLAMP	1
2	Z32001331	CLAMP, SPRING	1
3	Z32001458	HOSE, MOLDED COOLANT	1

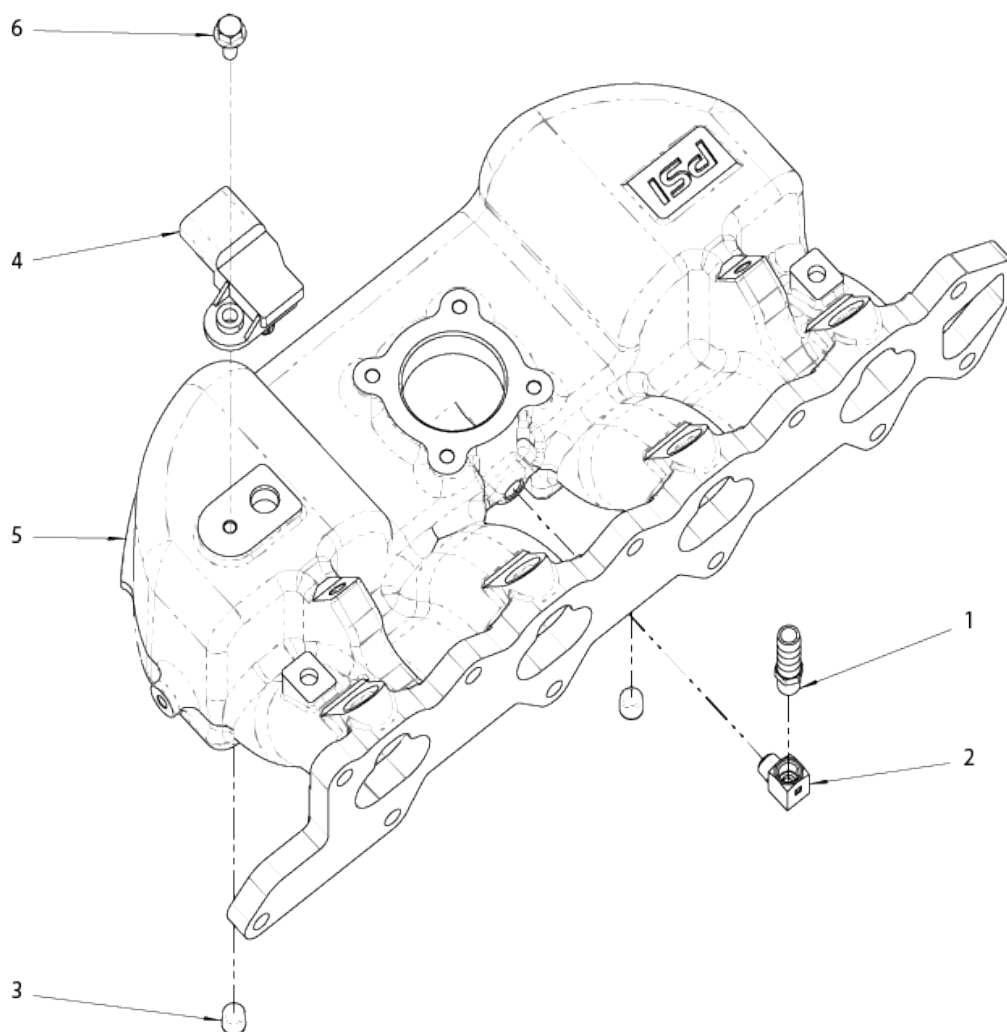
DSR COOLANT RETURN HOSE



Z38020623

Call Out Number	Part Number	Part Description	Qty
1	Z32001330	CLAMP	2
2	Z32001459	HOSE, MOLDED COOLANT	1

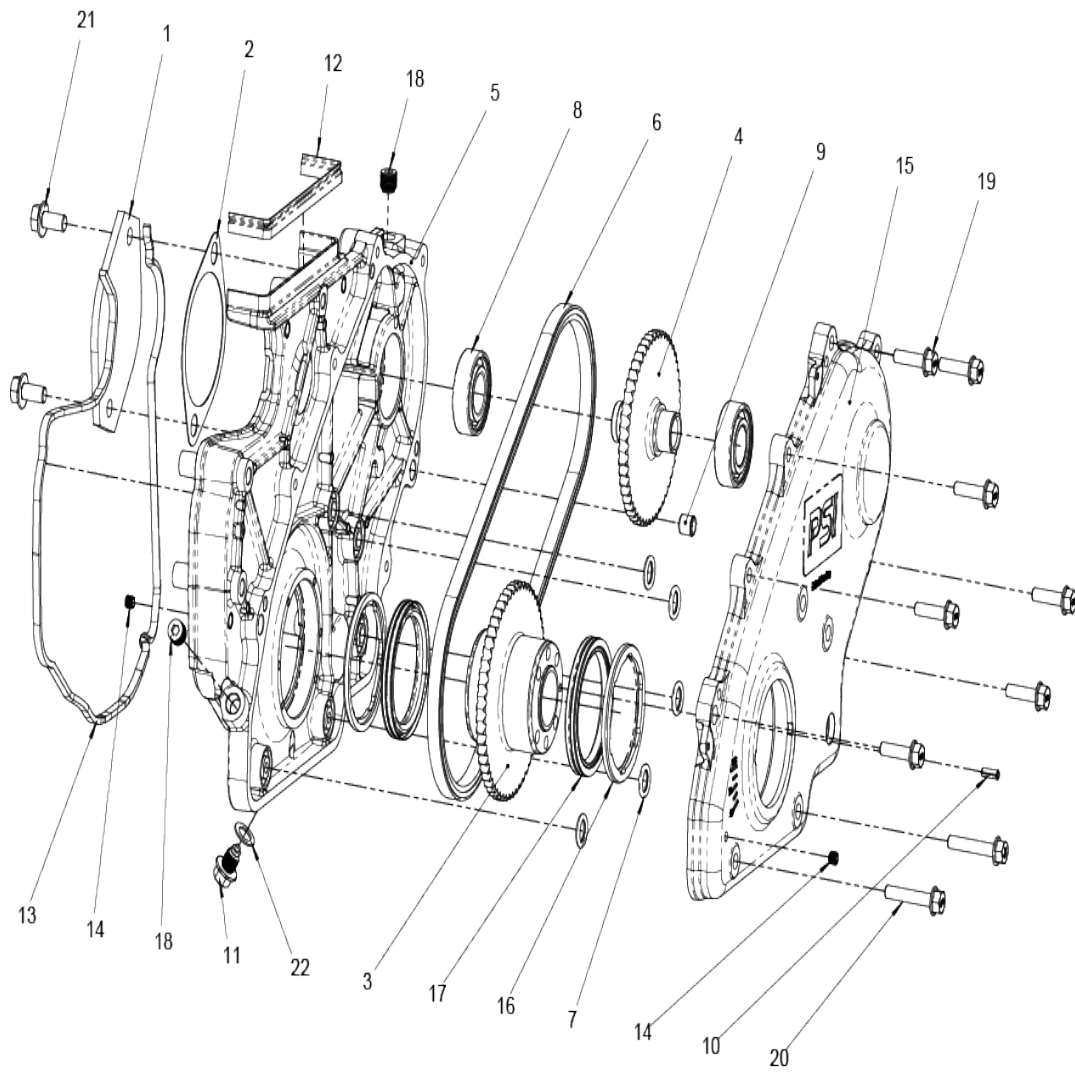
INTAKE MANIFOLD



Z38020850

Call Out Number	Part Number	Part Description	Qty
1	Z32000253	FITTING	1
2	Z32500688	FITTING	1
3	Z32501516	PLUG,	2
4	Z33000366	SENSOR, T MAP	1
5	Z33501058	MANIFOLD, INTAKE	1
6	Z35000530	BOLT	1

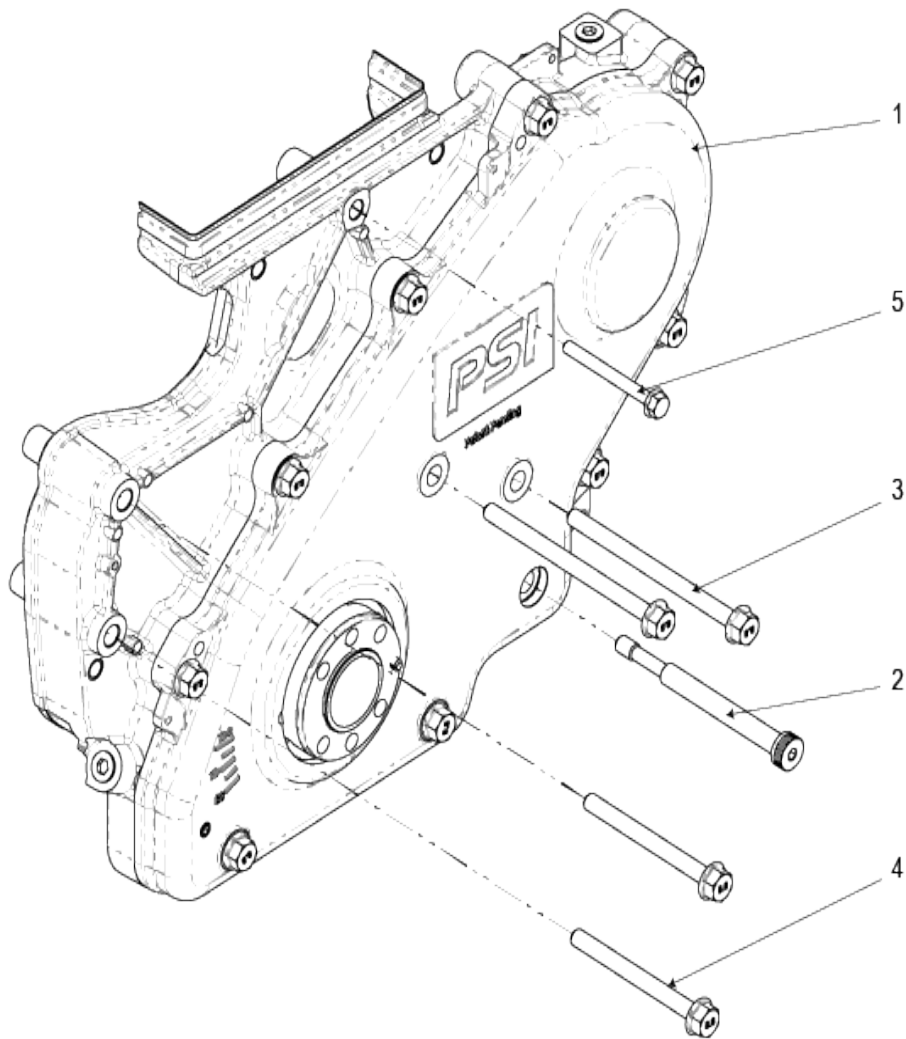
PTO (SIDE)



Z38020120

Call Out Number	Part Number	Part Description	Qty
1	Z13500220	DRV PUMP CVR PLT	1
2	Z13500221	DRV PUMP DRV GSK	1
3	Z31500139	Sprocket, Driver	1
4	Z31500140	Sprocket, Driver	1
5	Z31500142	HOUSING, REAR PTO	1
6	Z31500144	CHAIN, PTO	1
7	Z31500145	O-RING	5
8	Z31500146	BEARING, SEALED	2
9	Z31500150	DOWEL	1
10	Z31500151	PIN, SPRING	1
11	Z31500153	PLUG	1
12	Z31500156	SEAL, TIMING COVER TO PTO	1
13	Z31500157	SEAL, ENGINE TO PTO	1
14	Z31500158	PLUG	2
15	Z31500162	HOUSING, FRONT PTO	1
16	Z31500163	RING, PTO	2
17	Z31500165	SEAL, PTO	2
18	Z33500495	PLUG	2
19	Z35000533	BOLT	7
20	Z35000662	BOLT	2
21	Z35000760	BOLT	2
22	Z80000143	SEAL, OIL PAN	1

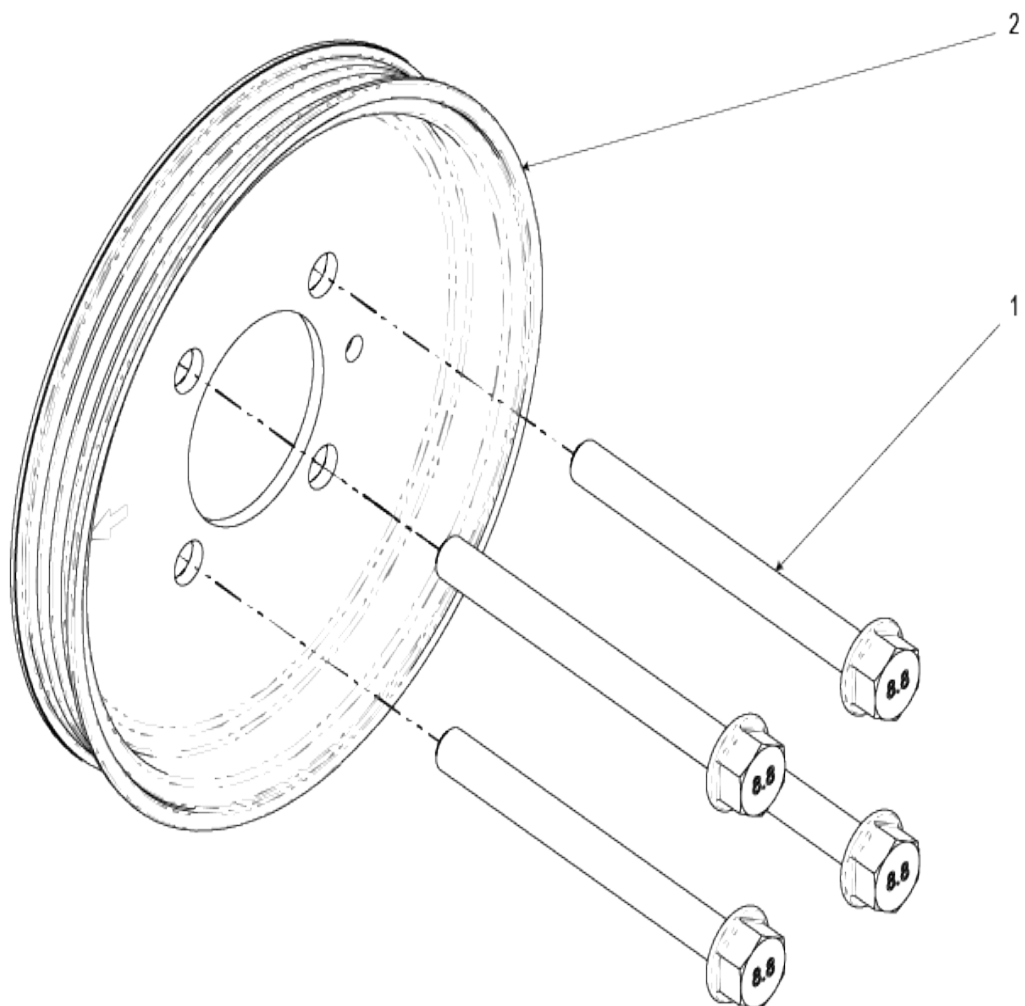
PTO CHAIN



Z38020131

Call Out Number	Part Number	Part Description	Qty
1	Z35001089	BOLT	1
2	Z35001090	SCREW	2
3	Z35001091	SCREW	2
4	Z35001092	BOLT, SHOULDER	1
5	Z38020120	KIT, PTO ASSY	1

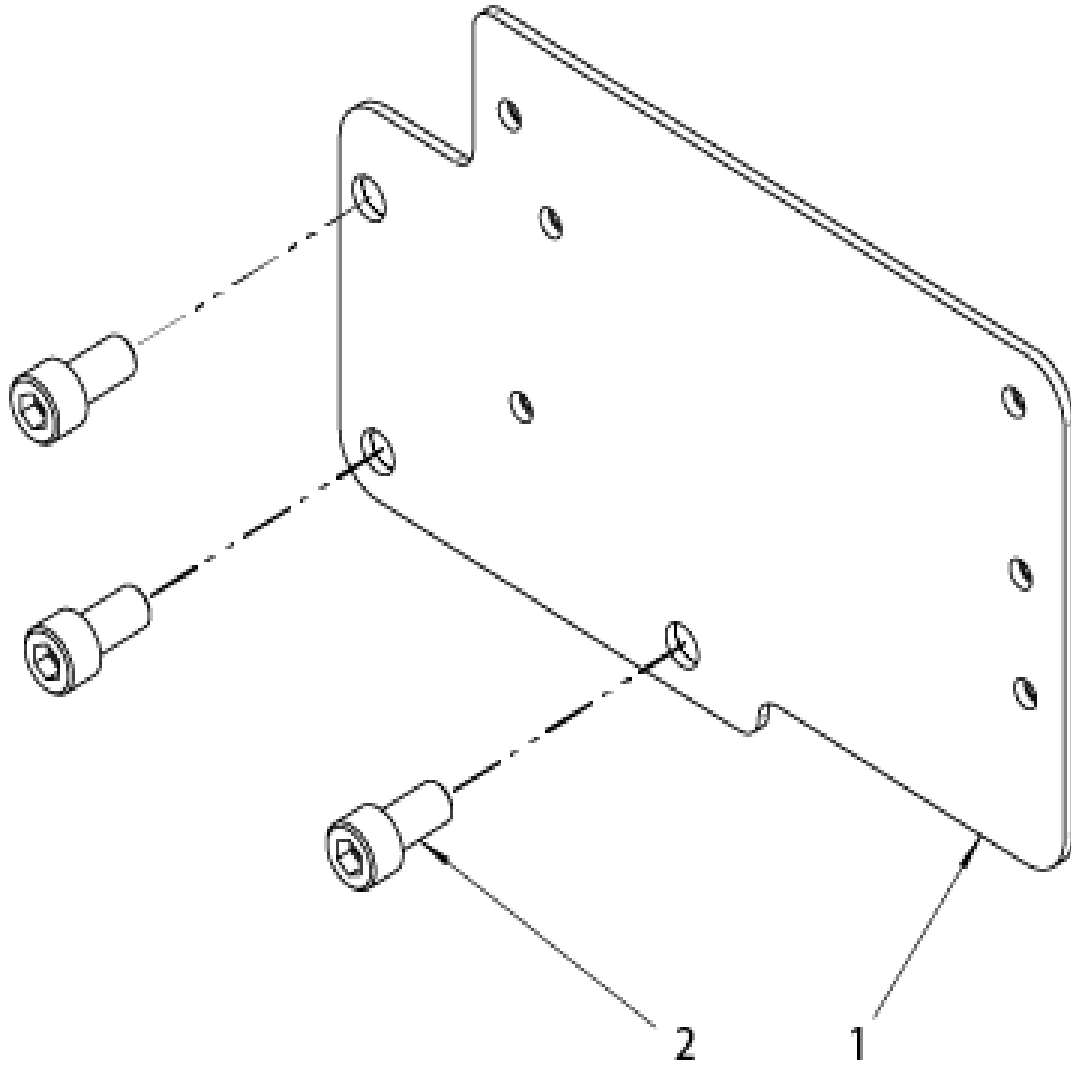
CRANK PULLEY (PTO)



Z38020132

Call Out Number	Part Number	Part Description	Qty
1	Z31500148	Pulley, Crank	1
2	Z35001090	SCREW	4

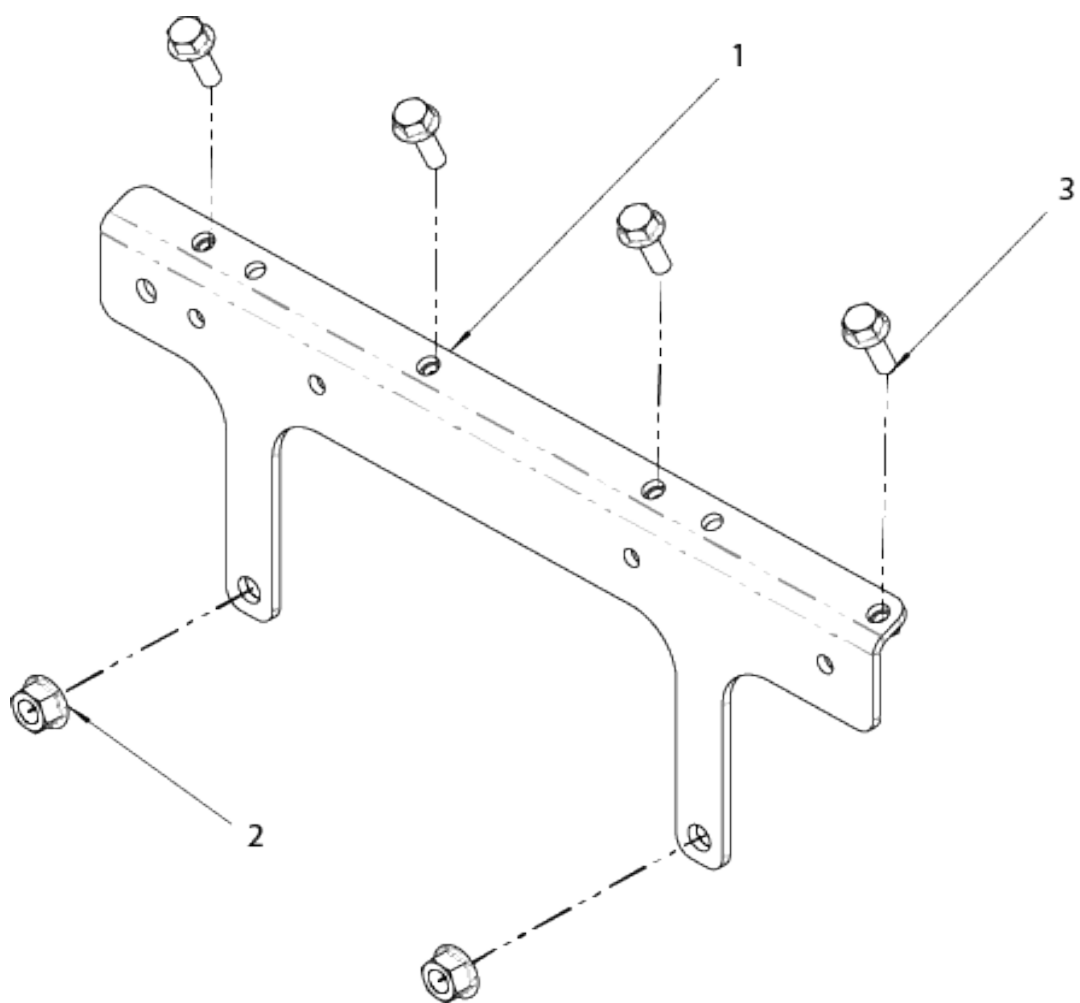
ECU MOUNT



Z38020367

Call Out Number	Part Number	Part Description	Qty
1	Z33001577	PLATE, ECU	1
2	Z35001105	BOLT	3

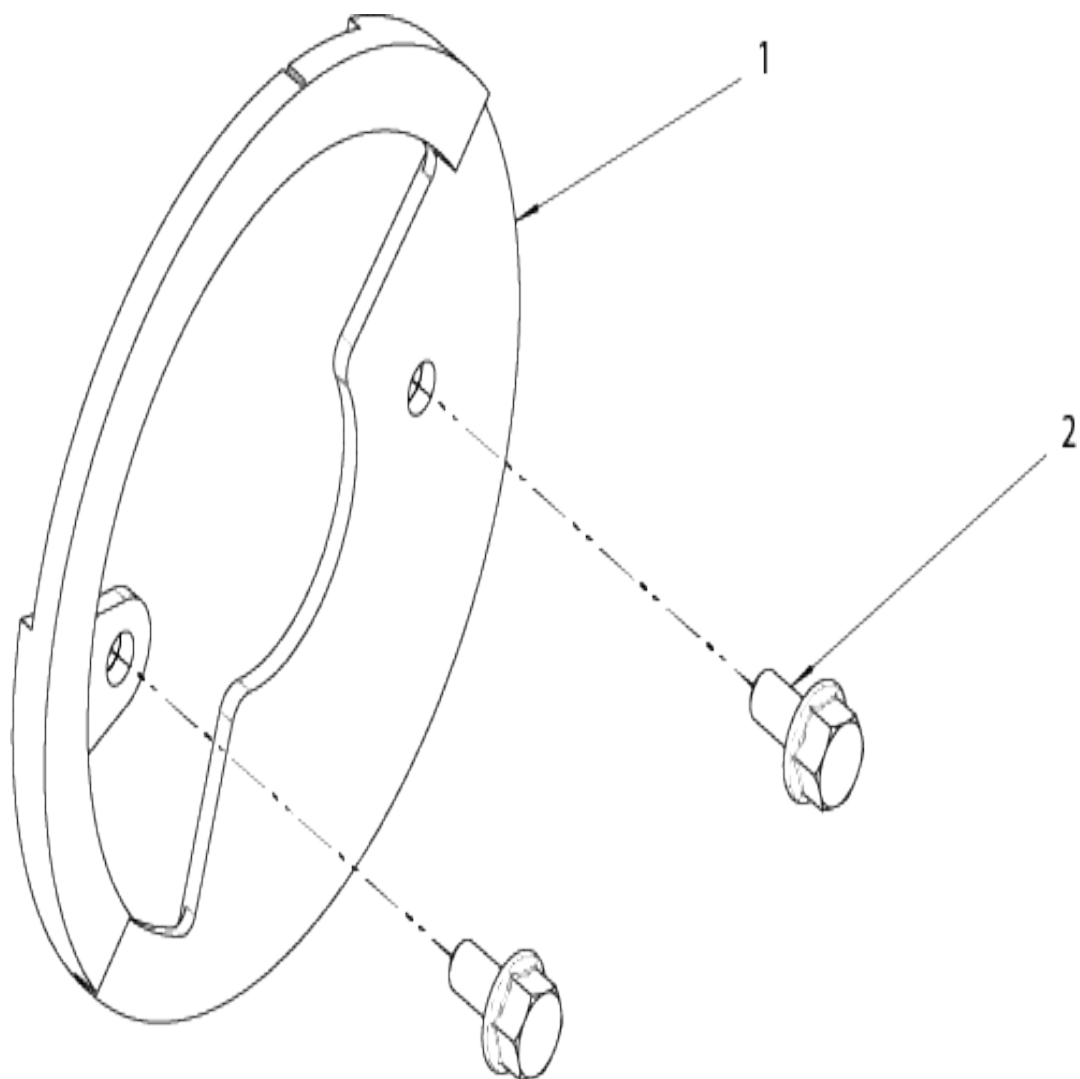
COIL BRACKET



Z38020368

Call Out Number	Part Number	Part Description	Qty
1	Z33001397	BRACKET, COIL	1
2	Z35000021	NUT, FLANGE	2
3	Z35000696	BOLT, FLANGE	4

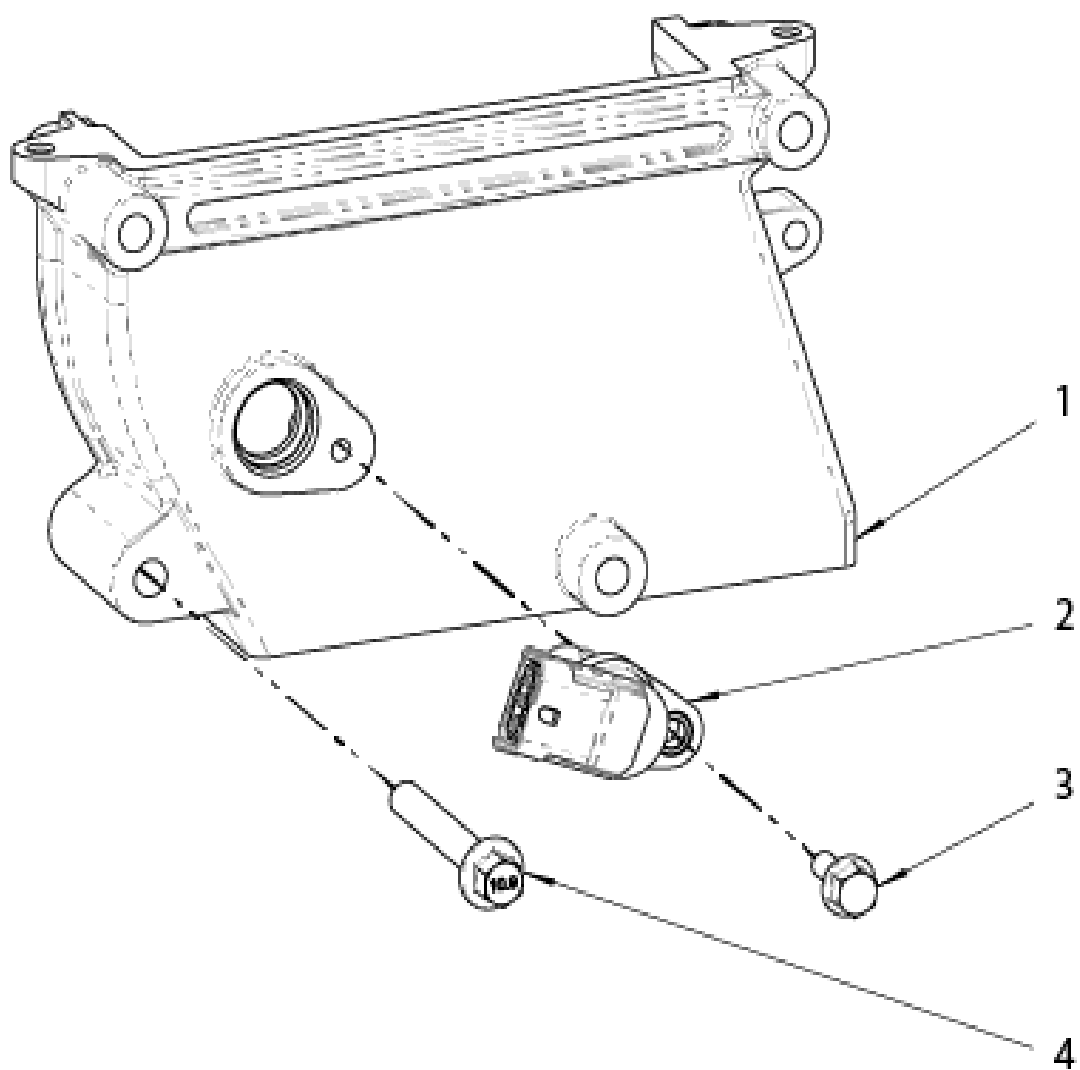
CAMWHEEL SENSOR



Z38020369

Call Out Number	Part Number	Part Description	Qty
1	Z800429	WHEEL, CAM SENSOR	1
2	Z35000931	BOLT	2

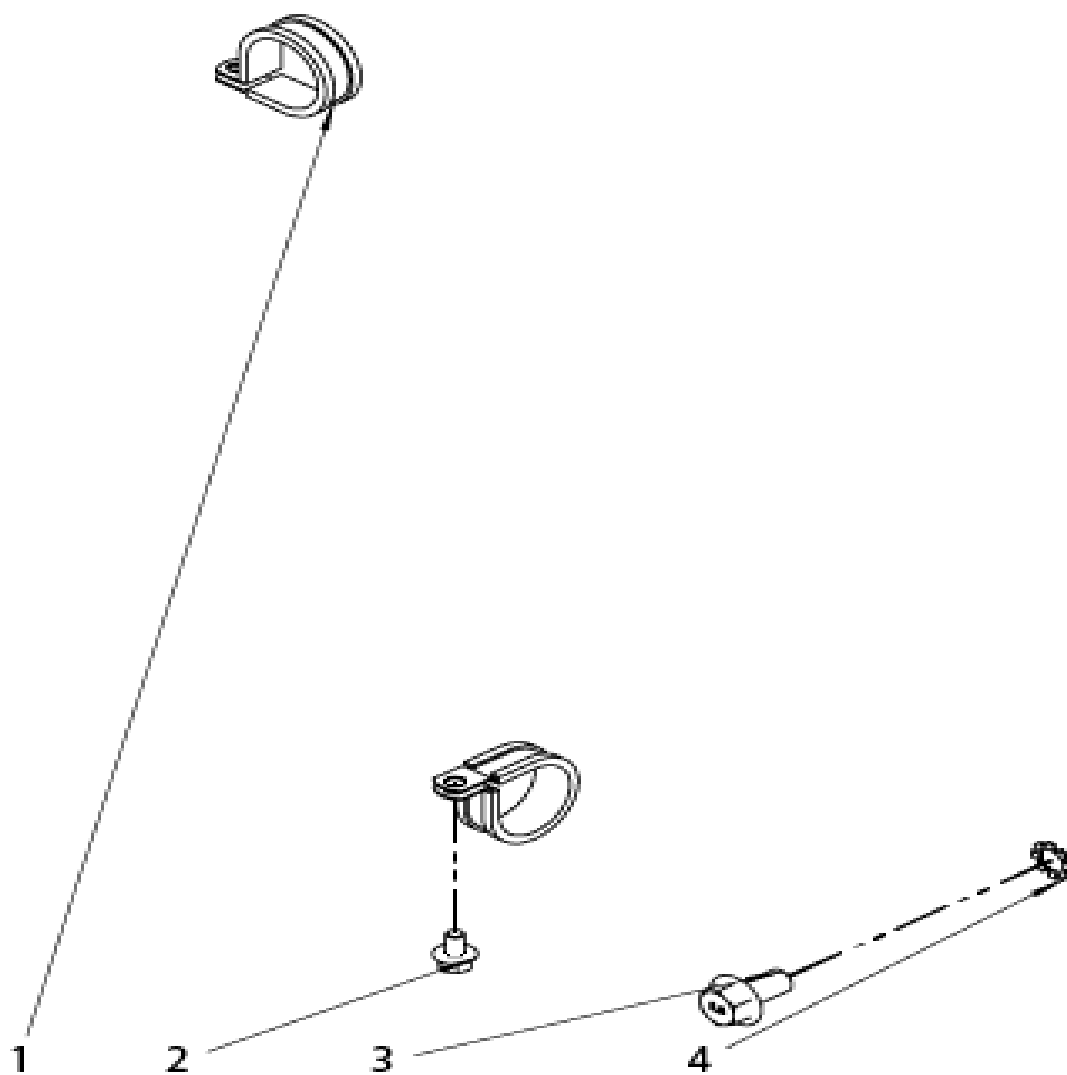
TIMIN COVER



Z38020370

Call Out Number	Part Number	Part Description	Qty
1	Z32001341	COVER, TIMING GEAR	1
2	Z33002180	SENSOR, CAMSHAFT	1
3	Z35000530	BOLT	1
4	Z35001126	BOLT	1

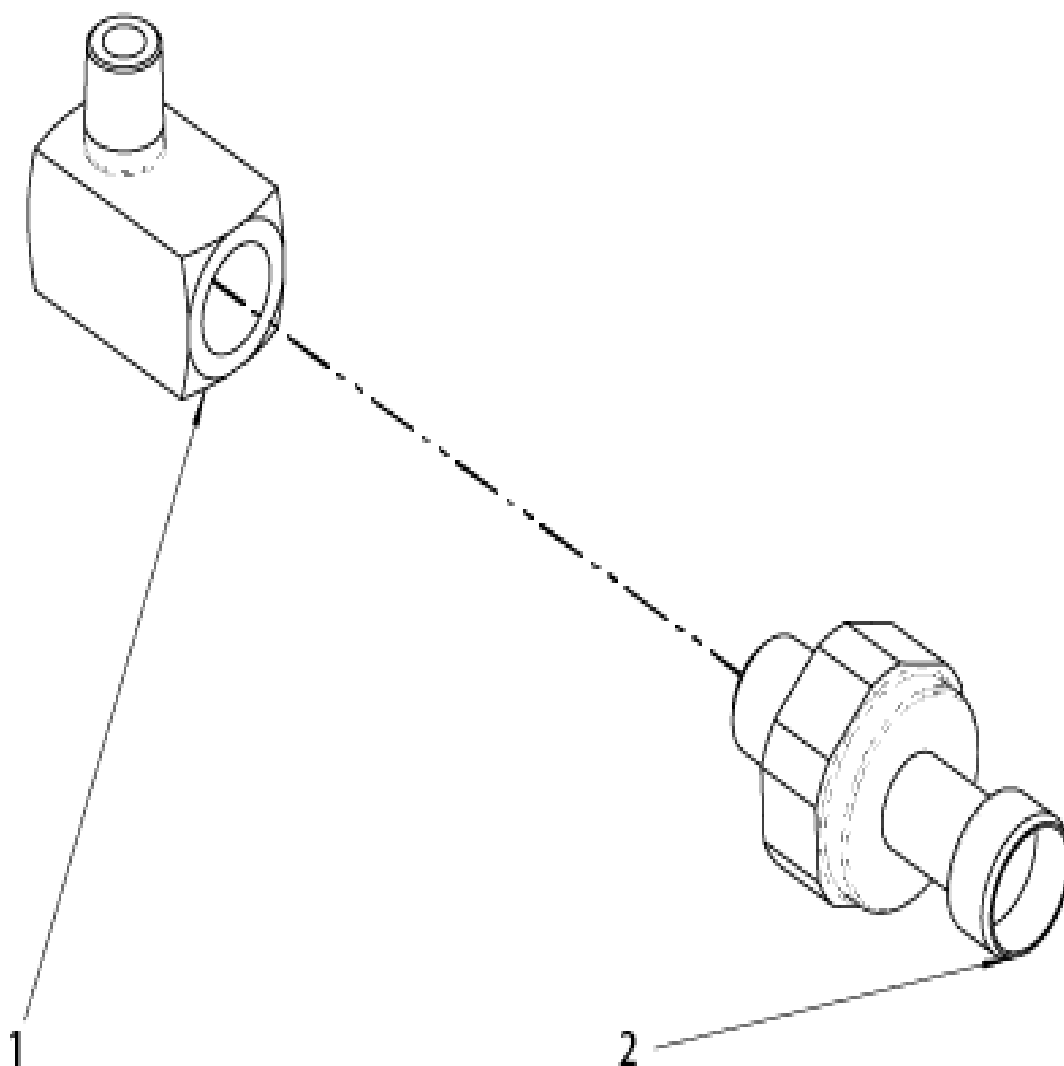
HARNESS CLAMPS



Z38020371

Call Out Number	Part Number	Part Description	Qty
2	Z35000449	SCREW	1
2	Z32501922	CLAMP	1
3	Z35000760	BOLT	1
4	Z35000961	WASHER	1

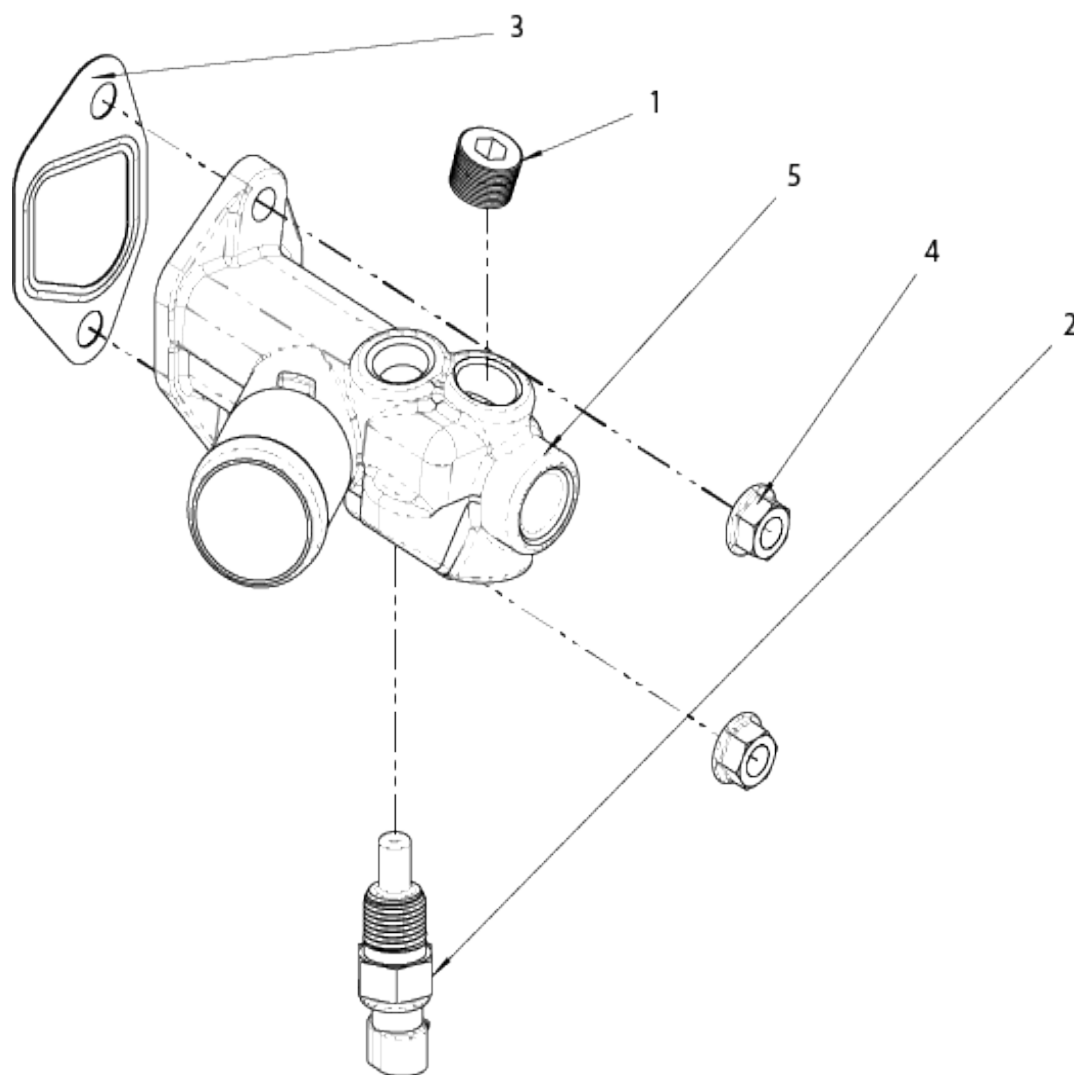
OIL PRESSURE SENSOR



Z38020372

Call Out Number	Part Number	Part Description	Qty
1	Z32502342	FITTING, O/P	1
2	Z33001415	SENDER, O/PRESS	1

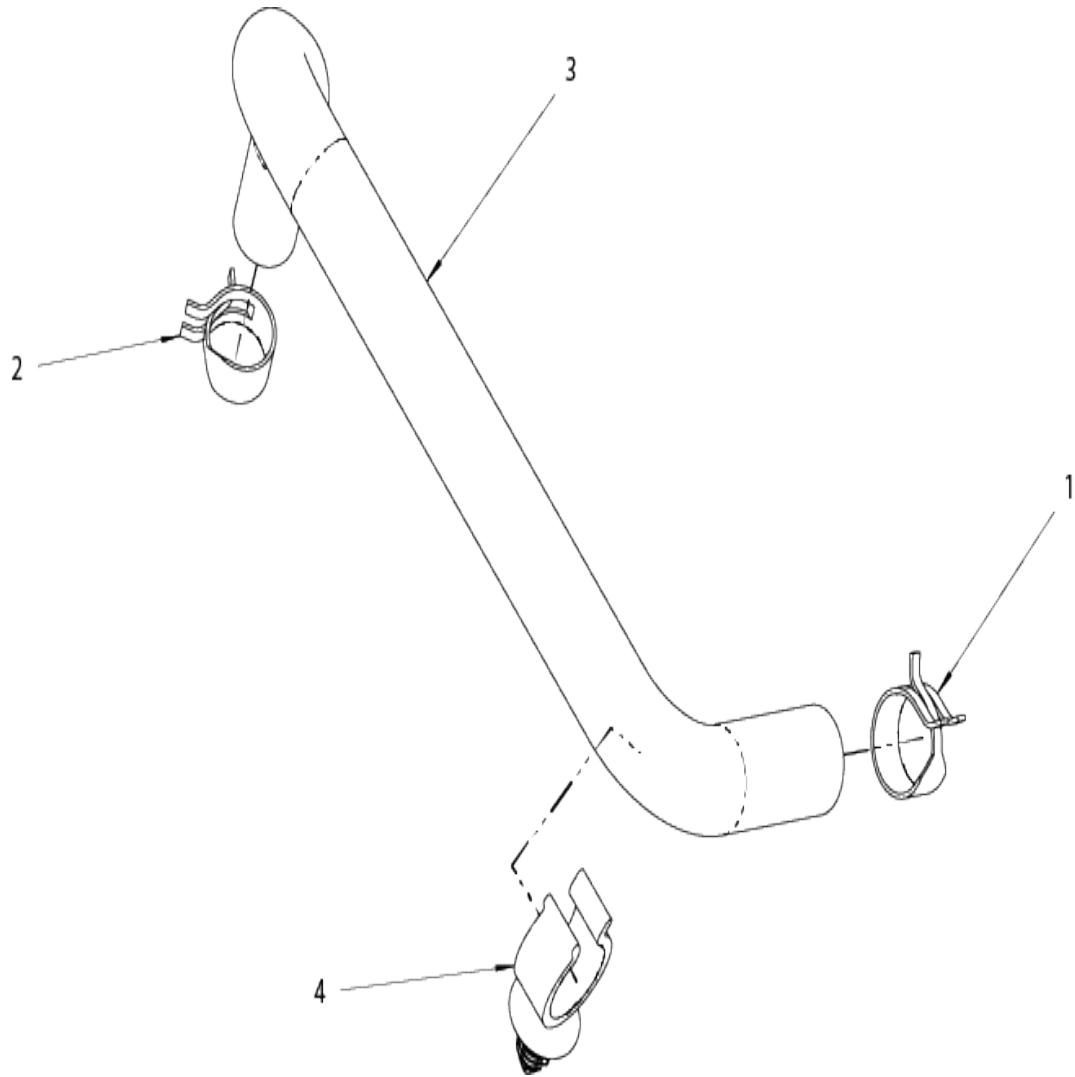
WATER OUTLET



Z38020619

Call Out Number	Part Number	Part Description	Qty
1	Z32501436	PLUG	1
2	Z33002848	SENSOR, COOLANT	1
3	Z33501005	GASKET, W/OUTLET	1
4	Z35000021	NUT, FLANGE	2
5	Z38901276	OUTLET, WATER	1

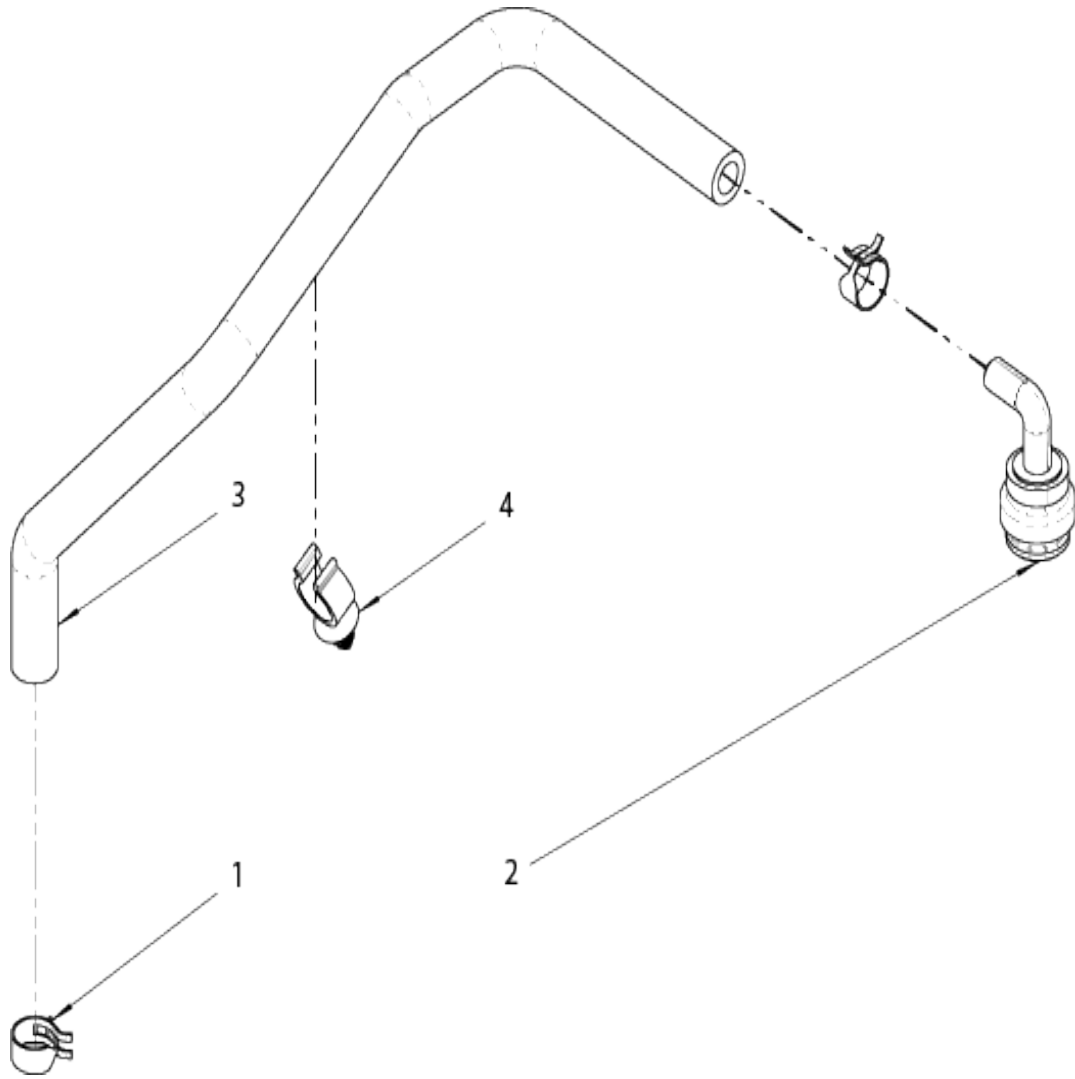
PCV AIR HOSE



Z38020831

Call Out Number	Part Number	Part Description	Qty
1	Z32501134	CLAMP	1
2	Z33501007	CLAMP	1
3	Z33501009	HOSE	1
4	Z33501142	CLIP, HOSE MOUNT	1

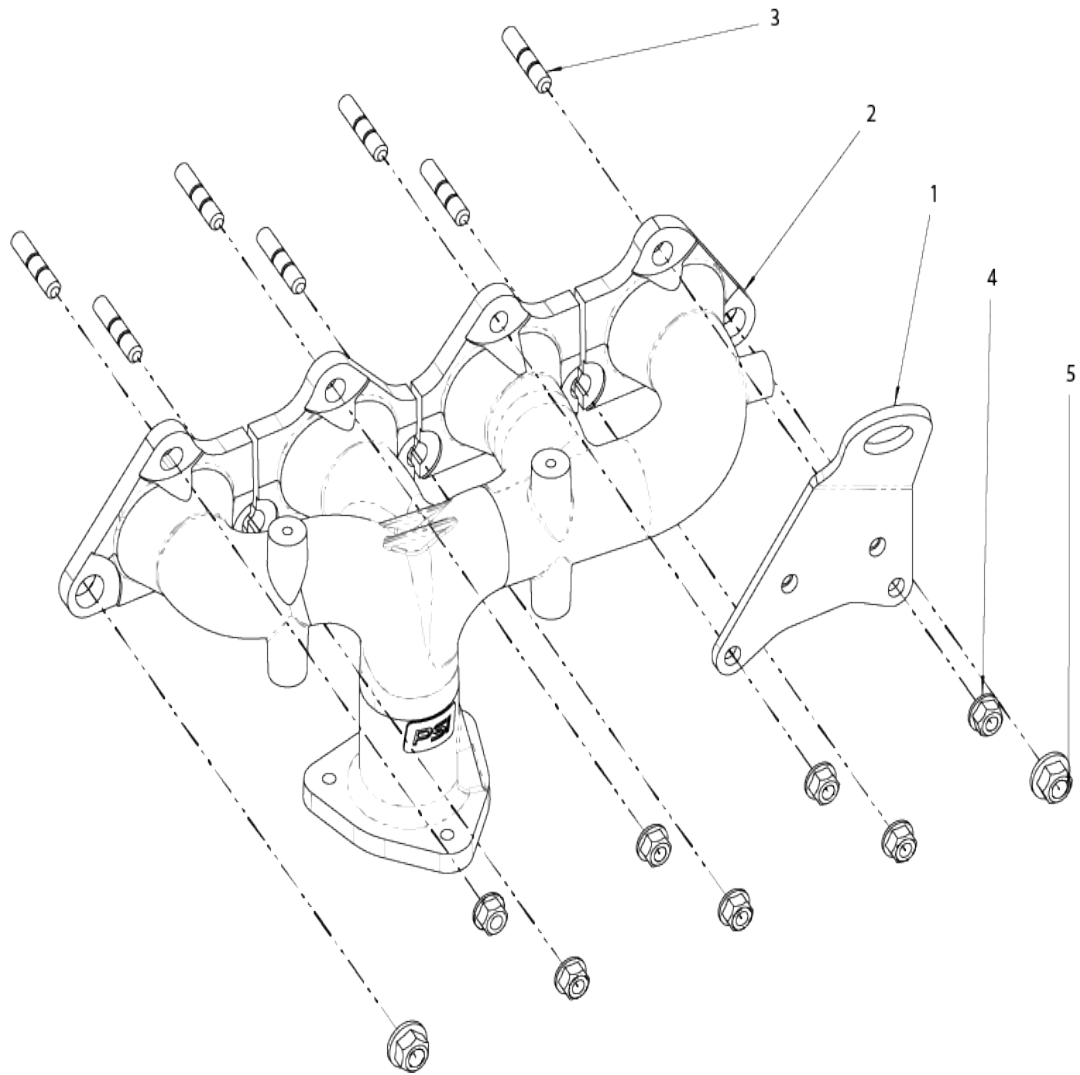
PCV HOSE



Z38020846

Call Out Number	Part Number	Part Description	Qty
1	Z32501134	CLAMP	2
2	Z32502311	GROMMET, PCV	1
3	Z33501065	HOSE, PCV FOUL AIR	1
4	Z33501142	CLIP, HOSE MOUNT	1

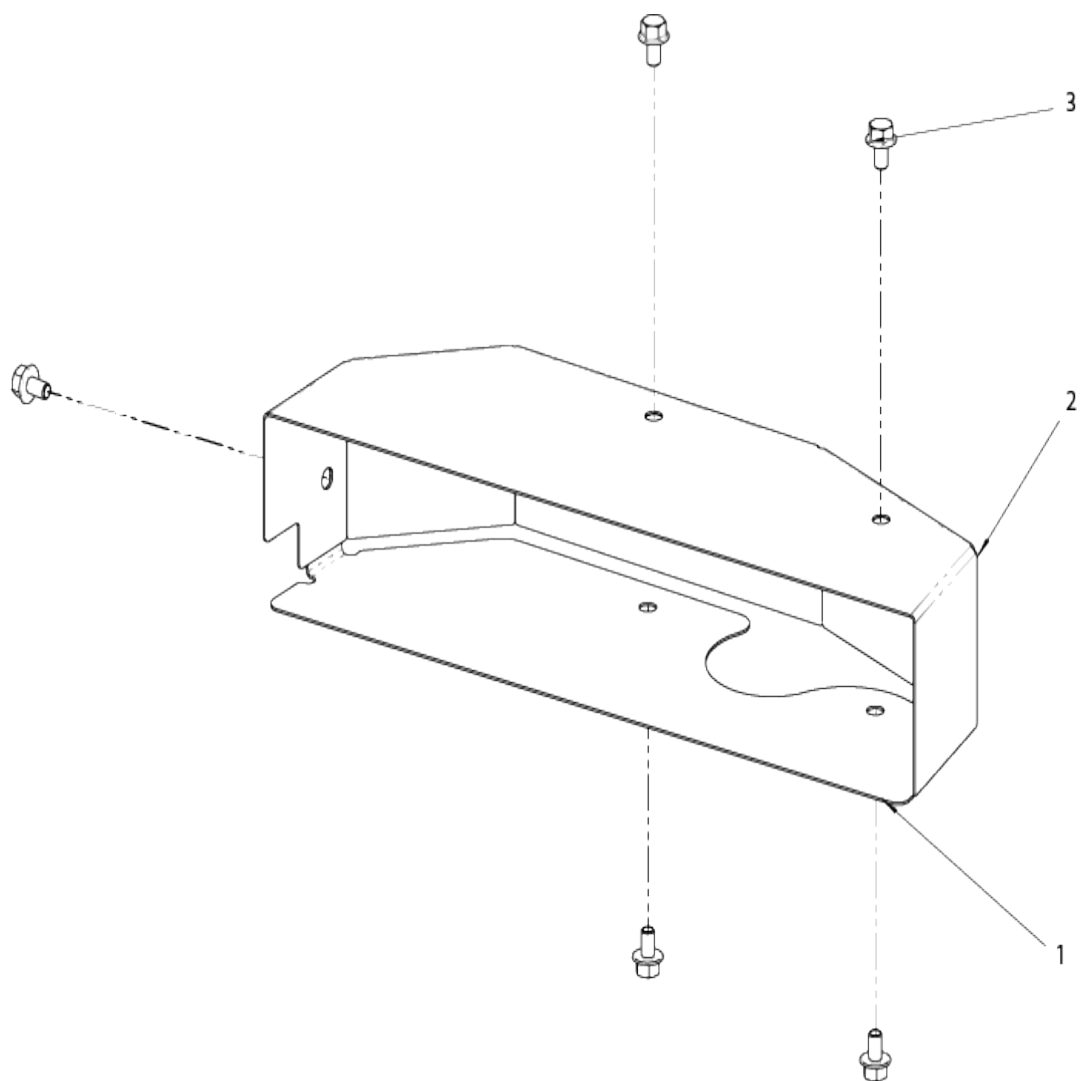
EXHAUST MANIFOLD



Z38020847

Call Out Number	Part Number	Part Description	Qty
1	Z30100364	BRACKET	1
2	Z33500997	MANIFOLD, EXHAUST	1
3	Z33501244	STUD	7
4	Z35000844	NUT	7
5	Z35000845	NUT	2

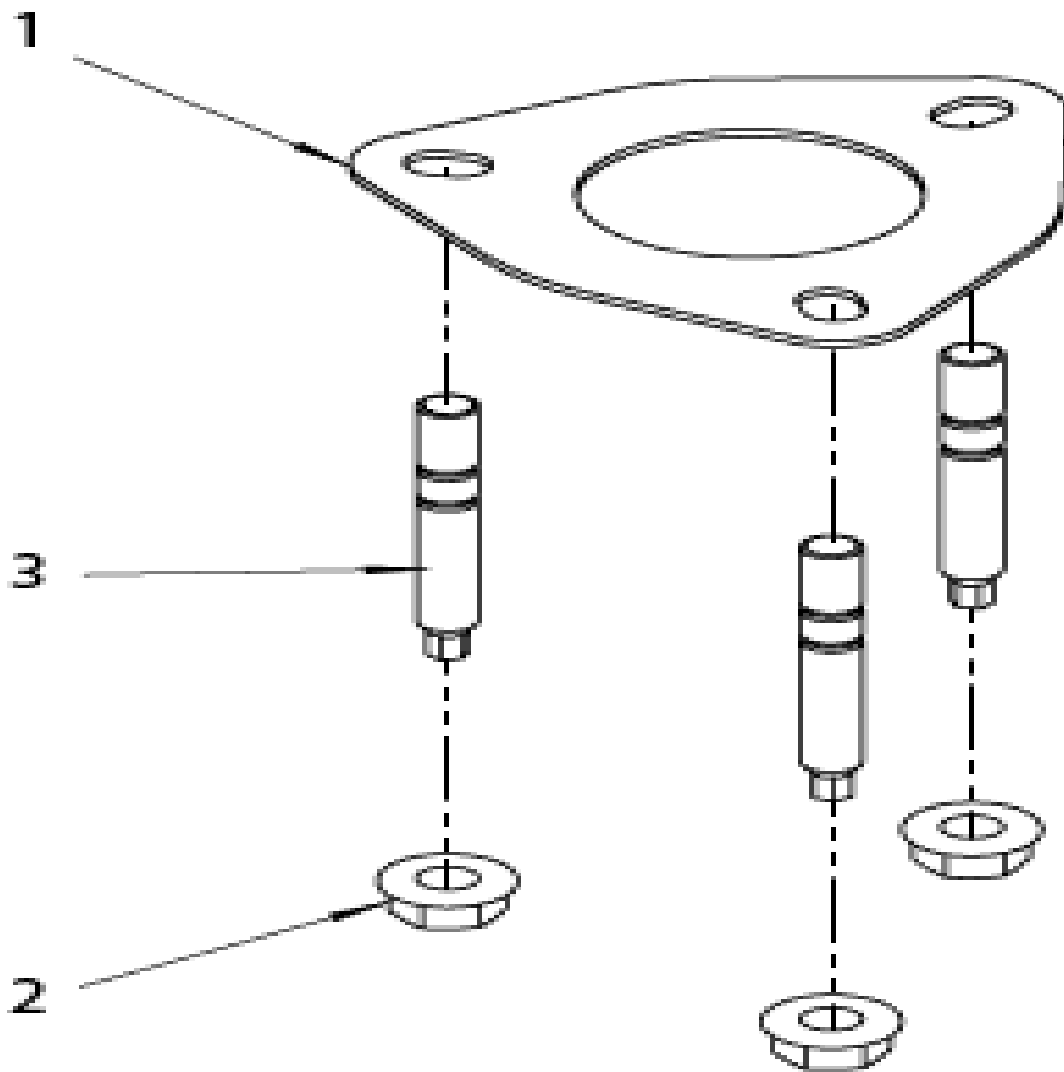
HEAT SHIELD



Z38020848

Call Out Number	Part Number	Part Description	Qty
1	Z33500974	HEAT SHIELD LWR	1
2	Z33500975	HEAT SHIELD UPR	1
3	Z35000449	SCREW	5

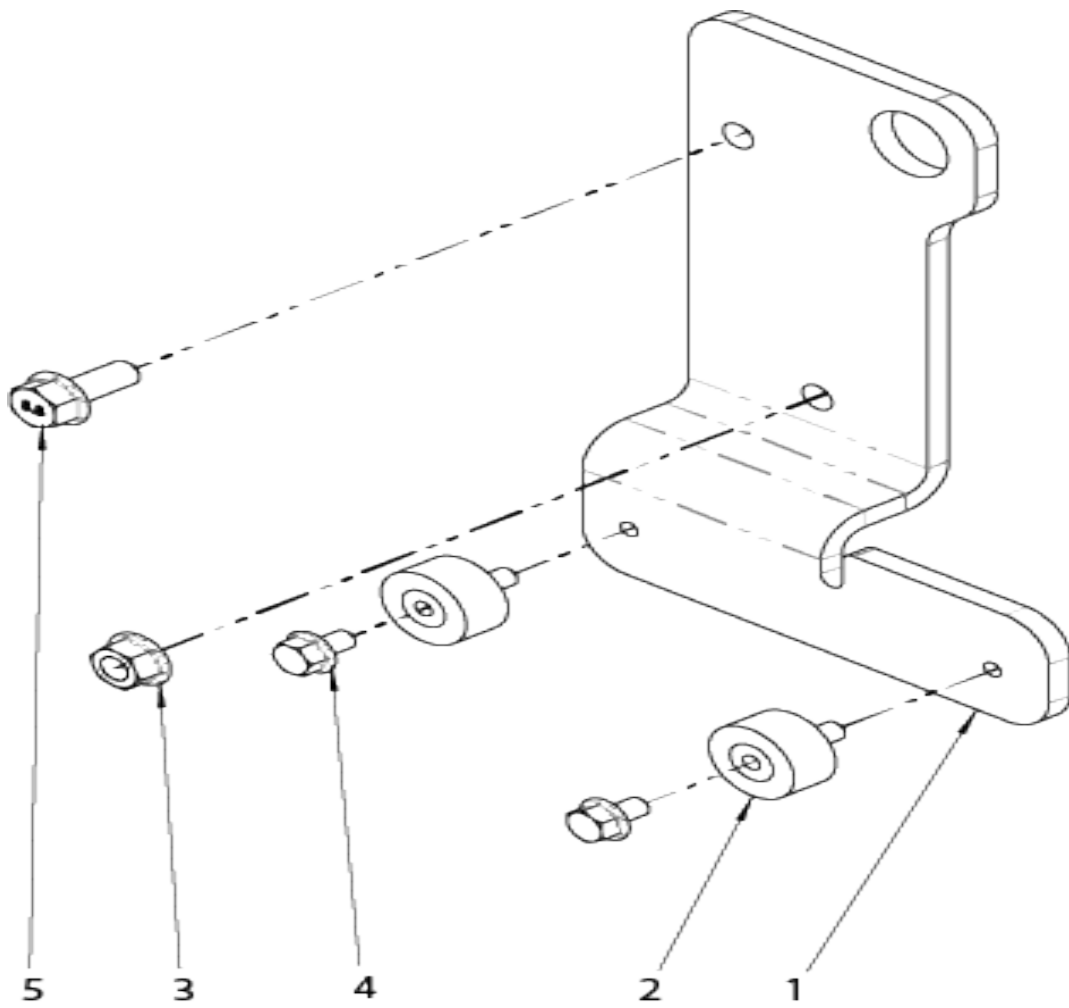
EXHAUST MOUNTING



Z38020849

Call Out Number	Part Number	Part Description	Qty
1	Z33500669	GASKET, E/MNFLD	1
2	Z35000021	NUT, FLANGE	3
3	Z35000903	STUD, EXHAUST	3

LIFTING/FUSE BOX BRACKET



Z38020916

Call Out Number	Part Number	Part Description	Qty
1	Z30100439	BRACKET, LIFTING EYE	1
2	Z32502664	ISOLATOR	2
3	Z35000021	NUT, FLANGE	1
4	Z35000449	SCREW	2
5	Z35000532	BOLT	1