

- Load Capacity 4,000-5,000 lbs.
- Lift Height 185"
- 43.7" Free Lift
- Triple Mast
- Tilt 6°/6°
- Side Shift
- 4th Valve Function
- Solid Pneumatic Tires
- Mitsubishi 4EG
- MAX Driving Speed 11.8 MPH



EK20TLP & EK25TLP ***Counterbalanced Diesel FORKLIFT***

Superior quality, maneuverable, compact, and durable for all your material handling applications. Ideal for small aisles and areas.

WEIGHT CAPACITY: 4000-5000 lbs. @ 24" load center

LIFT HEIGHT: 185"

FORKS: 42.1"x4.8"x1.5"

MAST HEIGHT: lowered 83", lifted 225"

TURNING RADIUS: 85.4"-88.1"

FREE LIFT: 43.7"

SIDE SHIFT – 3 Way Valve

SPEED TRAVEL: Unloaded 11.8 MPH/

Loaded 10.6MPH

Lifting Speed: Loaded 21.6 in/s., unloaded 22.8 in/s.

WHEELS: Solid Pneumatic Tires

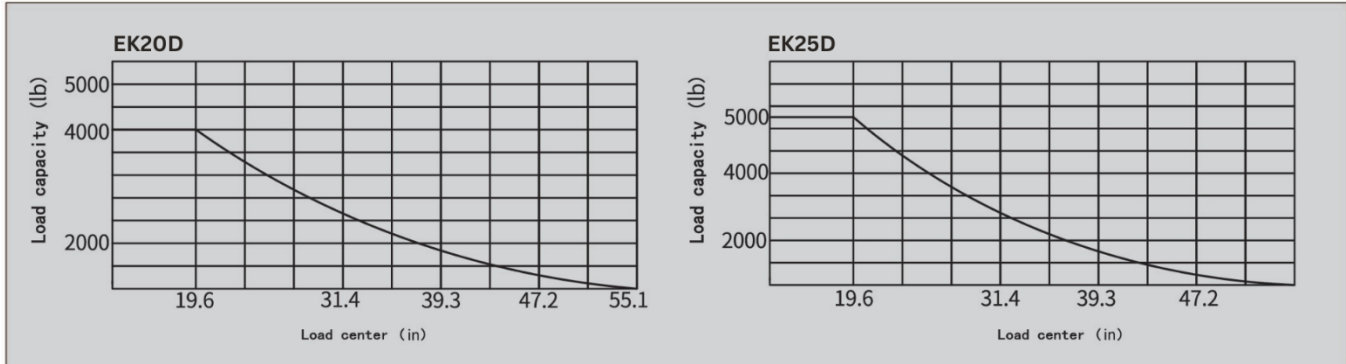
Mitsubishi 4EG Engine

BRAKES: Service brake Hydraulic Foot Pedal, Parking Brake Mechanical-hand Lever

LIGHTING: LED Headlights, rear lights Brake lights, strobe light and backup alarm.

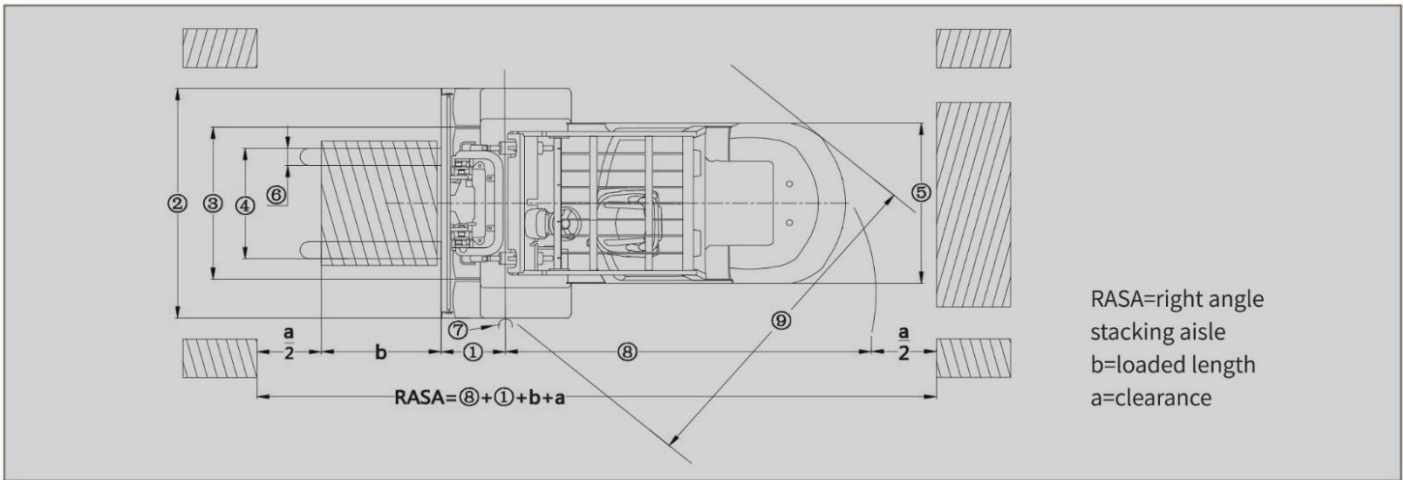
OPERATOR CONTROLS: EPS (Electric Power Steering), tilt lifting, lowering, side shifting forks, 4th function plumbed to carriage; horn functions; Led lighting; Battery Discharge indicator and travel speed Odometer.





Notes:

Vertical axis represents load capacity; Horizontal axis shows load center, Load center is determined from front face of the fork.
 Capacity based on a 39.3in cube load configuration with the center of gravity at the true center of the cube, and standard fork.
 The load capacity will be reduced while the mast tilt forward or loading with long fork or lifting transformable width of goods.
 Getting the load capacities at the various load centers timely via the load curve.



Specifications(front single tires).

Model	EK20D	EK25D
	(in)	(in)
①Front Overhang	15.5	18.3
②Total Width	42.1	45.2
③Front Track	35	38.1
④Fork Spread(outside)	7.8~36.2	9.6~40.1
⑤Rear Track	35.4	38.1
⑥Fork Width	4.8	4.8

MODEL #	CAPACITY	LIFT HEIGHT	FREE LIFT	MAST HEIGHT	SERVICE WEIGHT
EK20D	4000 LBS.	185"	43.7"	83"	7,716 LBS.
EK25D	5000 LBS.	185"	43.7"	83"	8,465 LBS.